

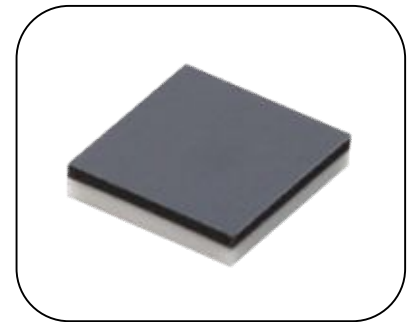
# HF MAGICSTRAP® Product Data Sheet

## LXMS33HCNK-171



### 1, General Descriptions

This product is NFC Forum type2 / ISO14443 TypeA compliant tag which includes embedding antenna.



#### [Features]

- Ultra miniature package (3.2 x 3.2 x 0.75mmMax)
- RF antenna is embedded within substrate
- Robust package design
- NFC forum type2 compliant
- Using NXP NTAG210, 384bits user memory
- Read range: 12mm (200mW output power, 37 x 54mm antenna)
- Can be attached to a wide range of objects
- Operating temperature -40°C ~ +85°C
- 100% green material for RoHS compliance

### 2, Block Diagram

Figure.1 shows block diagram of this product.

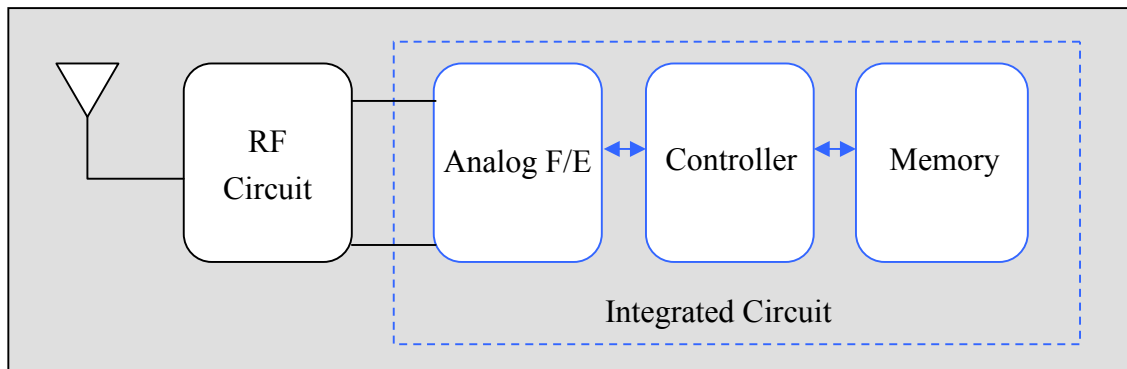
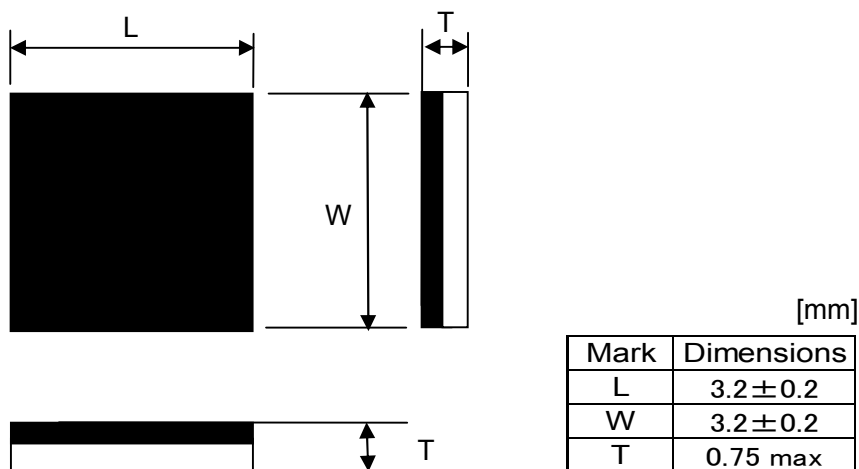


Fig1. Block diagram

**3, Dimension**



**Fig.2 Package Dimension**

**4, Example of Electrical Performance**

12mm of Read range\*

\*Reader/Writer : TI TRF7960 Reference Board

Reader/Writer antenna : 37x54mm on TI TRF7960 Reference Board

Output Power of Reader/Writer : 200mW

# HF MAGICSTRAP® Product Data Sheet LXMS33HCNK-171



## 5. Packing Information

This product is supplied by tape and reel package

5-1. Quantity per reel

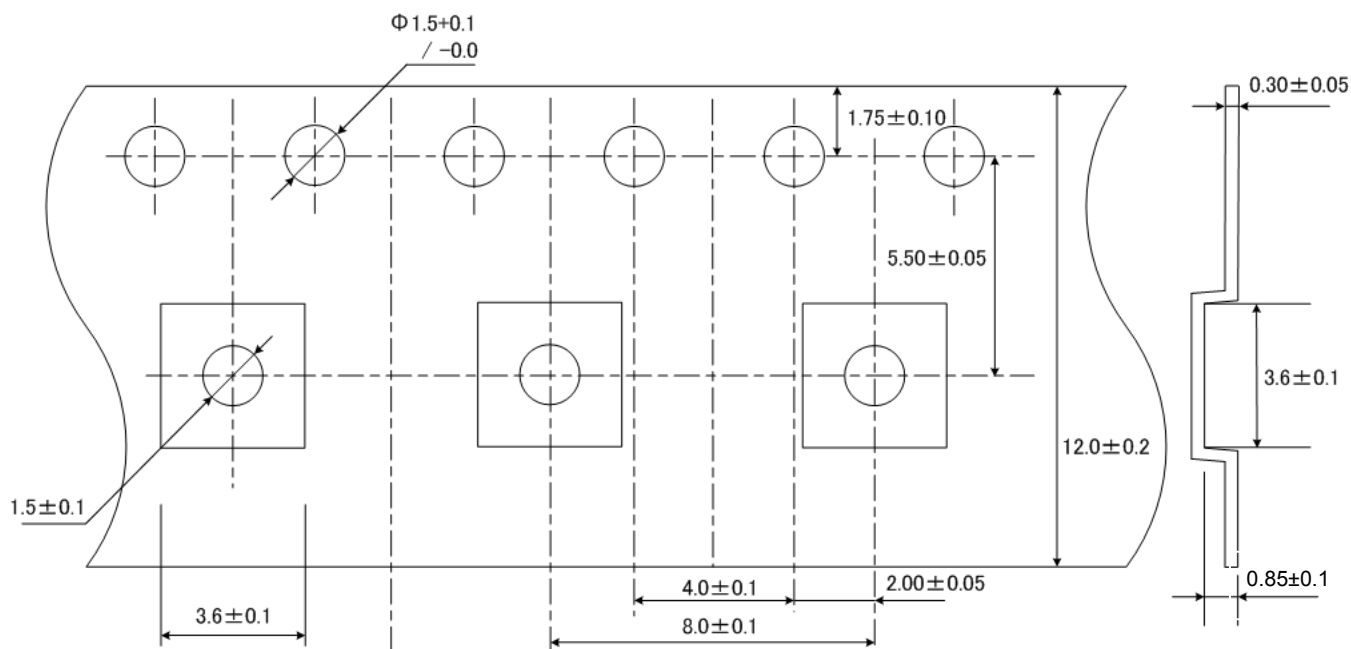
6,000pcs

5-2. Minimum order quantity

6,000pcs

5-3. Tape and Reel Packing

(1) Dimensions of Tape ( Plastic tape )

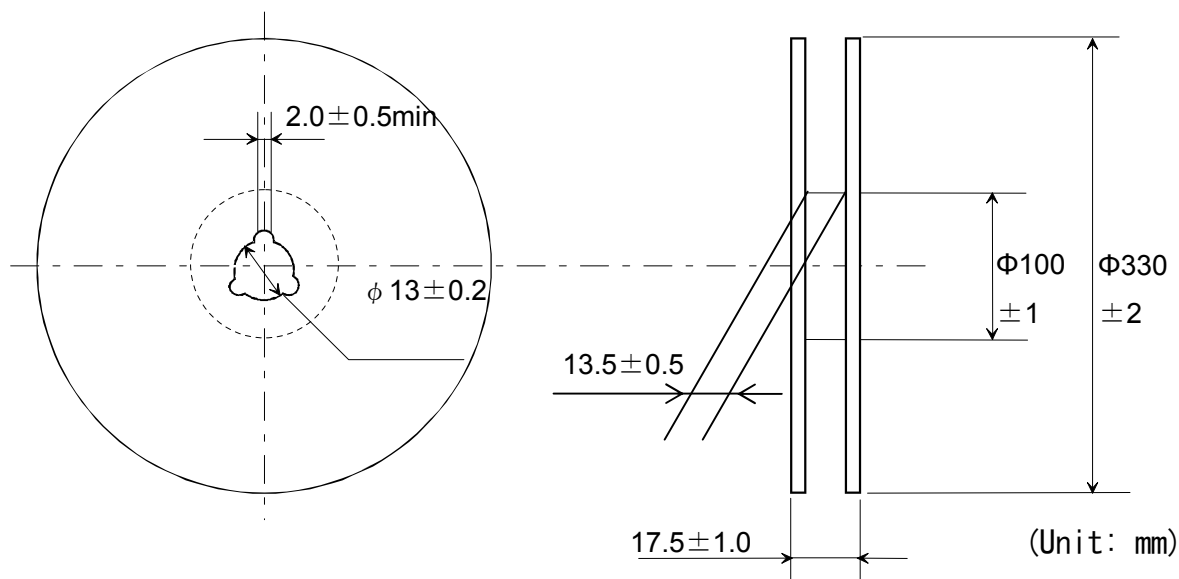


All Rights Reserved, Copyright© Murata Manufacturing Co., Ltd.  
Tentative/Confidential

# HF MAGICSTRAP® Product Data Sheet LXMS33HCNK-171



## (2) Dimensions of Reel



## 6. Contact window

URL : <http://www.murata.com/products/rfid/index.html>

" MAGICSTRAP® " is the registered trademark of Murata Manufacturing. Co., Ltd. in Japan.

For any inquiries/queries, please feel free to contact us.

All Rights Reserved, Copyright© Murata Manufacturing Co., Ltd.  
Tentative/Confidential