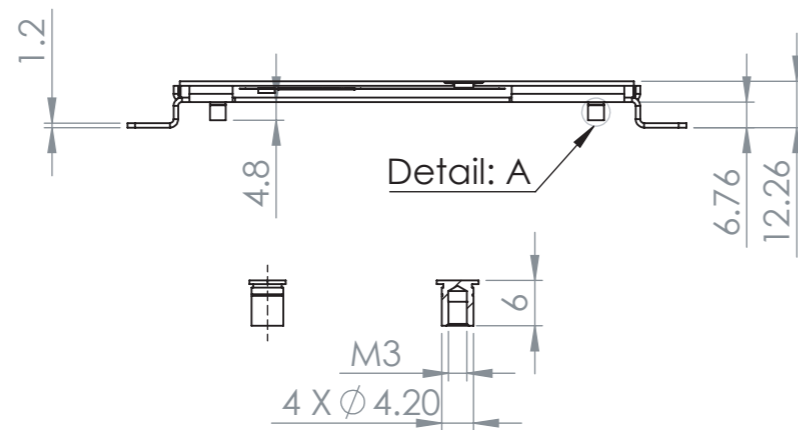
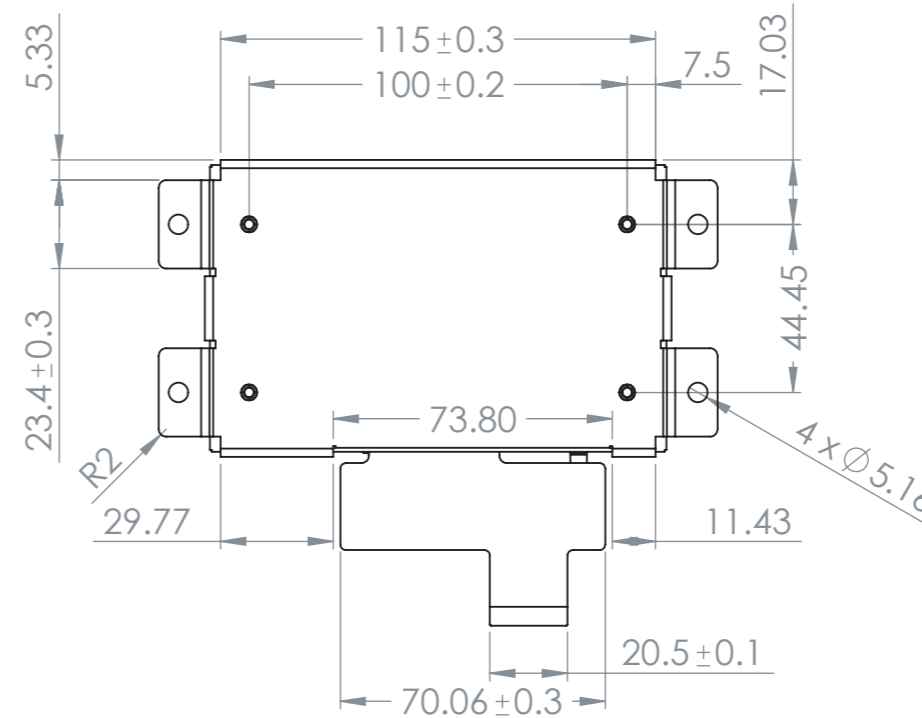
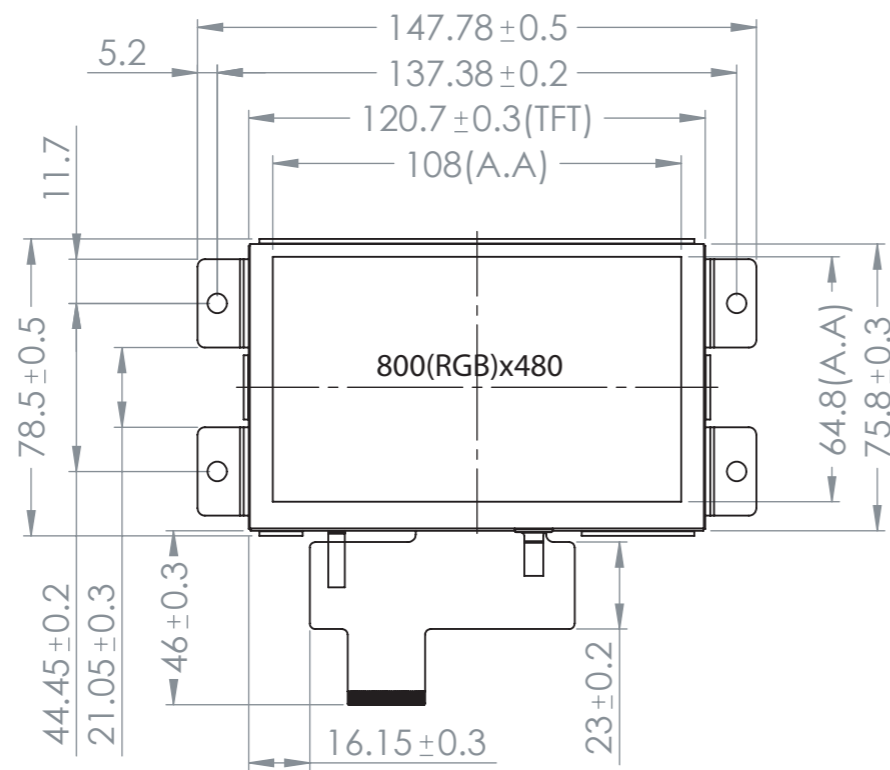


SYMBOL	REVISION	DATE



Detail: A
1:1
Part# BS04-M3-6 or Equivalent

NOTES (Mounting Bracket):

- MATERIAL: SGLCC
- THICKNESS: 1.2mm
- 4x Mounting Holes, compatible with Rack Unit (RU) spacing
- 4x Blind Threaded Standoffs (M3) on back side, suitable for Custom PCB assembly

This drawing is for mechanical mounting information only. Detailed display specifications can be viewed by downloading the full datasheet for the 5.0" TFT, accessible by the link below:

<http://www.newhavendisplay.com/specs/NHD-5.0-800480TF-ATXL-T.pdf>

STANDARD TOLERANCES (UNLESS OTHERWISE SPECIFIED)	NEWHAVEN DISPLAY INTERNATIONAL		
	DRAWING/PART NUMBER: NHD-5.0-800480MB-ATXL-T		
LINEAR: ±0.3 mm	DRAWN BY: N. Patel		REVISION: 1.0
UNLESS OTHERWISE SPECIFIED	CHECKED BY: M. LaVine	APPROVED BY: M. LaVine	SIZE: A3
- DIMENSIONS ARE IN MILLIMETERS	DRAWN DATE: 12/5/17	CHECKED DATE: 12/7/17	SCALE: 1:2
- THIRD ANGLE PROJECTION	DO NOT SCALE DRAWING		SHEET 1 OF 1
THIS DRAWING IS SOLELY THE PROPERTY OF NEWHAVEN DISPLAY INTERNATIONAL, INC. THE INFORMATION IT CONTAINS IS NOT TO BE DISCLOSED, REPRODUCED OR COPIED IN WHOLE OR PART WITHOUT WRITTEN APPROVAL FROM NEWHAVEN DISPLAY.			