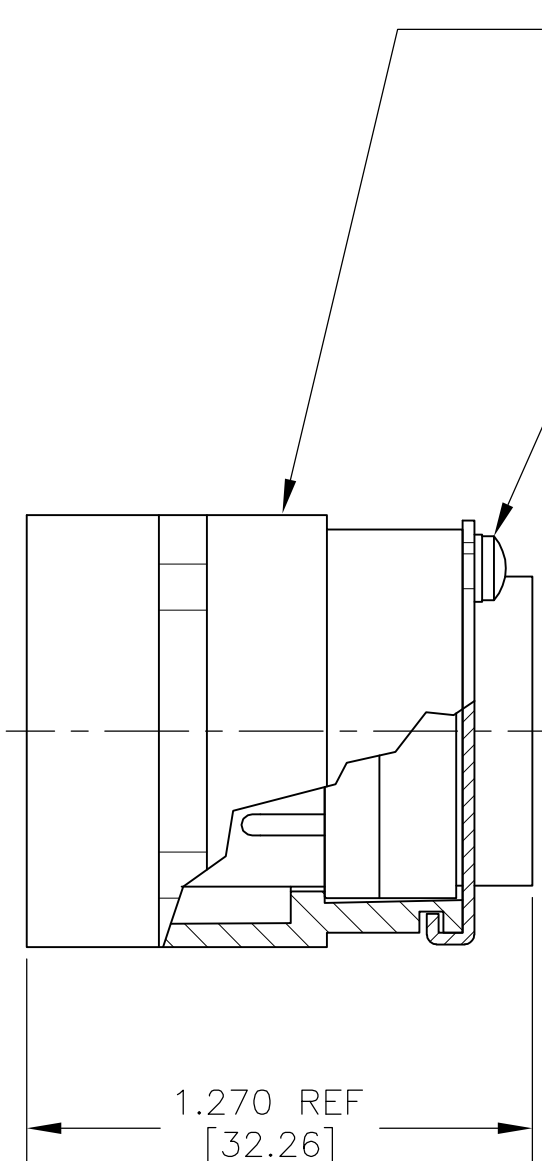
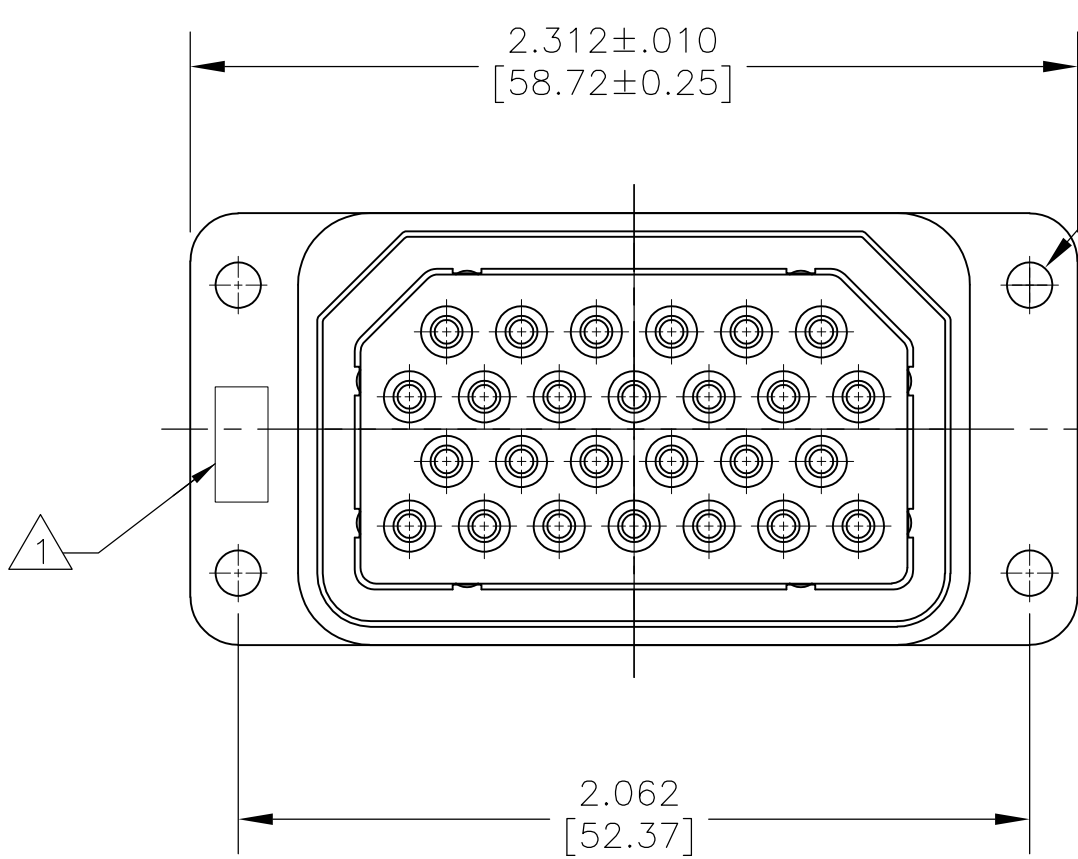
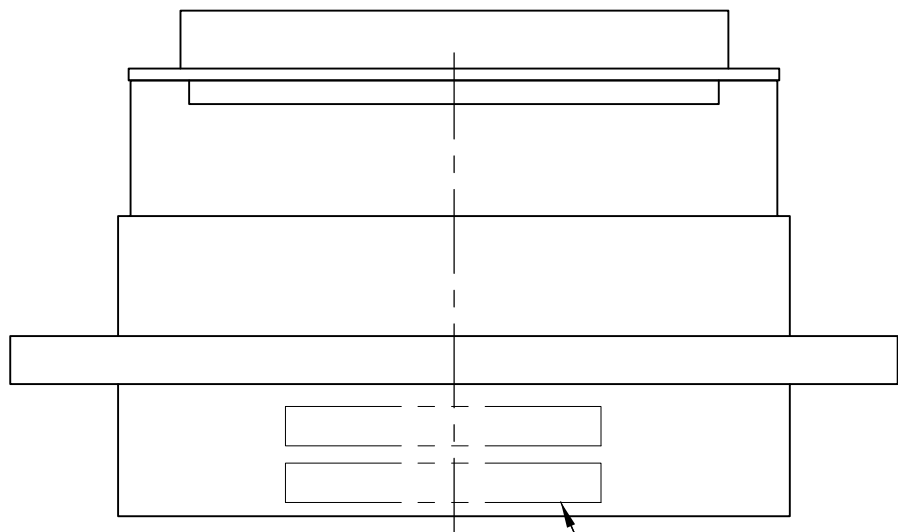


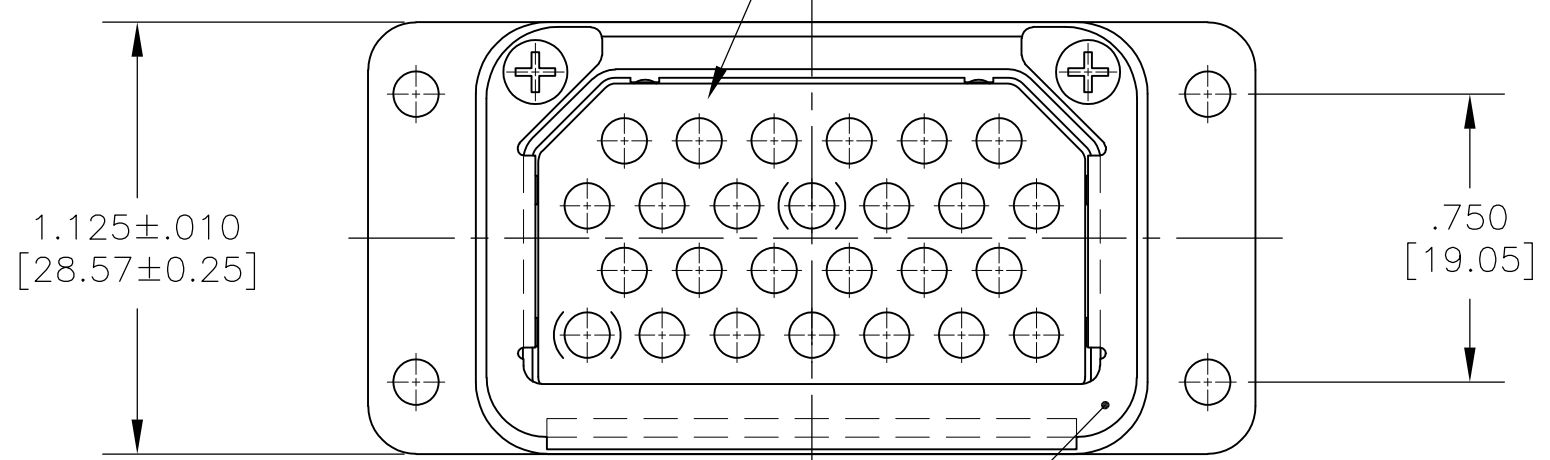
THIS DRAWING IS UNPUBLISHED. RELEASED FOR PUBLICATION  
 © COPYRIGHT - By - ALL RIGHTS RESERVED.

LOC		DIST		REVISIONS			
P	LTR	DESCRIPTION		DATE	DWN	APVD	
-	-	A	RELEASE	3-13-14	CT	DE	



RECEPTACLE SHELL  
 MATERIAL: ALUMINUM ALLOY  
 FINISH: CAD PLATE, YELLOW CHROMATE

SCREWS AND LOCKWASHERS  
 MATERIAL: STAINLESS STEEL  
 FINISH: PASSIVATED



RETENTION PLATE  
 MATERIAL: STAINLESS STEEL  
 FINISH: PASSIVATED

26 POSN PIN INSERT  
 MATERIAL: EPOXY MLDG COMPOUND

- △ AMP MARKED ON THIS SURFACE
- △ TE PART NUMBER AND DATE CODE AND DESCRIPTIVE NUMBER MARKED ON THIS SURFACE

1218203-1  
 PART NUMBER

THIS DRAWING IS A CONTROLLED DOCUMENT.		DWN C.C.THOMAS 3-114	TE Connectivity	
DIMENSIONS: INCHES [mm]		CHK D. EABY 3-13-14	NAME RECEPTACLE ASSEMBLY, ARINC 404, RMA1R26P-00 (201)	
TOLERANCES UNLESS OTHERWISE SPECIFIED:		APVD D. EABY 3-13-14	SIZE A2	CAGE CODE 00779
0 PLC ± -		PRODUCT SPEC	DRAWING NO 1218203	RESTRICTED TO
1 PLC ± -		APPLICATION SPEC	SCALE 2:1	SHEET 1 of 1
2 PLC ± -		WEIGHT -	REV A	
3 PLC ± .005 [0.13]		CUSTOMER DRAWING		
4 PLC ± -				
ANGLES ± -				
FINISH SEE CALLOUTS				