

THIS DRAWING IS UNPUBLISHED.

RELEASED FOR PUBLICATION

20

© COPYRIGHT 20

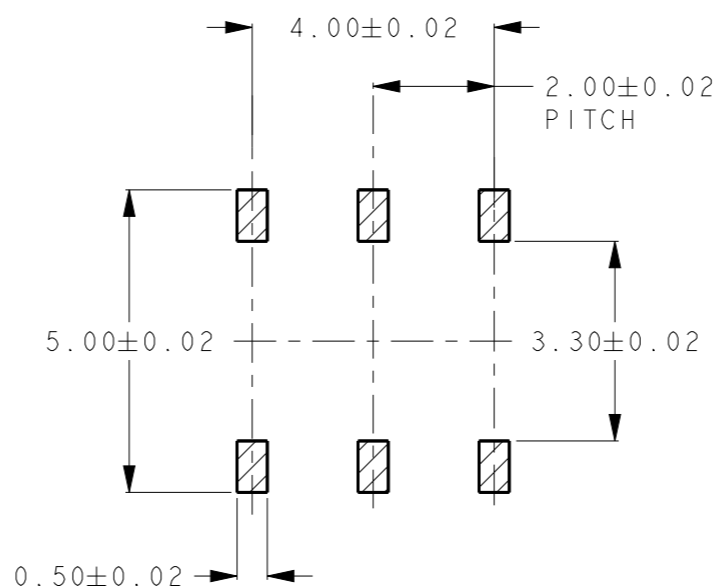
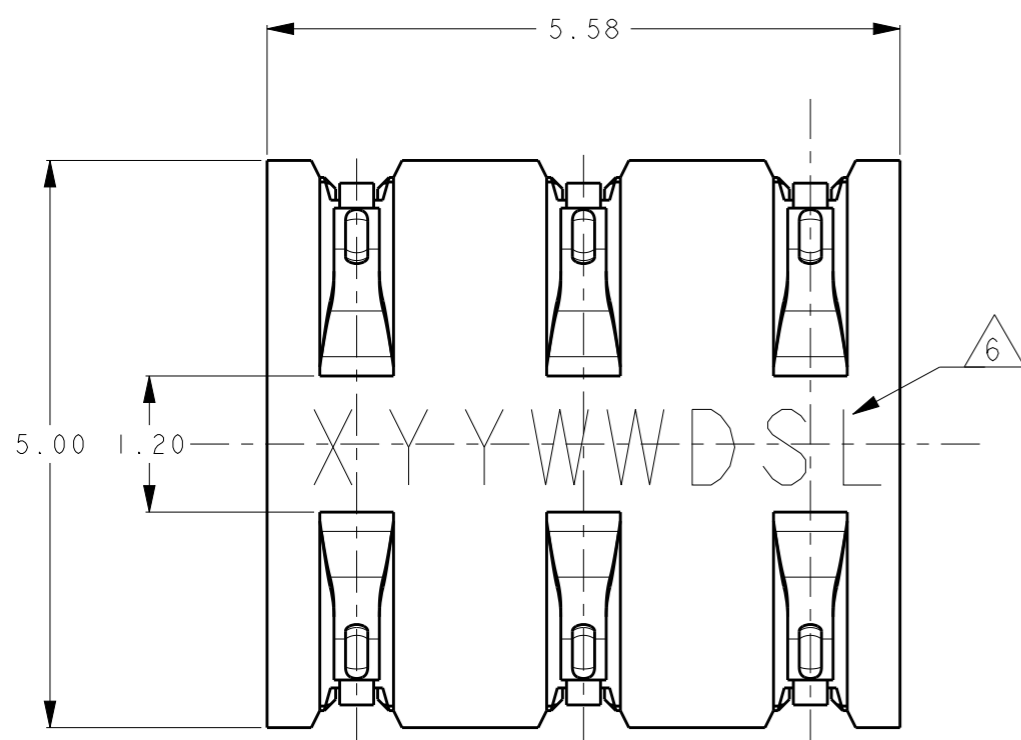
ALL RIGHTS RESERVED.

LOC
ES

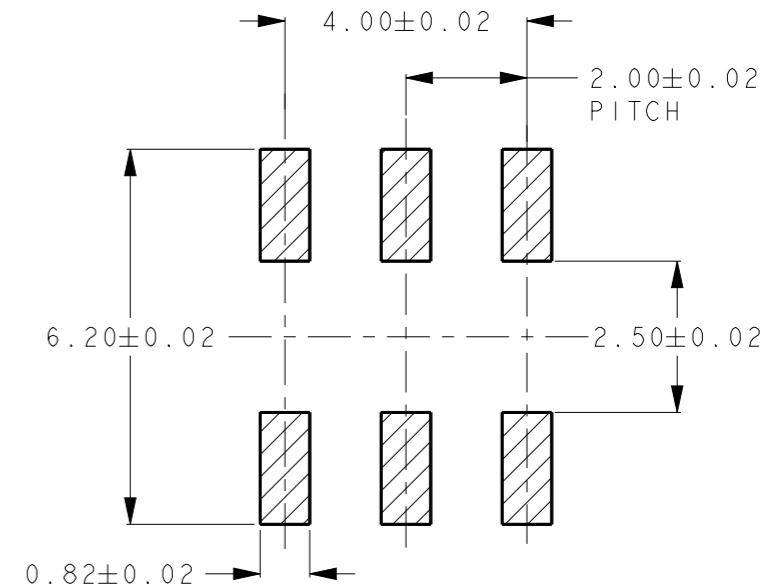
DIST

REVISIONS

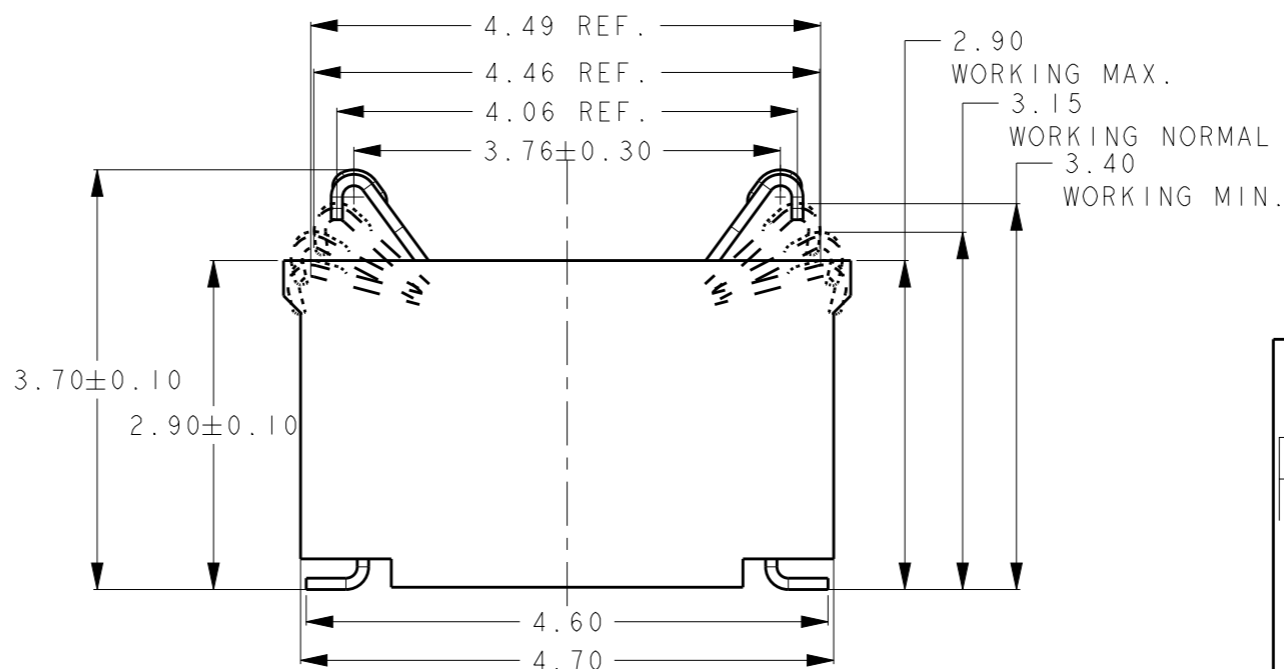
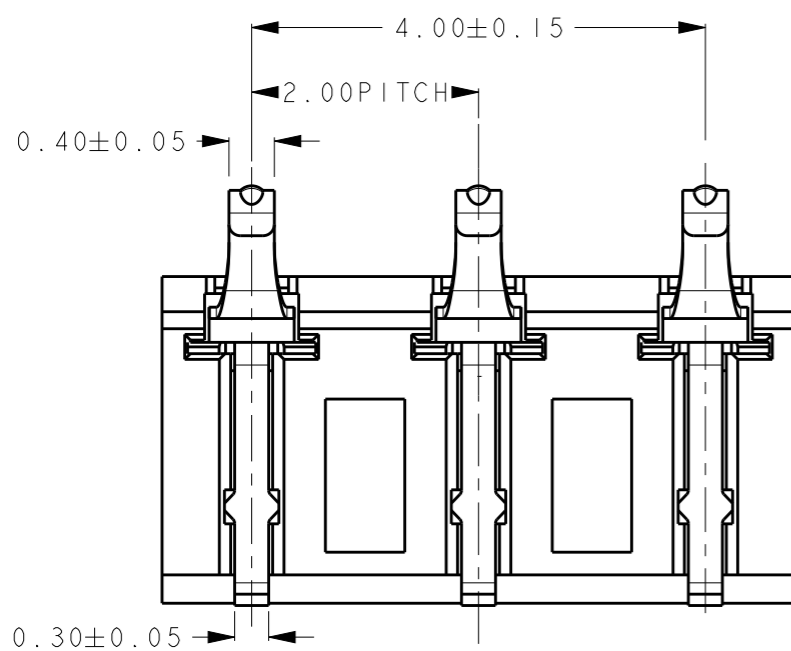
P	LTR	DESCRIPTION	DATE	DWN	APVD
	2	ADD D/C	15OCT2013	R.W	W.H



SCALE 8:1
RECOMMEND SOLDERING PWB LAYOUT
TOLERANCE: 0.05mm



SCALE 8:1
RECOMMEND MATING LAYOUT
TOLERANCE: 0.05mm



THIS PRINT IS
PRELIMINARY
UNQUALIFIED PRODUCT
CONTACT PRODUCT ENGINEERING
BEFORE USING THIS PRINT

NOTES:

- 2 TE PART NUMBER: 2199064-2
- MATERIAL
TERMINAL: COPPER ALLOY, THICKNESS 0.10mm.
HOUSING: HIGH TEMPERATURE THERMO PLASTIC
UL94V-0 BLACK
- 3 FINISH
TERMINAL: 0.10-0.2 um GOLD PLATING ON CONTACT AREA,
1.25 um MIN. NICKLE UNDER PLATING,
GOLD FLASH PLATING ON SOLDERING AREA.
- 4 COPLANARITY: 0.08 MAX. AMANG ALL SOLDER TAILS.
- 5 PACKAGING: TAPE & REEL.
- 6 DATE CODE: "XYWWD SL"
VERSION NO. XX = VI
FOR EXAMPLE: P1, VI, A1.
P = PROTO TOOL; V = PRODUCTION TOOL; A = MASS APPROVED.
YYWWD = PRODUCTION DATE (YEAR, WEEK, DAY).
S = SHIFT (D=DYA, N=NIGHT); L = LINE NUMBER.

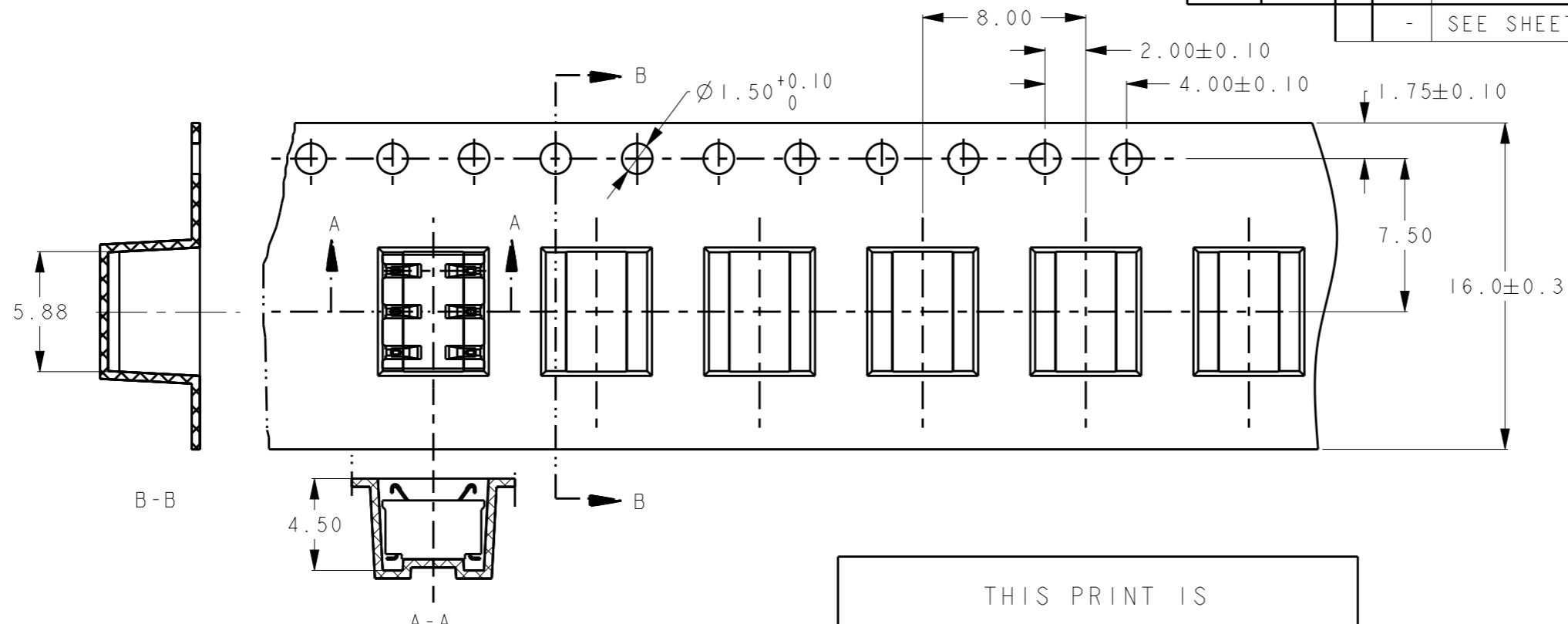
THIS DRAWING IS A CONTROLLED DOCUMENT.

DIMENSIONS: mm	TOLERANCES UNLESS OTHERWISE SPECIFIED: ±0.20
	0 PLC ±
	1 PLC ±
	2 PLC ±
	3 PLC ±
	4 PLC ±
	ANGLES ±5°
MATERIAL	FINISH
2	3

DWN	26MAR2013
RAY WANG	
CHK	26MAR2013
HE WENKE	
APVD	26MAR2013
STEVEN YAO	
PRODUCT SPEC	
108-115048	
APPLICATION SPEC	
-	
WEIGHT	0.108
CUSTOMER DRAWING	

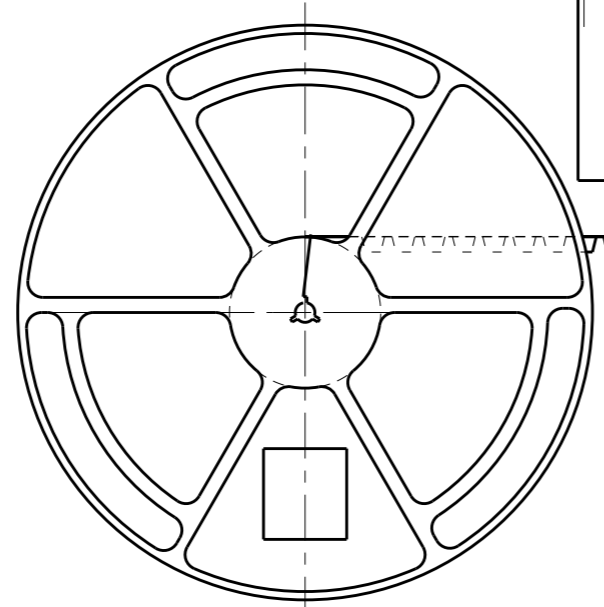
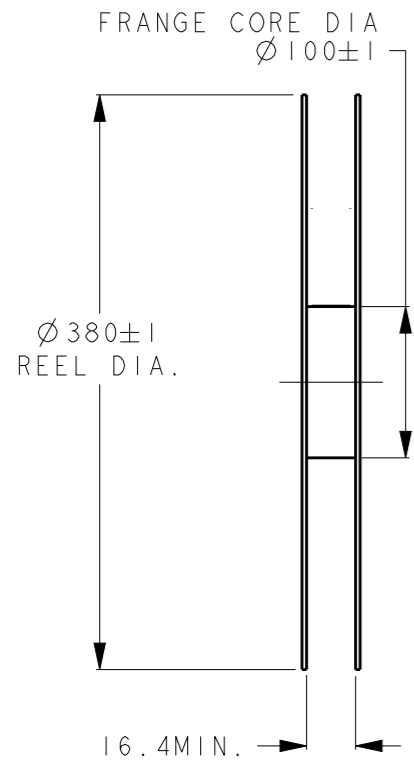
TE Connectivity		NAME	
		ONE PIECE BtoB CONNECTOR 6 PINS, H3.15, TWO ROWS	
SIZE	CAGE CODE	DRAWING NO	RESTRICTED TO
A300779	C-2199064		-
SCALE 20:1		SHEET 1 OF 1	REV 2

SEE SHEET 1



THIS PRINT IS
PRELIMINARY
 UNQUALIFIED PRODUCT
 CONTACT PRODUCT ENGINEERING
 BEFORE USING THIS PRINT

165° 21.2' ~ 180°
 PEELING ANGLE
 0.1~1.3N (300mm/min ± 10%)
 PEELING STRENGTH



40mm MIN. WITHOUT CHARGE
 WITH PRODUCT CHARGE 2400PCS
 100mm MIN. WITHOUT CHARGE
 SEALED WITH COVER TAPE

- NOTES:
 1. TAPE MATERIAL: P.S; THICKNESS 0.4mm.
 2. QUANTITY PER REEL: 2400PCS.

THIS DRAWING IS A CONTROLLED DOCUMENT.		DWN	26MAR2013	STE TE Connectivity
		CHK	26MAR2013	
		APVD	26MAR2013	
DIMENSIONS: mm		TOLERANCES UNLESS OTHERWISE SPECIFIED: ±0.20		NAME
		0-PLC ±		ONE PIECE B to B CONNECTOR 6 PINS, H3.15, TWO ROWS
		1-PLC ±		
		2-PLC ±		
		3-PLC ±		
		4-PLC ±		APPLICATION SPEC
		ANGLES ±5°		SIZE
MATERIAL		FINISH		CAGE CODE
				DRAWING NO
				RESTRICTED TO
		WEIGHT		A300779
		CUSTOMER DRAWING		SCALE 20:1
				SHEET 2 OF 1
				REV 2