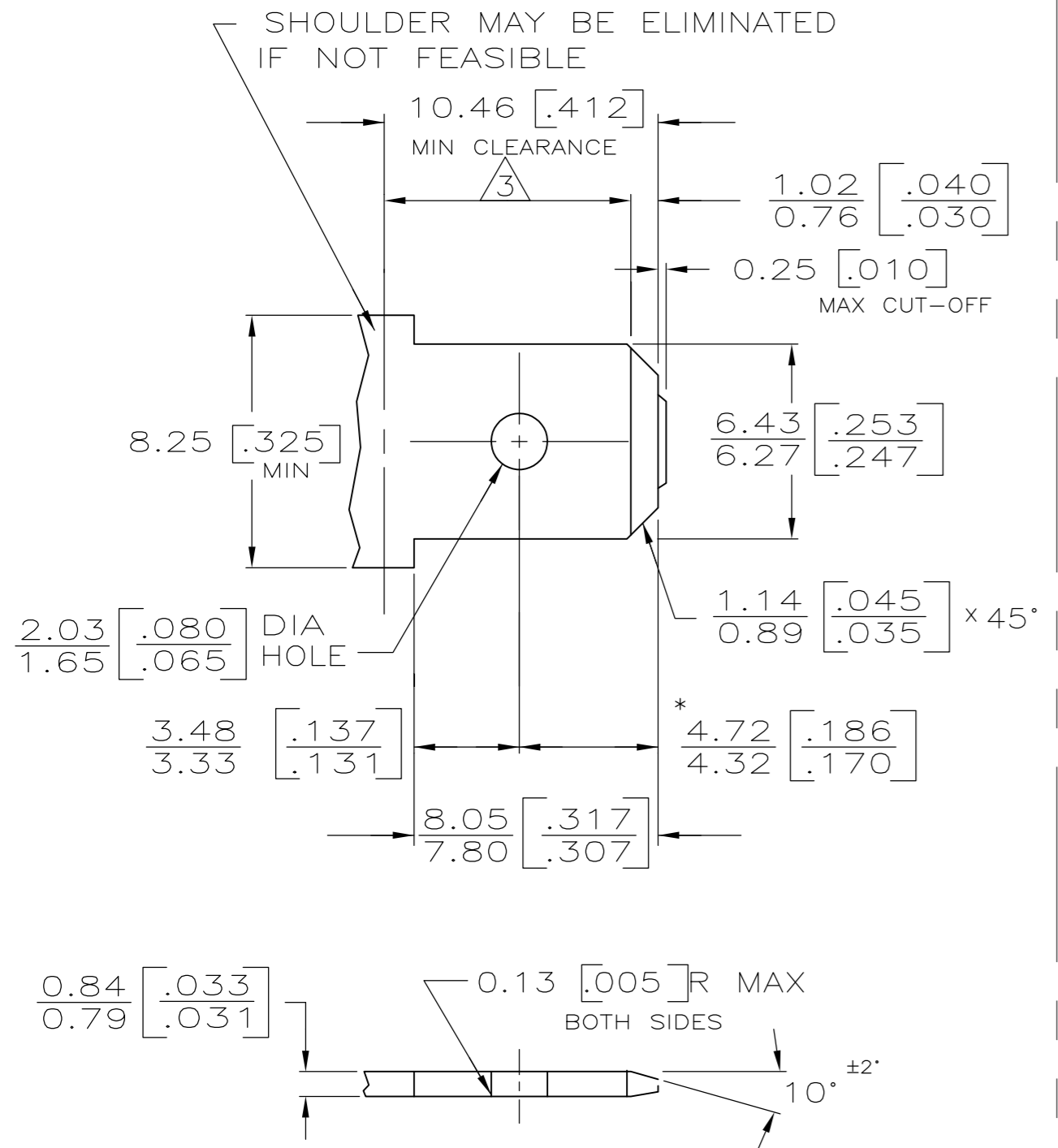


THIS DRAWING IS UNPUBLISHED. RELEASED FOR PUBLICATION
 © COPYRIGHT - By - ALL RIGHTS RESERVED.

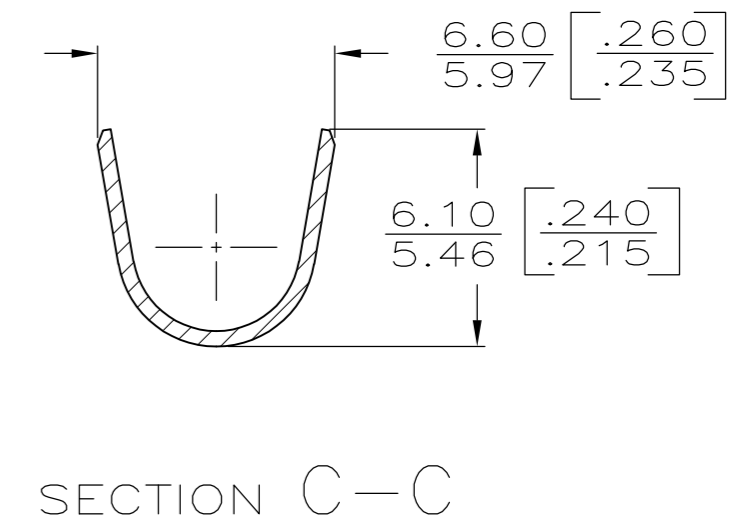
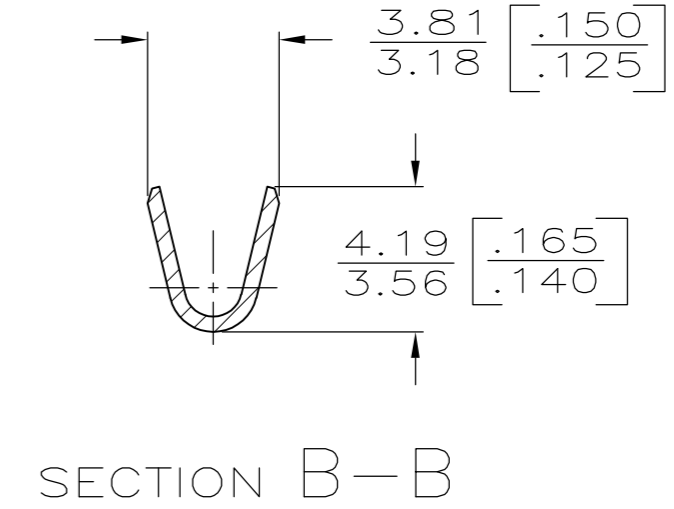
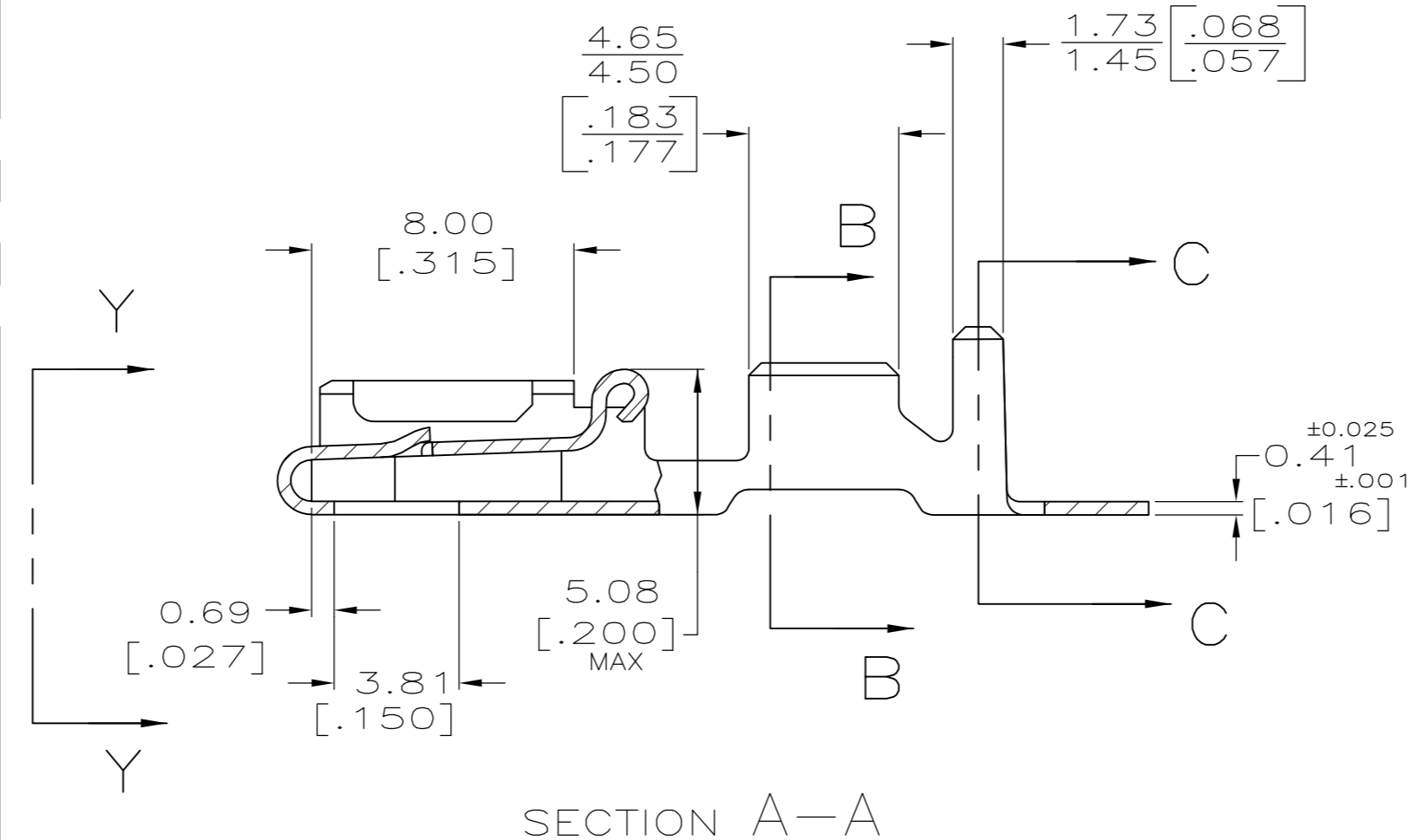
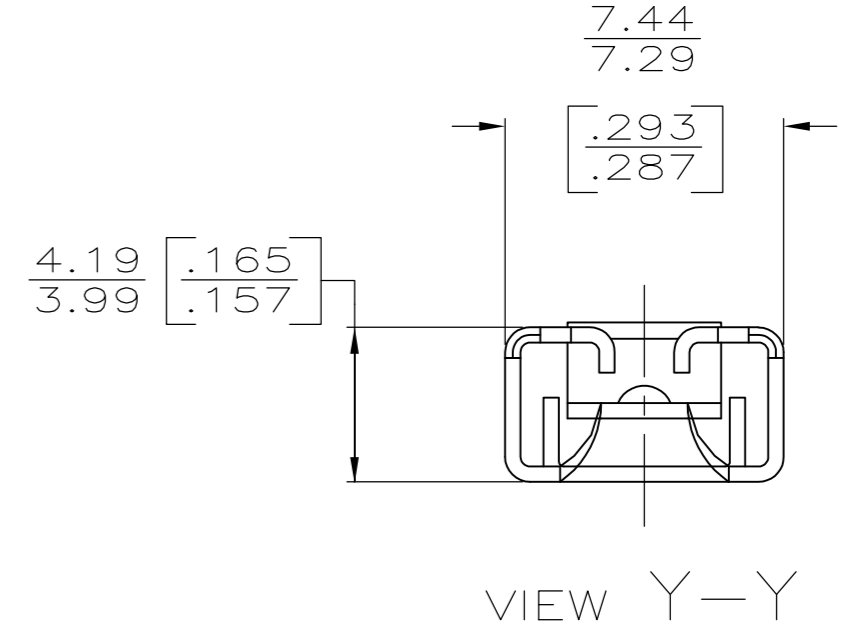
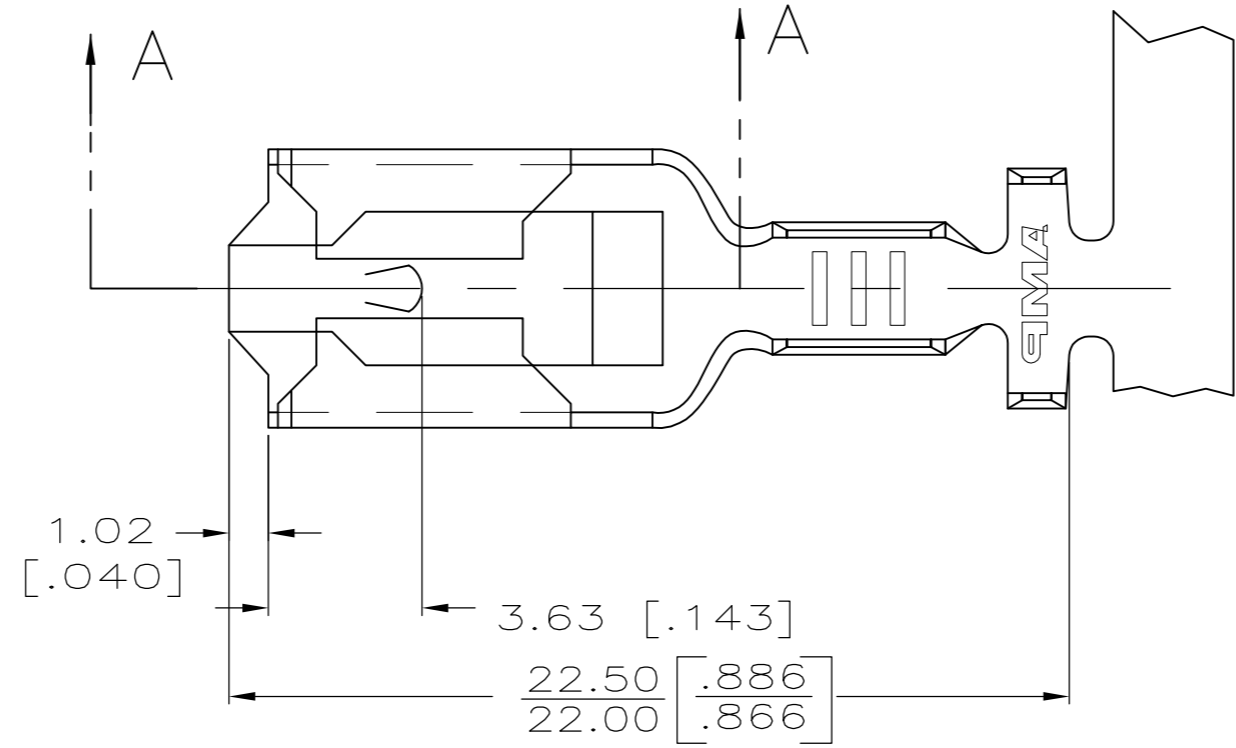
LOC		DIST		REVISIONS			
P	LTR	DESCRIPTION		DATE	DWN	APVD	
AF	50	D		REVISED PER ECR-12-013486	09JAN13	KH	KR

SUGGESTED MATING TAB



- MATL: 1/2H BRASS OR NICKEL PL STEEL.
 - NO BURRS PERMISSIBLE AT HOLE.
 - MUST BE FLAT WITHIN 0.076 [.003] OVER THIS LENGTH.
 - TIN PLATING IS REQUIRED ON BRASS WHEN TERMINAL TEMP. IS OVER 225° F
 - HOLE MUST BE SYMMETRICAL ABOUT TAB C WITHIN 0.076 [.003]
- * TO BE USED ONLY WHEN SHOULDER IS ELIMINATED.

1 CONTINUOUS STRIP ON REELS.



3.43-4.95 DIA [.135-.195] DIA	0.7-2.0mm ² [#18-#14] AWG	0.81 [.032]	63812-1
INSULATION RANGE	WIRE SIZE	MATING TAB THK ±0.025 [.001]	PART NO.

F OR O	5.33 [.210]	5.84 [.230]	F	2.79 [.110]	1.88 [.074] [#14]	1.65 [.065] [#16]	1.47 [.058] [#18]	±.051 [±.002] HEIGHT	WIRE	THIS DRAWING IS A CONTROLLED DOCUMENT. DIMENSIONS: mm [INCHES] TOLERANCES UNLESS OTHERWISE SPECIFIED: 0 PLC ± - 1 PLC ± - 2 PLC ± 0.25 [.010] 3 PLC ± - 4 PLC ± - ANGLES ± - MATERIAL BRASS FINISH TIN PLATE	DWN JR RUTH 10/14/94 CHK MS FEHER 10/14/94 APVD D REINER 10/14/94 PRODUCT SPEC APPLICATION SPEC WEIGHT - CUSTOMER DRAWING	TE TE Connectivity RECEPTACLE, POSITIVE-LOCK, MK I, 6.35 [.250] SERIES SIZE A2 CAGE CODE 00779 DRAWING NO C-63812 SCALE 5:1 SHEET 1 OF 1 REV D	RESTRICTED TO
TYPE INSUL BARREL CRIMP	WIDTH	STRIP LENGTH ±0.38 ±[.015]	TYPE WIRE BARREL CRIMP	WIDTH									