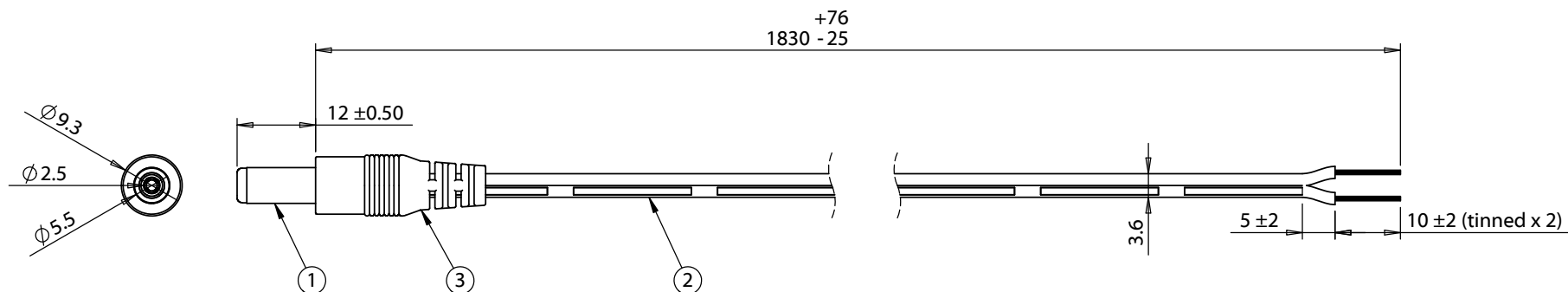


ITEM NO.	PART NUMBER	DESCRIPTION	QTY.	NOTES
1	50-00130	Connector, dc plug, 5.5x2.5xL22.5 mm, molding style, brass nickel plated	1	
2	30-00003	Wire, 2C BC, 24 AWG, UL2468, 300V, 80C, 3.6 mm, VW-1, PVC, 76A	1	
3	24-00043	Overmold, PVC, black	1	



Wiring Diagram	
50-00130	wire color
center	black with stripe
sleeve	black

Revision:	Date:	Description:	Prepared:	Notes:
A	1/19/2009	Re-issue CUI spec as Tensility		RoHS and REACH compliant
A1	1/15/2009	Updated tolerances	Verified:	Function test: no open, no short circuit, no intermittent
A2	8/30/2011	Updated description, connector, and wire information	Dimensions are in millimeters. Tolerances: X: ± 0.5 mm X.X: ± 0.3 mm X.XX: ± 0.05 mm	Description: Cable, 1830 mm, 5.5x2.5x12 mm, 50-00130 dc plug to stripped tinned, 24 AWG, 30-00003 wire
A3	1/9/2014	Updated description		

TENSILITY

tel 1.541.323.3228 800 877.670.7118
fax 1.541.323.4202 web tensility.com

Size: A Part number: 053-0183R (CA-2184)

Scale: 1:1 Sheet 1 of 1