

PART NAME PLASTIBOX (STYLE F)

PART No. PS-11533

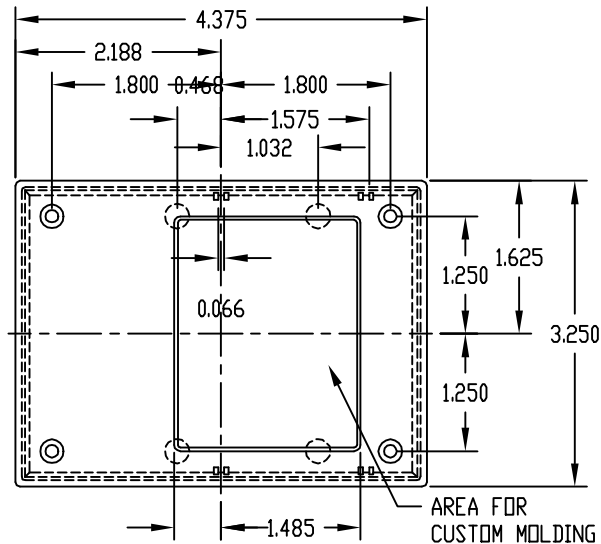
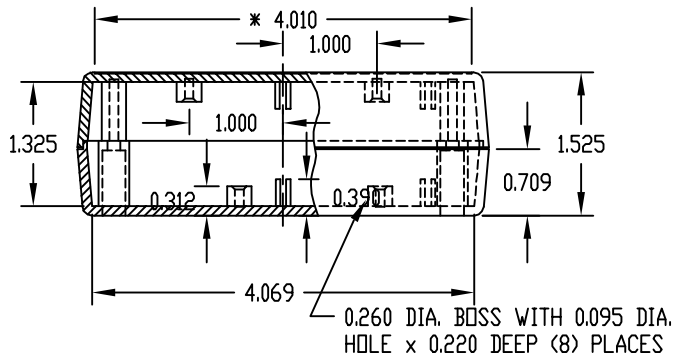
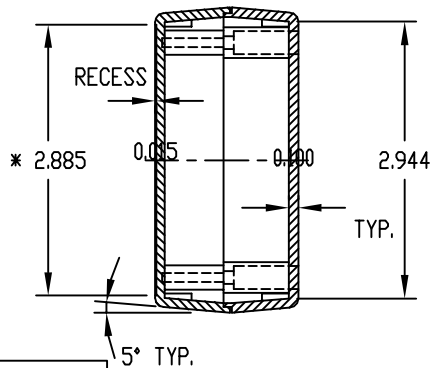
MATERIAL: HIGH-IMPACT ABS  
 COLOR: BLACK OR GRAY  
 FINISH: TEXTURED BODY WITH  
 SMOOTH TOP INSERT

FOUR (4) M3 x 9.2mm LG. SCREWS  
 SUPPLIED FOR ASSEMBLING TOP.  
 FOUR (4) NON-SKID PUSH-ON FEET SUPPLIED

\*-USABLE AREA ON TOP ALSO  
 AVAILABLE FOR CUSTOM MOLDING.

NOTE: ALL DIMENSIONS HAVE ±0.015 TOLERANCE  
 UNLESS OTHERWISE SPECIFIED.

MOUNTING BOSSES USE EITHER M2.5 METRIC  
 OR #4 STD. SHEET METAL SCREWS  
 x 3/16 LG. (NOT SUPPLIED)



REVISED 1-21-09

PART NAME PLASTIBOX (STYLE F)

PART No. 0.500 PS-11543

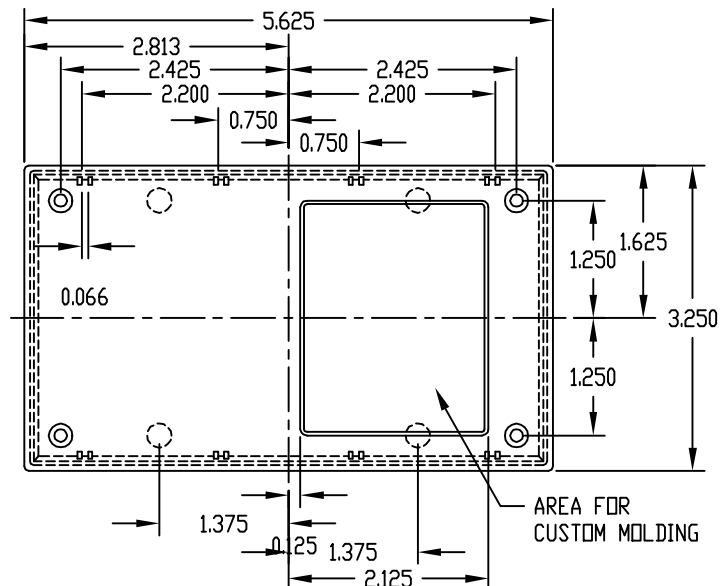
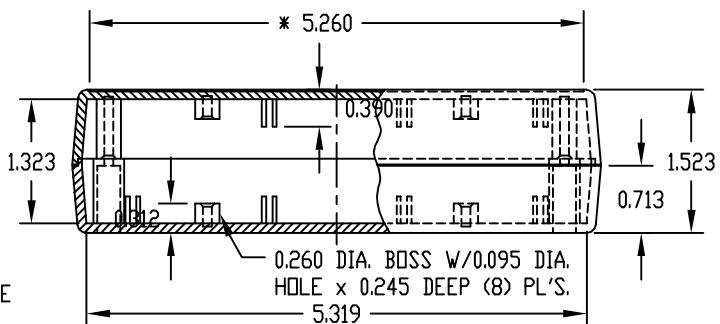
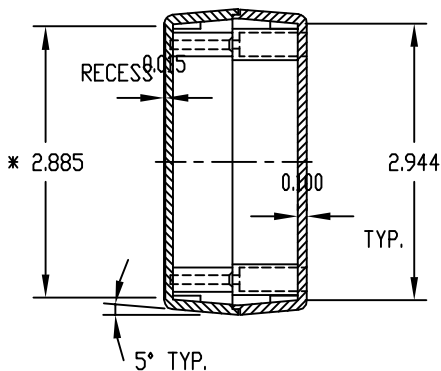
MATERIAL: HIGH-IMPACT ABS  
 COLOR: BLACK OR GRAY  
 FINISH: TEXTURED BODY WITH  
 SMOOTH TOP INSERT

FOUR (4) M3 x 9.2mm LG. SCREWS  
 SUPPLIED FOR ASSEMBLING TOP.  
 FOUR (4) NON-SKID PUSH-ON FEET SUPPLIED

\*-USABLE AREA ON TOP ALSO  
 AVAILABLE FOR CUSTOM MOLDING.

NOTE: ALL DIMENSIONS HAVE ±0.015 TOLERANCE  
 UNLESS OTHERWISE SPECIFIED.

MOUNTING BOSSES USE EITHER M2.5 METRIC  
 OR #4 STD. SHEET METAL SCREWS  
 x 3/16 LG. (NOT SUPPLIED)



REVISED 1-21-09