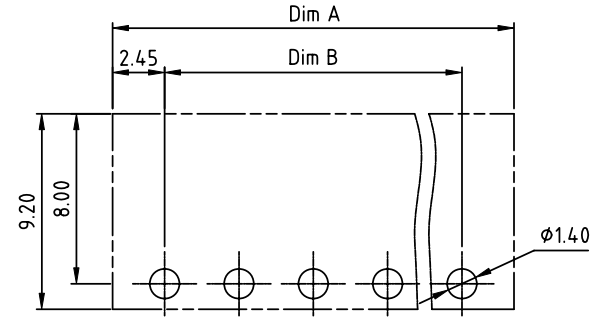
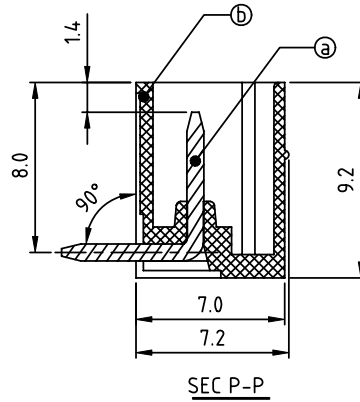
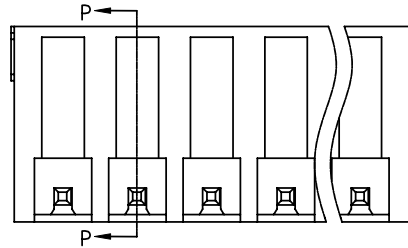
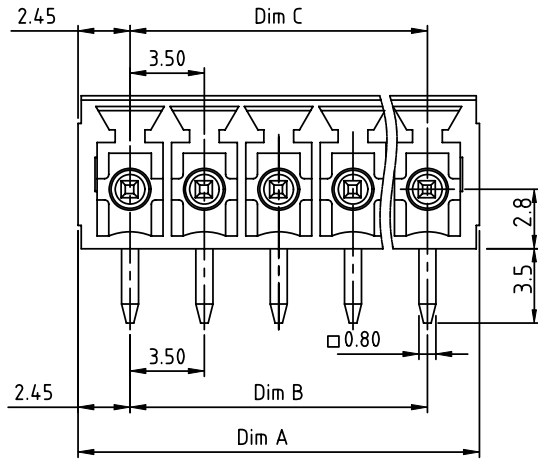


PRODUCT NUMBER	PITCH
OQxx12x100J0G	3.50 mm



RECOMMENDED P.C.B LAYOUT
TOP VIEW

Material:

- Item ① Male contact pin: Copper Tin plated
- Item ② Terminal housing: Thermoplastic (UL94V-0)

Electrical:

- Voltage rating: 300V/300V
- Current rating: 10A/10.5A
- Withstanding Voltage: 1.6 KV/2.5KV
- Operating temperature: -40°C to +115°C
- Soldering temperature: 260°C±5°C/5 Sec
- Safety Approval:

DIMENSION

Dim A	$(N-1) \times 3.5 + 4.90$
Dim B & C	$(N-1) \times 3.5$

N= Number of poles

Poles	Tolerance
2P-6P	±0.15
7P-12P	±0.20
13P-18P	±0.25
19P-24P	±0.30

PART NO.: OQ xx 1 2 x 1 00J0 G

No. of poles	Body Color	RoHS compliant (lead<4% in copper Alloy)
02 2 poles	0 Black (RAL9005)	
03 3 poles	2 Red (RAL3001/D)	
...	3 Orange(RAL2011/P)	
...	4 Yellow(RAL1018/A)	
24 24 poles	5 Green(RAL6018/T)	
	6 Blue (RAL5015/A)	
	8 Grey(RAL7035/D)	
	9 White(RAL1102)	
	C Green(RAL6018/U)	

mat'l. code		surface ASME Y14.5	tolerance ASME Y14.5	projection 	product family TERMINAL BLOCK
ltr	ecn no	dr	date	tolerances unless otherwise specified	title TERMINAL BLOCK
				angles $X \pm 0.5$	
				$X.X \pm 0.3$	PLUGGABLE SOCKET, RIGHT ANGLE
				$X^* \pm 1^*$	scale
dr	HANKE FENG	032614			dwg no
enr	HANKE FENG	032614			sheet 1 of 1
chr	SHI JUN	032614			size
appd	SHI JUN	032614			A4
sheet index	revision sheet	A	1		type CUSTOMER Drawing