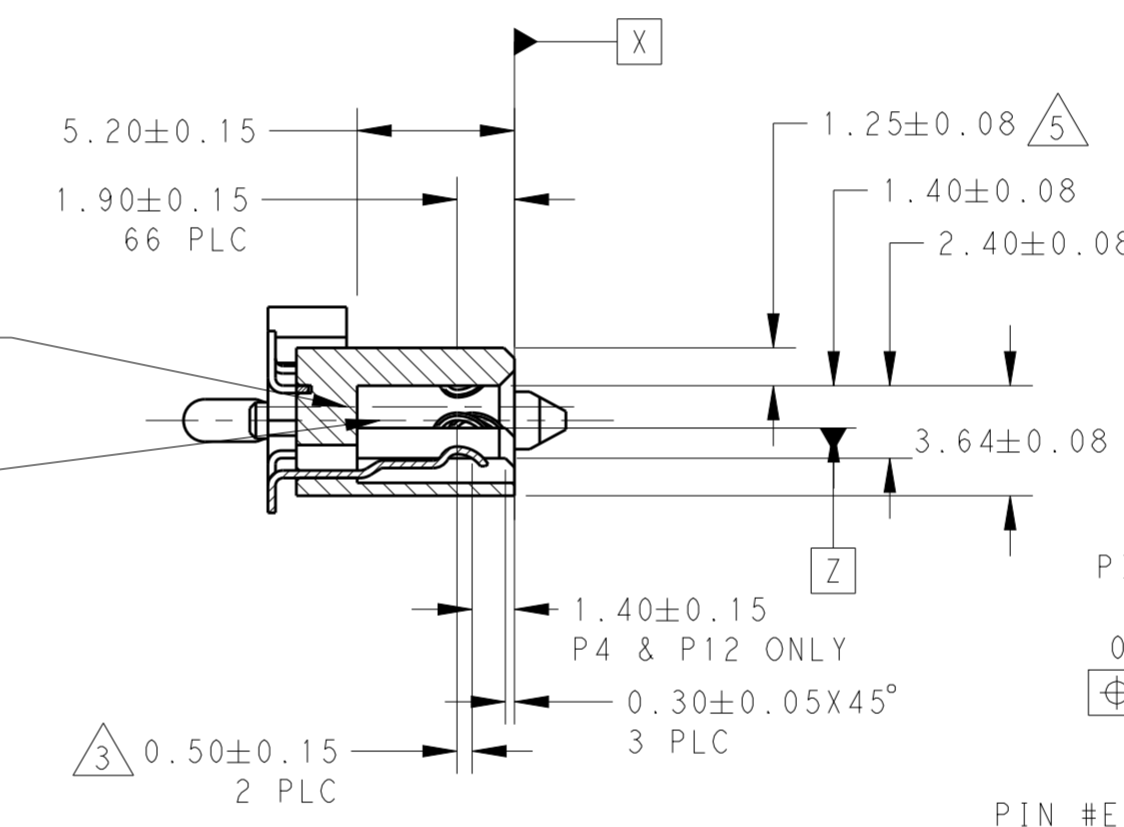
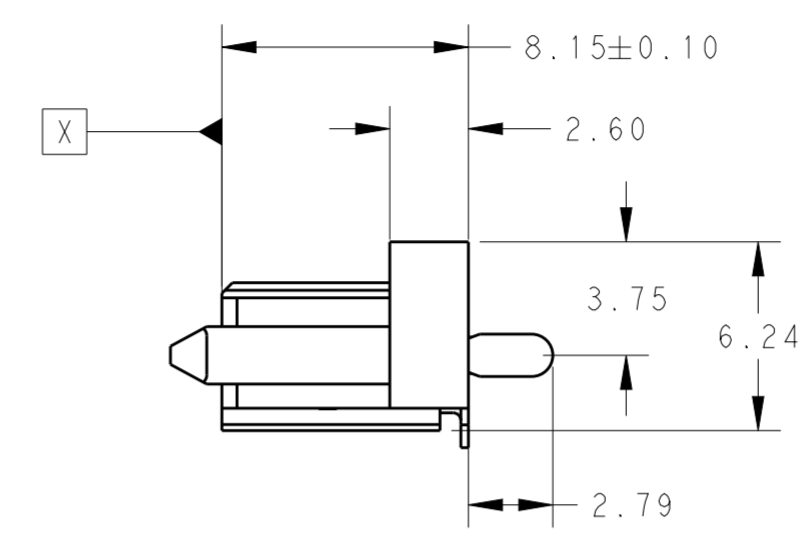
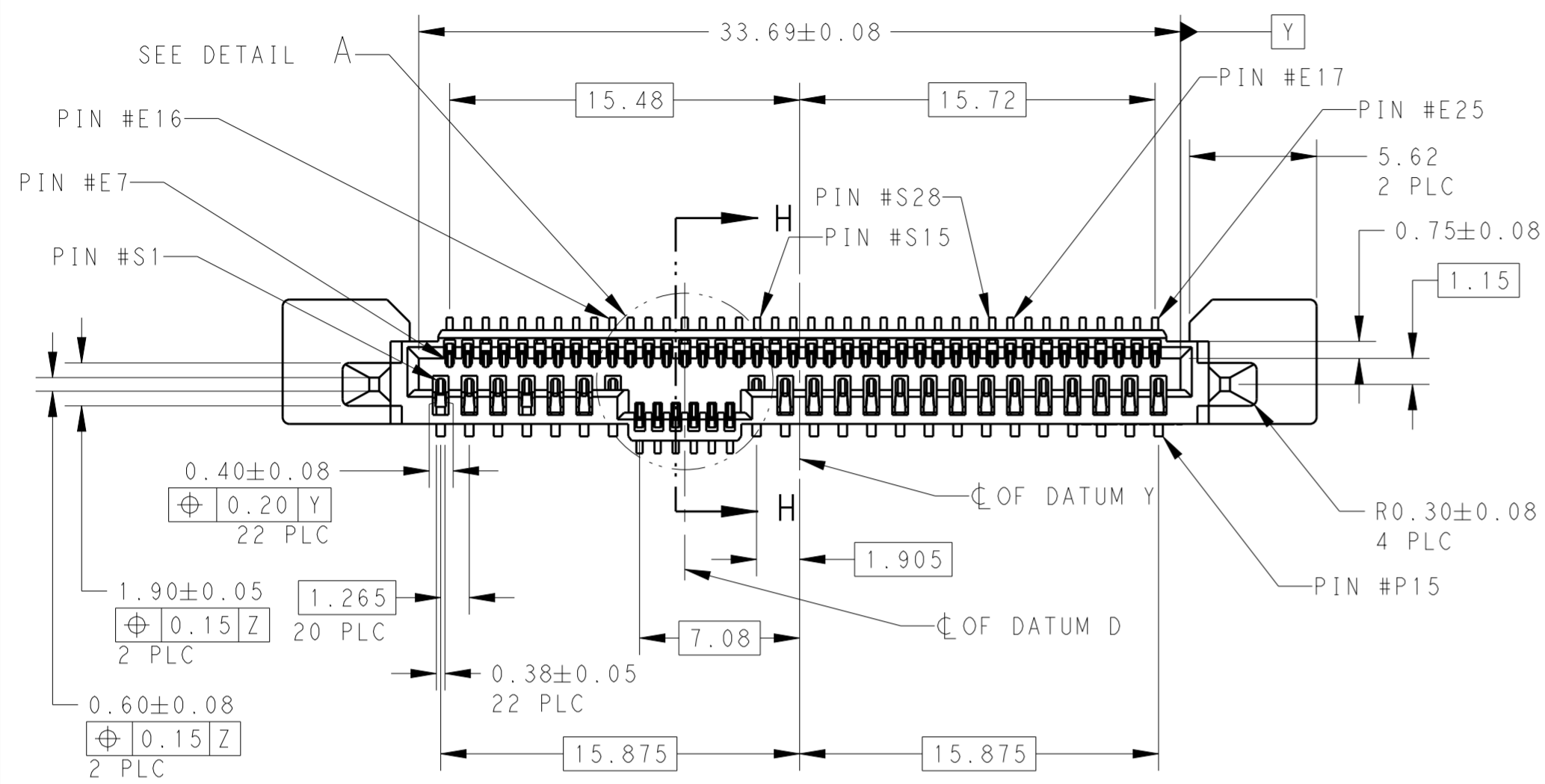
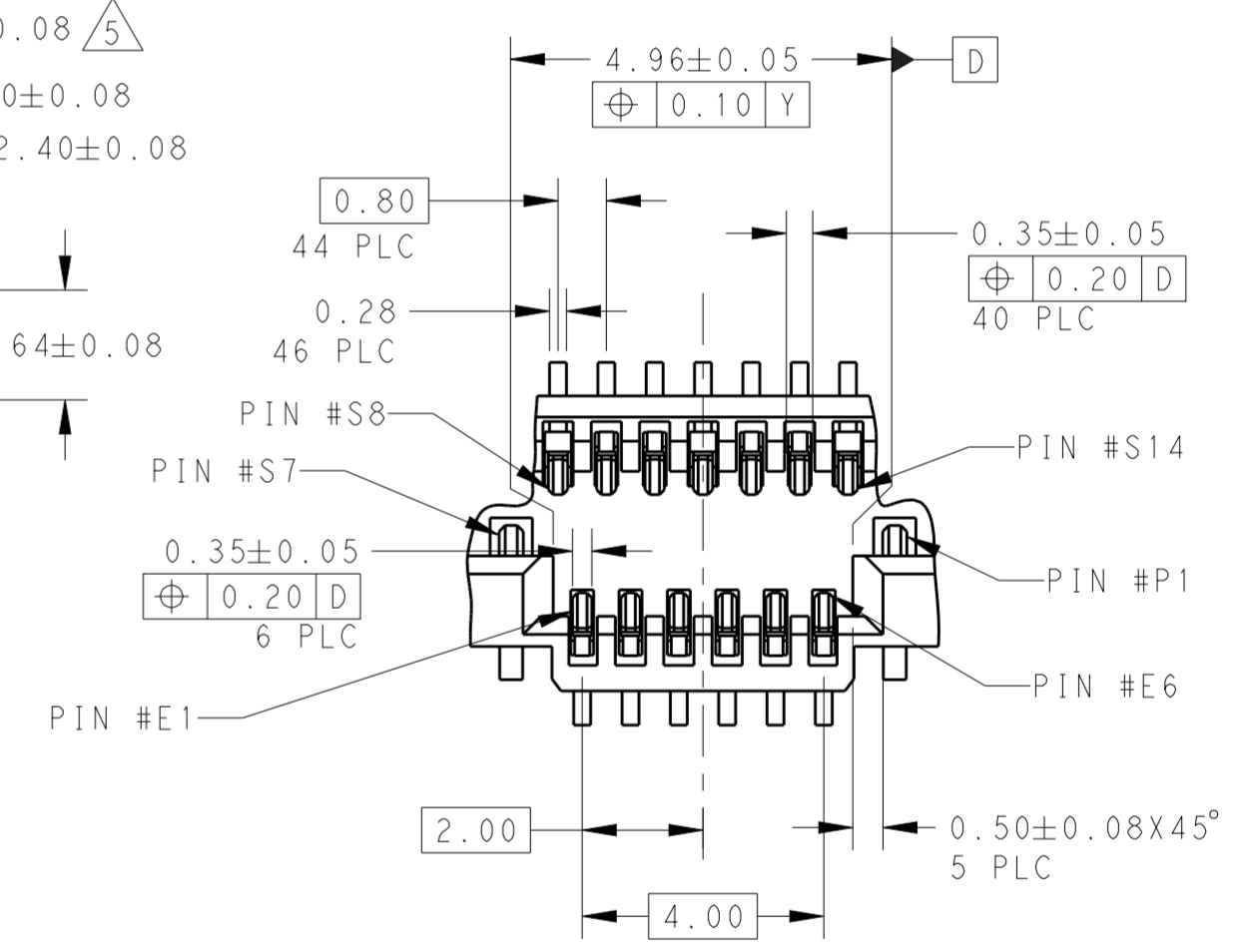
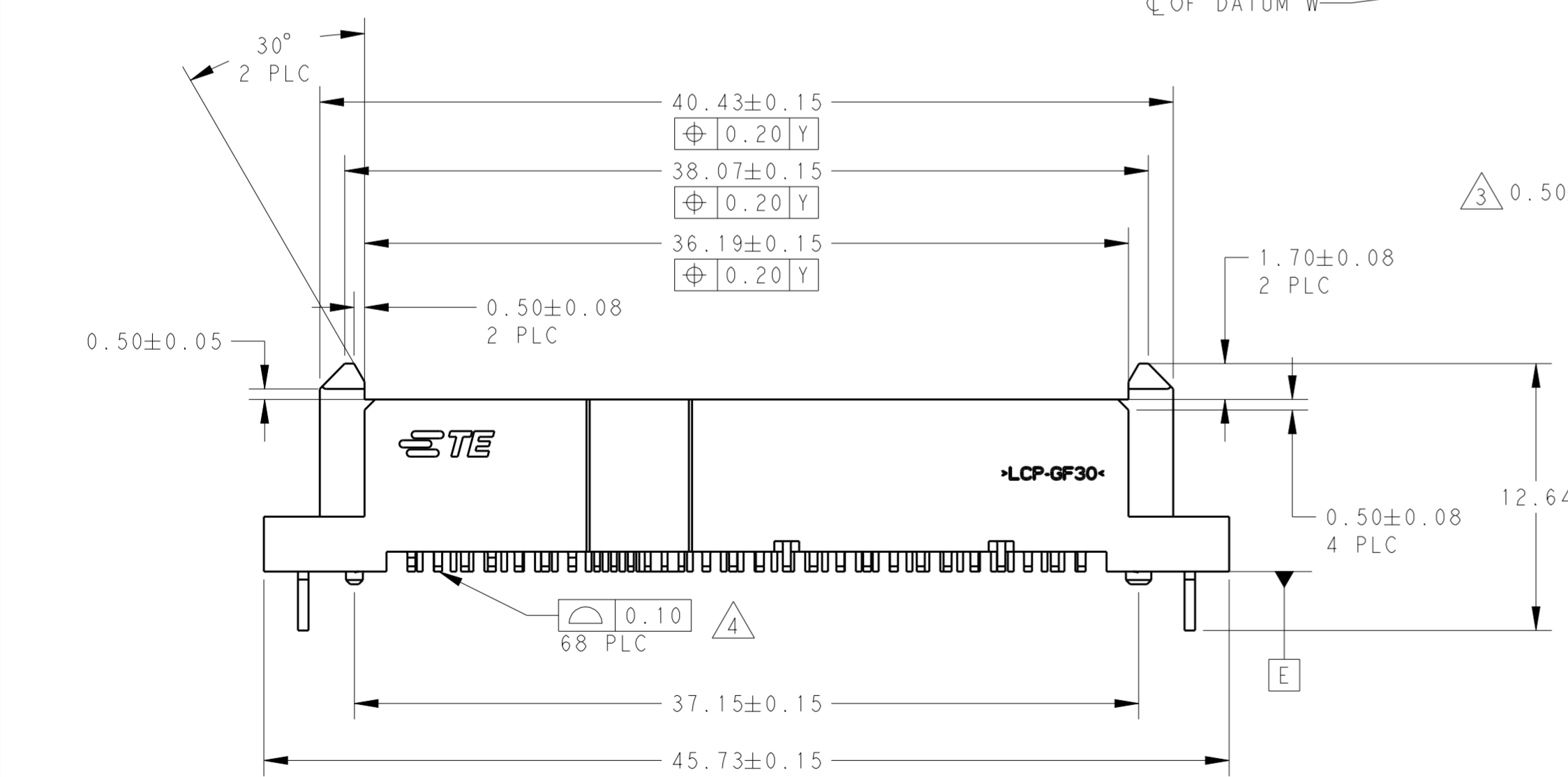


THIS DRAWING IS UNPUBLISHED. RELEASED FOR PUBLICATION 20  
 © COPYRIGHT 20 BY - ALL RIGHTS RESERVED.

REVISIONS					
P	LTR	DESCRIPTION	DATE	DWN	APVD
A		RELEASED FOR PRODUCTION	07MAR2016	TX	SH



- NOTES:
- 1 MATERIAL:  
HOUSING: HIGH TEMP THERMOPLASTIC, UL94V-0,  
COLOR:BLACK  
CONTACT: COPPER ALLOY  
BOARDLOCK: COPPER ALLOY
  - 2 FINISH:  
CONTACT AREA: MIN 0.76µm GOLD PLATING  
SOLDERTAIL: MIN 2.54µm MATTE TIN PLATING  
UNDERPLATE: MIN 1.27µm NICKEL PLATING
  - 3 PIN #P4 AND #P12 ONLY
  - 4 SOLDERTAIL TO BE 0.05 MAX ABOVE  
AND 0.10 MAX BELOW DATUM E
  - 5 1.33 MAX MEASURED AT DATUM C



SECTION H-H  
SCALE 4:1

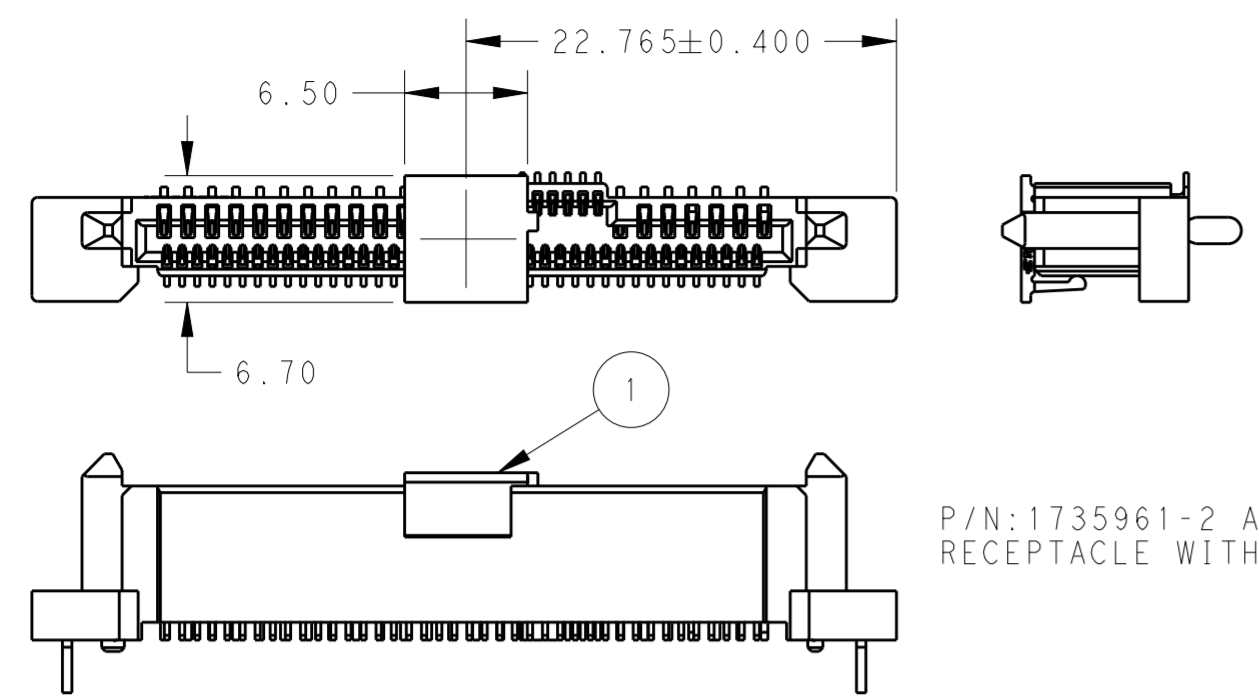
DETAIL A  
SCALE 8:1

TRAY	YES	1735961-3
TAPE & REEL	YES	1735961-2
TRAY	NO	1735961-1
PACKAGING	PICK-UP CAP (1)	PART NUMBER

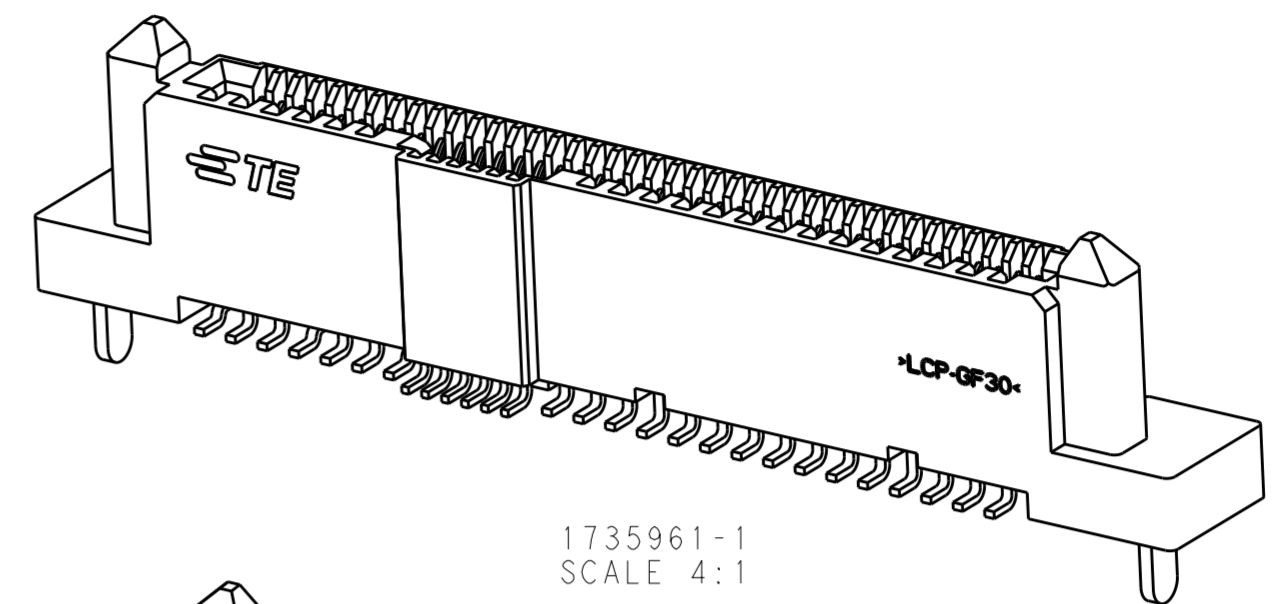
THIS DRAWING IS A CONTROLLED DOCUMENT.		DWN YM LEE 8DEC11	TE Connectivity 12G SAS/PCIe COMBO RECEPTACLE (WITH TH BOARDLOCK) 15P+6P+7P+40P
DIMENSIONS: mm		CHK SF LEONG 8DEC11	
TOLERANCES UNLESS OTHERWISE SPECIFIED:		APVD SF LEONG 8DEC11	
0 PLC ± 1 PLC ±0.20 2 PLC ±0.20 3 PLC ±0.20 4 PLC ± ANGLES ±3° FINISH		PRODUCT SPEC 108-51109 APPLICATION SPEC 114-60017 WEIGHT - CUSTOMER DRAWING	
		SIZE A2 CAGE CODE 00779 DRAWING NO C-1735961 SCALE 2:1 SHEET 1 OF 2 REV A	RESTRICTED TO

THIS DRAWING IS UNPUBLISHED. RELEASED FOR PUBLICATION 20  
 © COPYRIGHT 20 BY - ALL RIGHTS RESERVED.

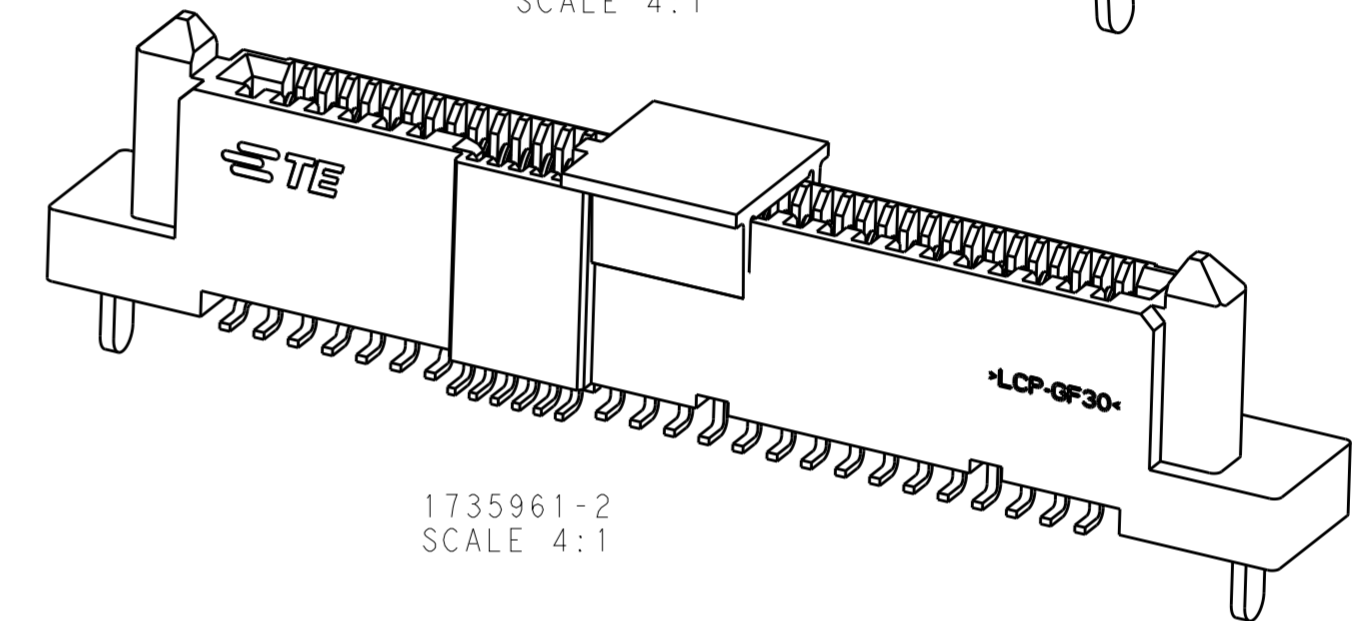
LOC		DIST		REVISIONS			
P	LTR	DESCRIPTION		DATE	DWN	APVD	
-	-	SEE SHEET 1		-	-	-	



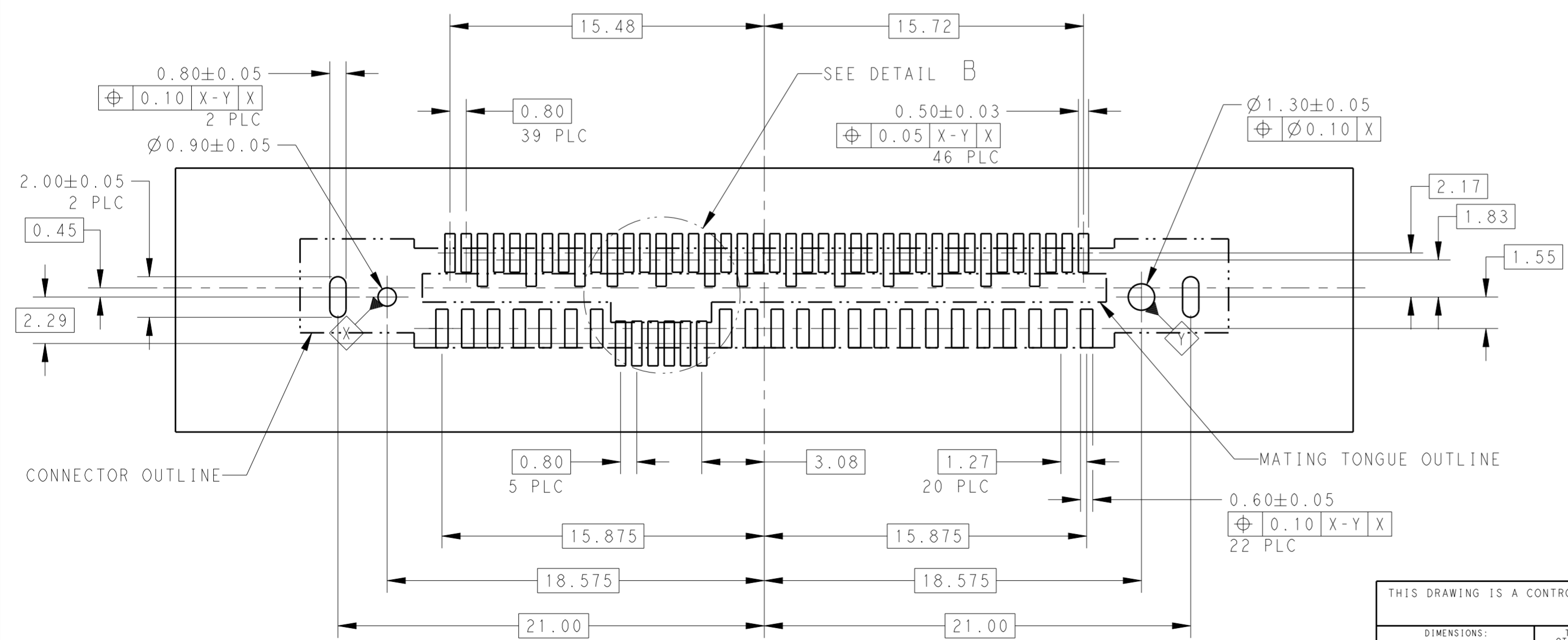
P/N: 1735961-2 AS SHOWN  
 RECEPTACLE WITH PICK-UP CAP



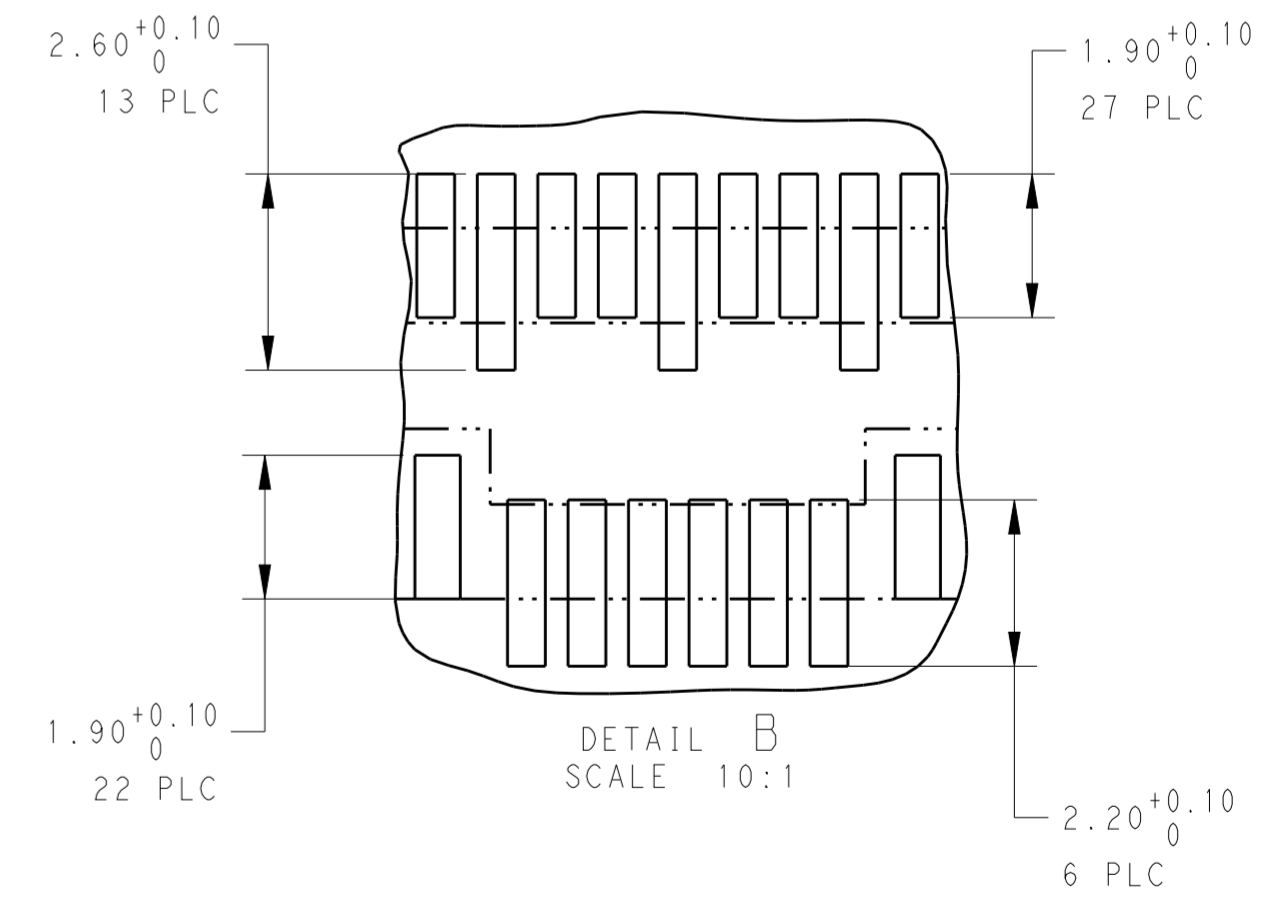
1735961-1  
 SCALE 4:1



1735961-2  
 SCALE 4:1



RECOMMENDED RECEPTACLE BOARD LAYOUT  
 SCALE 5:1



DETAIL B  
 SCALE 10:1

THIS DRAWING IS A CONTROLLED DOCUMENT.		DWN YM LEE 8DEC11	 TE Connectivity
DIMENSIONS: mm		CHK SF LEONG 8DEC11	
TOLERANCES UNLESS OTHERWISE SPECIFIED:		APVD SF LEONG 8DEC11	
0 PLC ± 1 PLC ±0.20 2 PLC ±0.20 3 PLC ±0.20 4 PLC ± ANGLES ±3° FINISH -		PRODUCT SPEC 108-51109 APPLICATION SPEC 114-60017 WEIGHT -	
MATERIAL material_2	finish_spec_2	CUSTOMER DRAWING	NAME 12G SAS/PCIe COMBO RECEPTACLE (WITH TH BOARDLOCK) 15P+6P+7P+40P SIZE A200779 CAGE CODE C-1735961 DRAWING NO G-1735961 RESTRICTED TO - SCALE 2:1 SHEET 2 OF 2 REV A