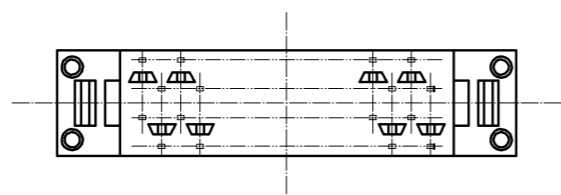
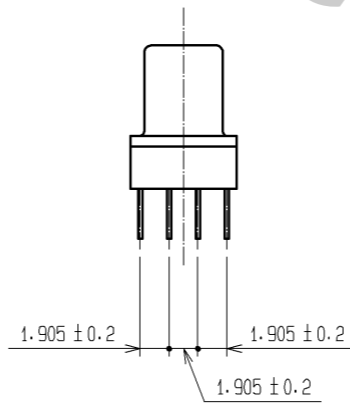
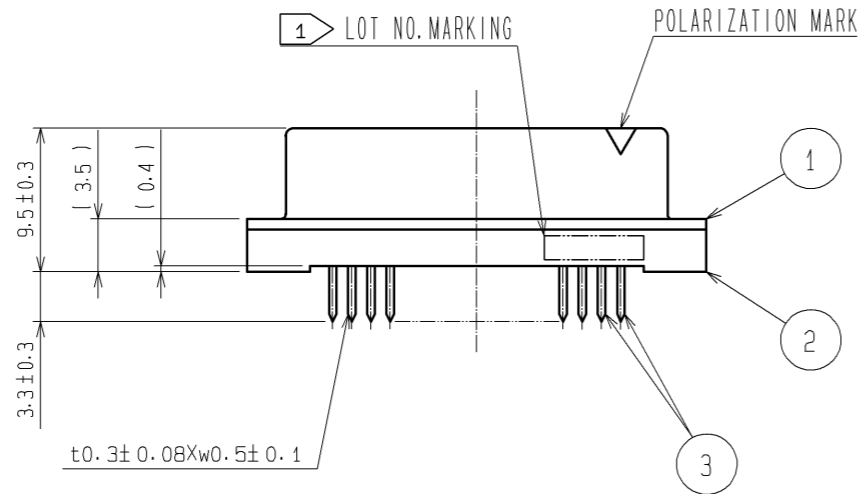
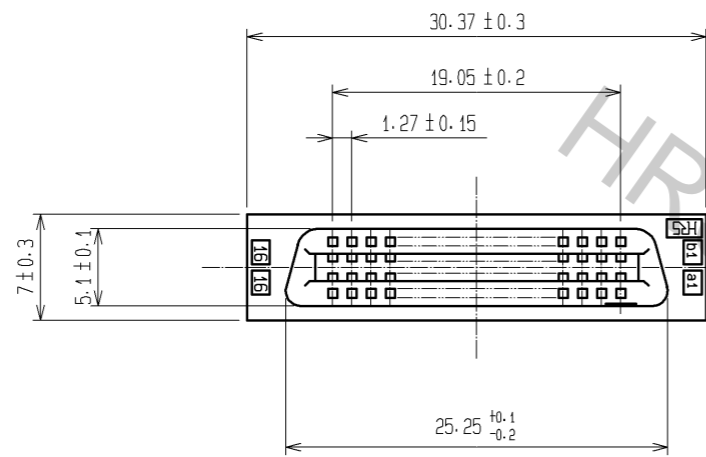
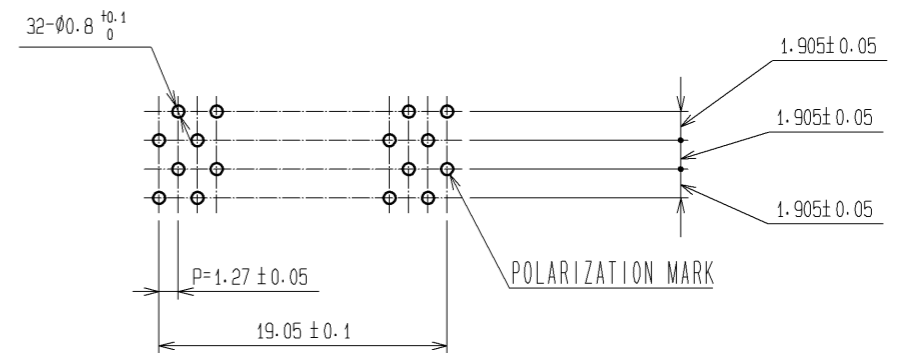


Apr.1.2017 Copyright 2017 HIROSE ELECTRIC CO., LTD. All Rights Reserved.



RECOMMENDED PC BOARD HOLE PATTERN (MOUNTING SIDE)



NOTES 1 LOT NO. MARKING SIDE SHALL BE OPTIONAL.
2. THE DIMENSIONS IN PARENTHESES ARE FOR REFERENCE.

1, 2		POLYAMIDE	BLACK, UL94V-0	3		PHOSPHOR BRONZE	CONTACT AREA : GOLD 0.2µm min. DIP AREA : TIN-PLATING 2µm min. UNDER PLATING : NICKEL 2µm min.
NO.	MATERIAL	FINISH, REMARKS		NO.	MATERIAL	FINISH, REMARKS	
UNITS mm		SCALE 2 : 1		COUNT	DESCRIPTION OF REVISIONS		DESIGNED
		HIROSE ELECTRIC CO., LTD.		APPROVED : HS. OKAWA	07.08.08	DRAWING NO. EDC3-083180-21	
				CHECED : HS. OZAWA	07.08.07	PART NO. FX2C-32S-1.27DSA(71)	
				DESIGNED : KY. NAKAMURA	07.08.07	CODE NO. CL572-2402-0-71	
				DRAWN : TP. MATSUMOTO	07.08.06		