

1

2

3

4

5

6

7

A

B

C

D

E

F

G

H

A

B

C

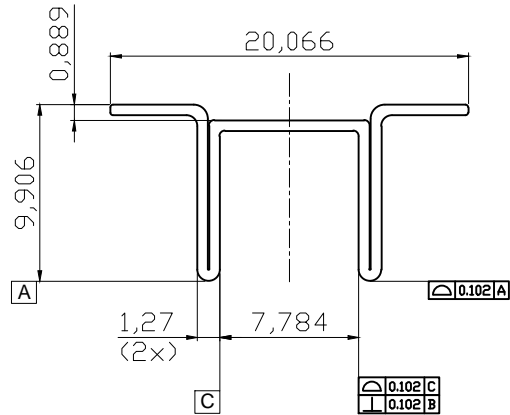
D

E

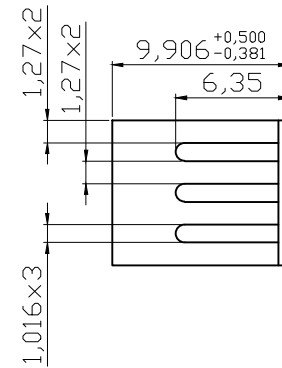
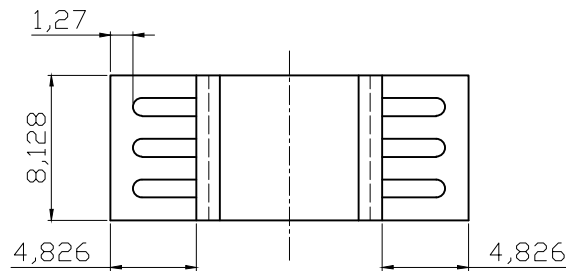
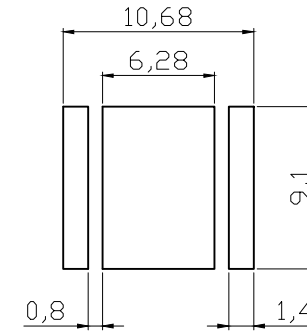
F

G

H



⑥ Recommended PCB solder layout footprint
all dimension in mm



Material :Copper T=0.6mm
Finished: Bright Tin Plated
Unmarked round angleR is 0.75

Option	Packaging	Thermal resistance(K/W)
V-1100-SMD/B	⑤ Tape&Reel ③ 400 pcs/reel	25
V-1100-SMD/B-L	Bulk ⑦ 625 pcs/pe bag	25

RoHS compliant
Unit: mm

Scale	Free	⑦	Update packaging qty	19.03.2018	Amy		Date	Name	Customer-No.
TOLERANCE		⑥	Add PCB layout	14.10.2014	Amy	Drawn	11.08.2009	Dean	ASSMANN WSW-No. V-1100-SMD/Bx
		⑤	Change the packing qty	10.01.2014	Amy	Approved	19.03.2018	Amy	
UNIT	±0.3	④	Change production plant	26.09.2013	Amy				
DIM	TOL	③	Update	13.06.2013	Amy	ASSMANN WSW components			Drawing-No.
X.°	±X°	②	Modify drawing layout	10.03.2010	Alex				ASS 0855 HS
X.X°	±X°	②	Modify drawing layout	10.03.2010	Alex	Replace	Sheet		
Angle	TOL	Id.	Modification	Date	Name				

1

2

3

4

5

6

7