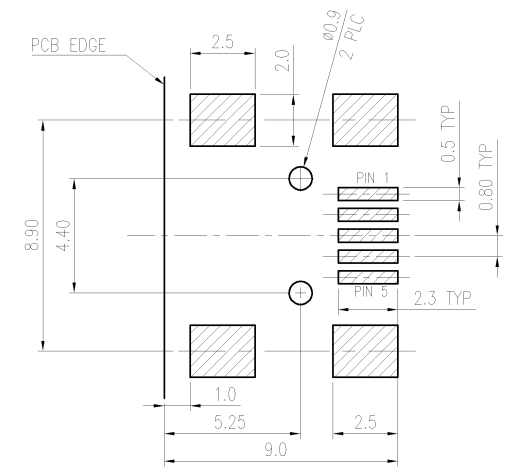
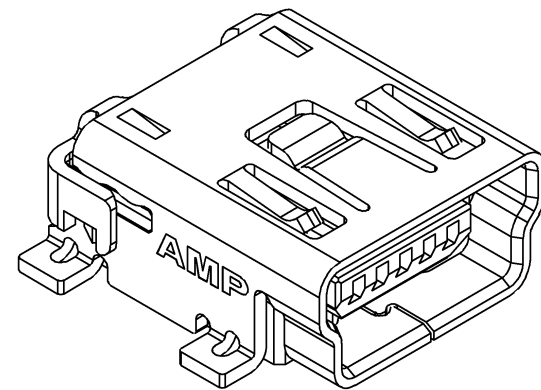
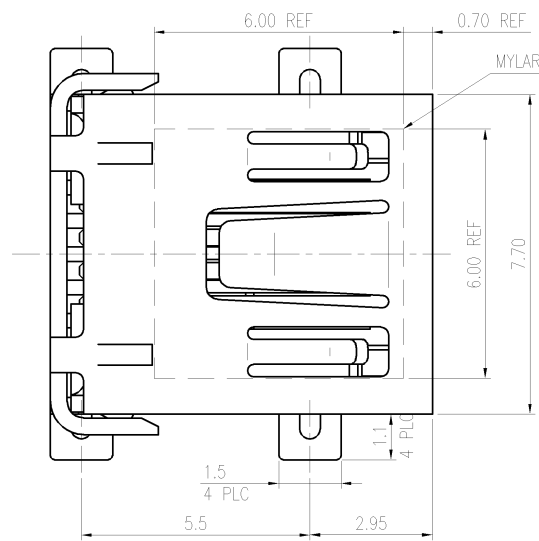
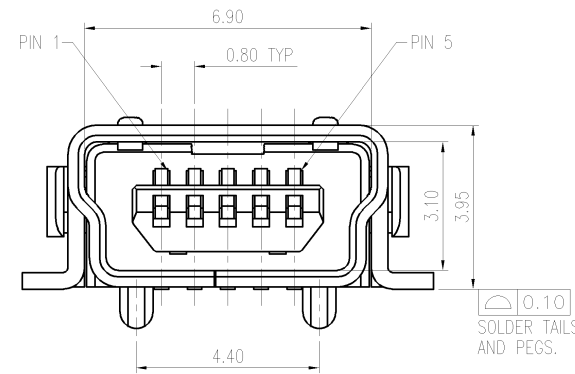
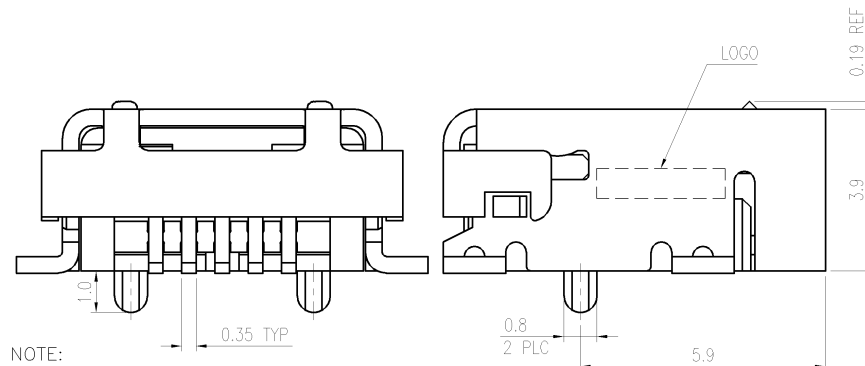


THIS DRAWING IS UNPUBLISHED. RELEASED FOR PUBLICATION
 © COPYRIGHT BY TYCO ELECTRONICS CORPORATION. ALL RIGHTS RESERVED.

LOC	DW	DIST	REVISIONS					
			P	LTR	DESCRIPTION	DATE	DWN	APVD
			E		REVISED (ECR-12-014157)	29AUG12	JL	WK



RECOMMENDED PCB LAYOUT (MOUNTING SIDE)
 THICKNESS 1.57mm (TOLERANCE: ±0.05)



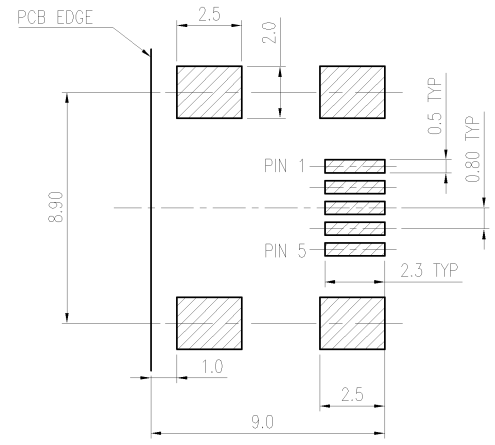
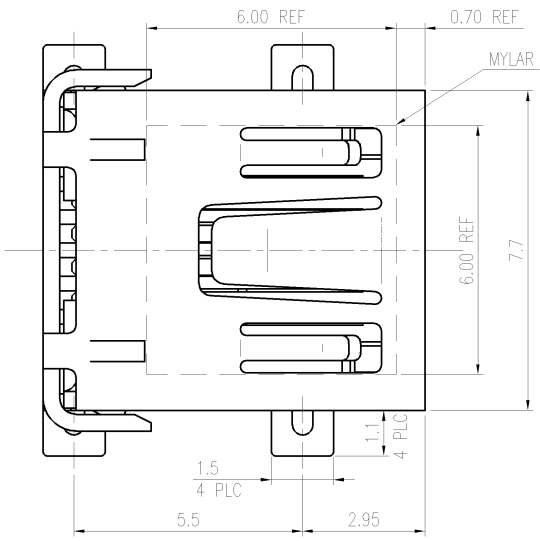
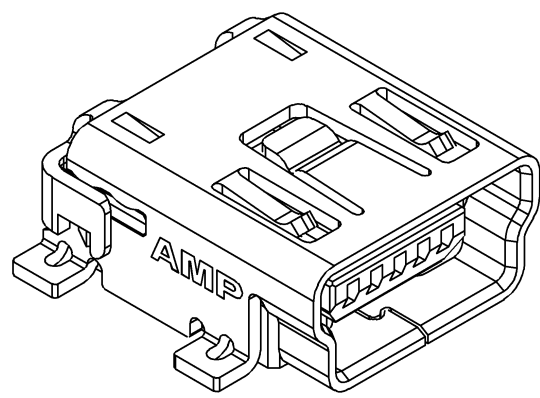
- NOTE:
- MATERIAL:
 HOUSING: PA9T WITH 33% GF, UL 94V-0, BLACK COLOR.
 CONTACTS: PHOSPHOR BRONZE.
 SHELL: PHOSPHOR BRONZE.
 MYLAR: POLYAMIDE FILM.
 - FINISH:
 CONTACTS: GOLD FLASH OVER
 0.762µm [30µ"] MIN. PALLADIUM-NICKEL PLATED ON CONTACT AREA,
 ⚠ 2.54µm [100µ"] MIN. MATTE-TIN ON SOLDER TAIL,
 ⚠ 2.54µm [100µ"] MIN. MATTE-TIN ON SOLDER TAIL,
 ⚠ 3.05µm [120µ"] MIN. MATTE-TIN ON SOLDER TAIL,
 WITH ENTIRE CONTACT UNDERPLATED 1.27µm [50µ"] MIN. NICKEL.
 SHELL: ⚠ & ⚠ 2.03µm [80µ"] MIN. NICKEL PLATED OVERALL.
 ⚠ 0.76µm [30µ"] MIN. MATTE-TIN OVER 1.27µm [50µ"] MIN. NICKEL.
 - NO DATECODE ON PRODUCT SURFACE.
 - REFLOW SOLDER CAPABLE TO 260°C PER TE TEST SPEC.
 109-201, CONDITION B.

⚠	W/O	W/O	TAPE REEL	W/	3-1734035-2
⚠	W/	W/O	TAPE REEL	W/	2-1734035-4
	W/O	W/	TAPE REEL	W/	2-1734035-3
⚠	W/O	W/O	TAPE REEL	W/	2-1734035-2
	W/O	N/A	TRAY	W/	1734035-1
	W/	W/O	TAPE REEL	W/	1734035-4
⚠	W/O	W/	TAPE REEL	W/	1734035-3
	W/O	W/O	TAPE REEL	W/	1734035-2
	W/O	N/A	TRAY	W/	1734035-1
PLATED	MYLAR	LONG CARRIER & COVER TAPE	PACKAGE	POST	PART NUMBER

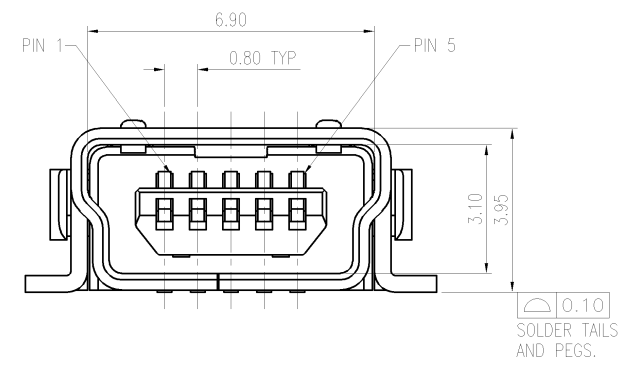
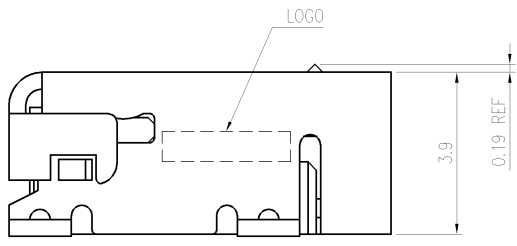
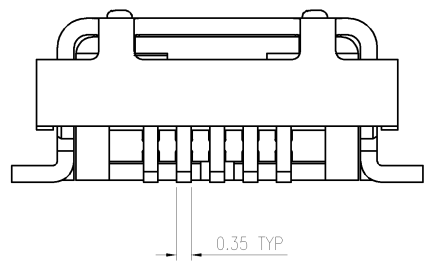
THIS DRAWING IS A CONTROLLED DOCUMENT.		DWN	O. HU	21DEC2007	TE Connectivity
DIMENSIONS: MM		CHK	S. HOU	21DEC2007	
TOLERANCES UNLESS OTHERWISE SPECIFIED:		APVD	W. KODAMA	21DEC2007	
0 PLC ± 0.38 1 PLC ± 0.25 2 PLC ± 0.13 3 PLC ± 0.05 4 PLC ± ANGLES ± ± 3°		PRODUCT SPEC	NAME		
MATERIAL SEE NOTE		FINISH SEE NOTE		108-57062 QUALIFICATION TEST REPORT 501-57070	
CUSTOMER DRAWING		SIZE	A3	CAGE CODE	00779
		DRAWING NO	C=1734035		RESTRICTED TO
		SCALE	SHEET 1 of 4		REV E

THIS DRAWING IS UNPUBLISHED. RELEASED FOR PUBLICATION
 © COPYRIGHT BY TYCO ELECTRONICS CORPORATION. ALL RIGHTS RESERVED.

LOC	DIST	REVISIONS					
DW	-	P	LTR	DESCRIPTION	DATE	DWN	APVD
				SEE SHEET 1.			



RECOMMENDED PCB LAYOUT (MOUNTING SIDE)
 THICKNESS 1.57mm (TOLERANCE:±0.05)



NOTE:

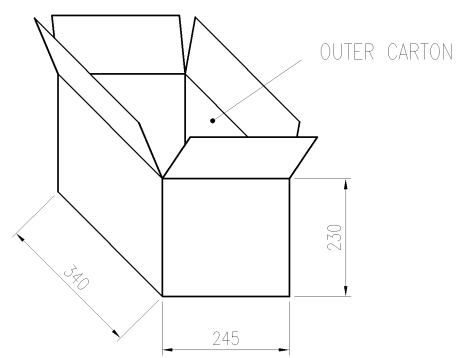
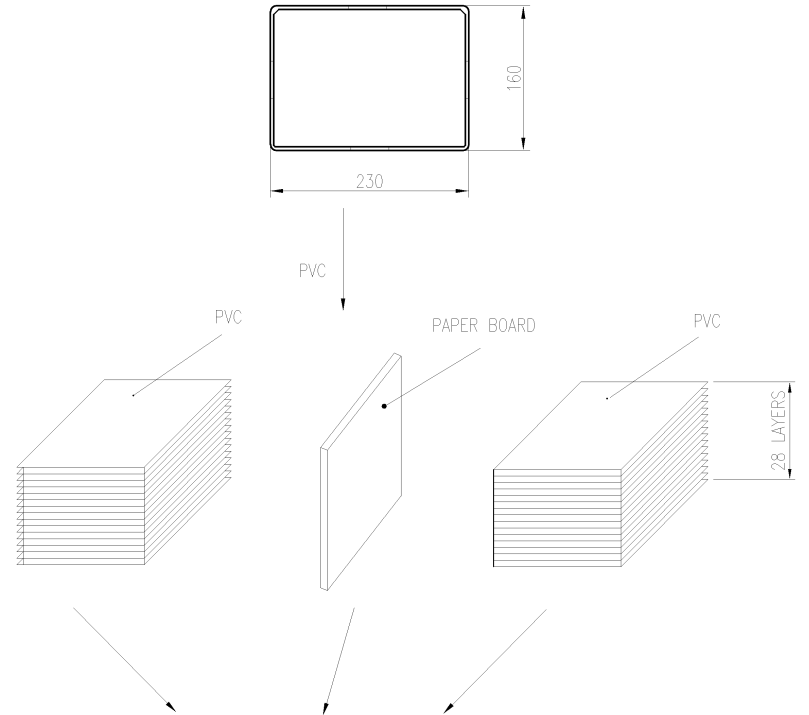
- MATERIAL:
 HOUSING: PA9T WITH 33% GF, UL 94V-0, BLACK COLOR.
 CONTACTS: PHOSPHOR BRONZE.
 SHELL: PHOSPHOR BRONZE.
 MYLAR: POLYAMIDE FILM.
- FINISH:
 CONTACTS: GOLD FLASH OVER
 0.762µm [30µ"] MIN. PALLADIUM-NICKEL PLATED ON CONTACT AREA,
 2.54µm [100µ"] MIN. MATTE-TIN ON SOLDER TAIL, WITH
 ENTIRE CONTACT UNDERPLATED 1.27µm [50µ"] MIN. NICKEL.
 SHELL: 2.03µm [80µ"] MIN. NICKEL PLATED OVERALL.
- NO DATECODE ON PRODUCT SURFACE.
- REFLOW SOLDER CAPABLE TO 260°C PER TE TEST SPEC.
 109-201, CONDITION B.

W/	W/O	TAPE REEL	W/O	4-1734035-2
W/O	W/	TAPE REEL	W/O	1-1734035-3
	W/O	TAPE REEL	W/O	1-1734035-2
	N/A	TRAY	W/O	1-1734035-1
MYLAR	LONG CARRIER & COVER TAPE	PACKAGE	POST	PART NUMBER

THIS DRAWING IS A CONTROLLED DOCUMENT.		DWN	STE TE Connectivity		
DIMENSIONS: MM		CHK			
TOLERANCES UNLESS OTHERWISE SPECIFIED:		APVD	NAME		
0 PLC ± 0.38		PRODUCT SPEC	MINI USB, R/A, SMT, B TYPE		
1 PLC ± 0.25		APPLICATION SPEC	SIZE	CAGE CODE	DRAWING NO
2 PLC ± 0.13		WEIGHT	A3	00779	C-1734035
3 PLC ± 0.05		CUSTOMER DRAWING	SCALE		SHEET 2 of 4
4 PLC ±					REV E
4 PLC ANGLES ± 3'					
MATERIAL	FINISH				
SEE NOTE	SEE NOTE				

THIS DRAWING IS UNPUBLISHED. RELEASED FOR PUBLICATION
 © COPYRIGHT BY TYCO ELECTRONICS CORPORATION. ALL RIGHTS RESERVED.

LOC	DIST	REVISIONS					
DW	-	P	LTR	DESCRIPTION	DATE	DWN	APVD
				SEE SHEET 1.			

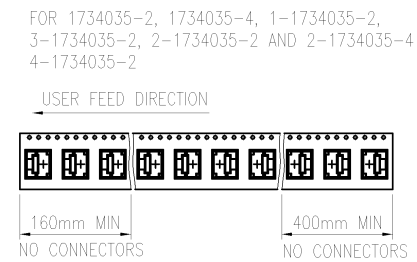
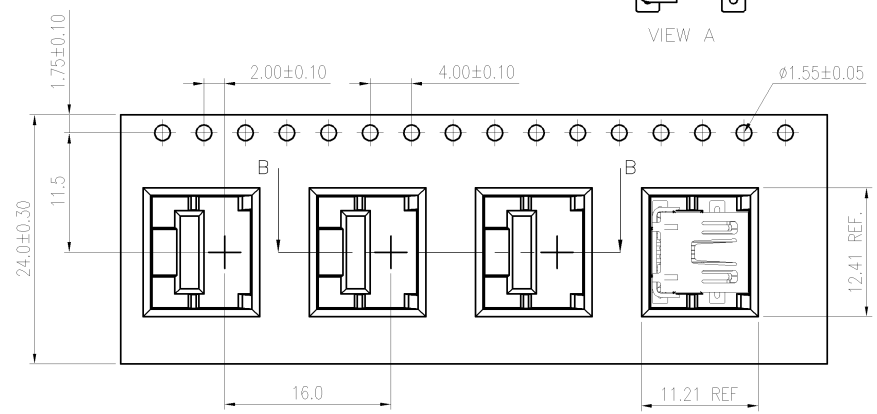
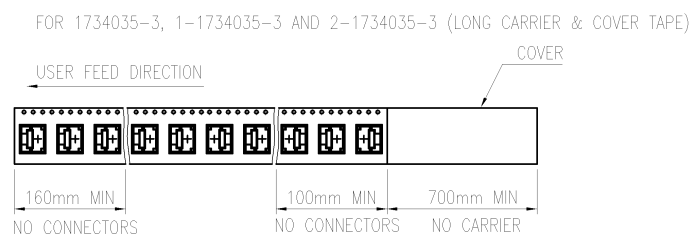
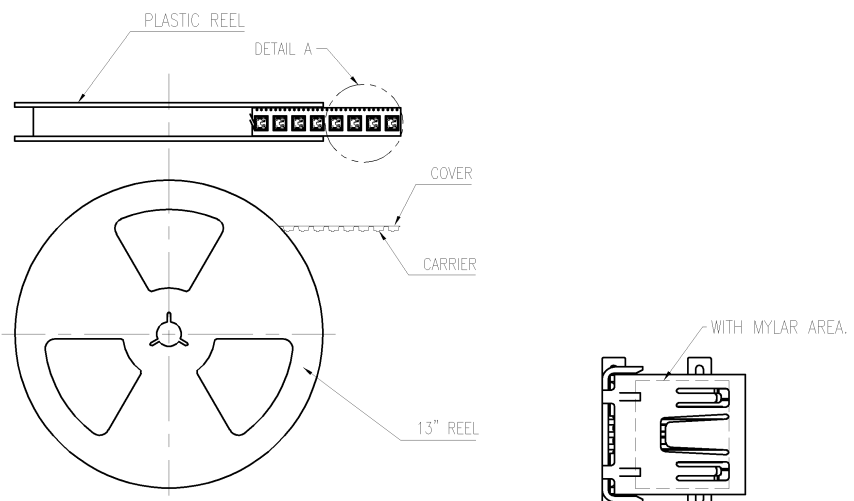


9.2 Kg	6.7 Kg	150	56	8400 PCS	2-1734035-1 1-1734035-1 1734035-1
GROSS WEIGHT	NET WEIGHT	PCS/TRAY	TRAYS /CARTON	QUANTITY	PART NUMBER

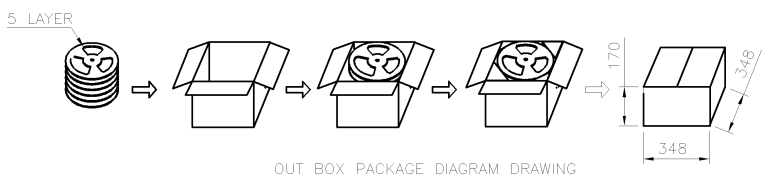
THIS DRAWING IS A CONTROLLED DOCUMENT.		DWN	STE TE Connectivity		
DIMENSIONS: MM		CHK			
TOLERANCES UNLESS OTHERWISE SPECIFIED:		APVD	NAME		
0 PLC ±		PRODUCT SPEC	MINI USB, R/A, SMT, B TYPE		
1 PLC ±		APPLICATION SPEC	SIZE	CAGE CODE	DRAWING NO
2 PLC ±		WEIGHT	A3	00779	C=1734035
3 PLC ±		CUSTOMER DRAWING		RESTRICTED TO	-
4 PLC ±		SCALE	SHEET 3 of 4		REV E
ANGLES ±					
FINISH					

THIS DRAWING IS UNPUBLISHED. RELEASED FOR PUBLICATION
 © COPYRIGHT BY TYCO ELECTRONICS CORPORATION. ALL RIGHTS RESERVED.

LOC	DIST	REVISIONS					
DW	-	P	LTR	DESCRIPTION	DATE	DWN	APVD
				SEE SHEET 1.			



6.5 Kg	5.5 Kg	700	5	3500	W/	W/O	4-1734035-2
					W/O	W/O	3-1734035-2
					W/	W/O	2-1734035-4
					W/O	W/	2-1734035-3
					W/O	W/O	2-1734035-2
					W/O	W/	1-1734035-3
					W/O	W/O	1-1734035-2
					W/	W/O	1734035-4
					W/O	W/	1734035-3
W/O	W/O	1734035-2					
GROSS WEIGHT	NET WEIGHT	PCS/REER	REERS/CARTON	QUANTITY	MYLAR	LONG CARRIER & COVER TAPE	PART NUMBER



THIS DRAWING IS A CONTROLLED DOCUMENT.

DIMENSIONS: MM	TOLERANCES UNLESS OTHERWISE SPECIFIED:	DWN	 STE TE Connectivity MINI USB, R/A, SMT, B TYPE
	0 PLC ±	CHK	
	1 PLC ±	APVD	
	2 PLC ±	PRODUCT SPEC	
	3 PLC ±	APPLICATION SPEC	
MATERIAL	FINISH	WEIGHT	NAME SIZE CAGE CODE DRAWING NO RESTRICTED TO A3 00779 C=1734035
CUSTOMER DRAWING		SCALE	SHEET 4 of 4 REV E