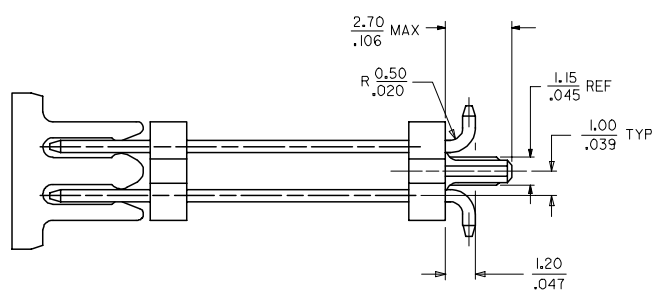
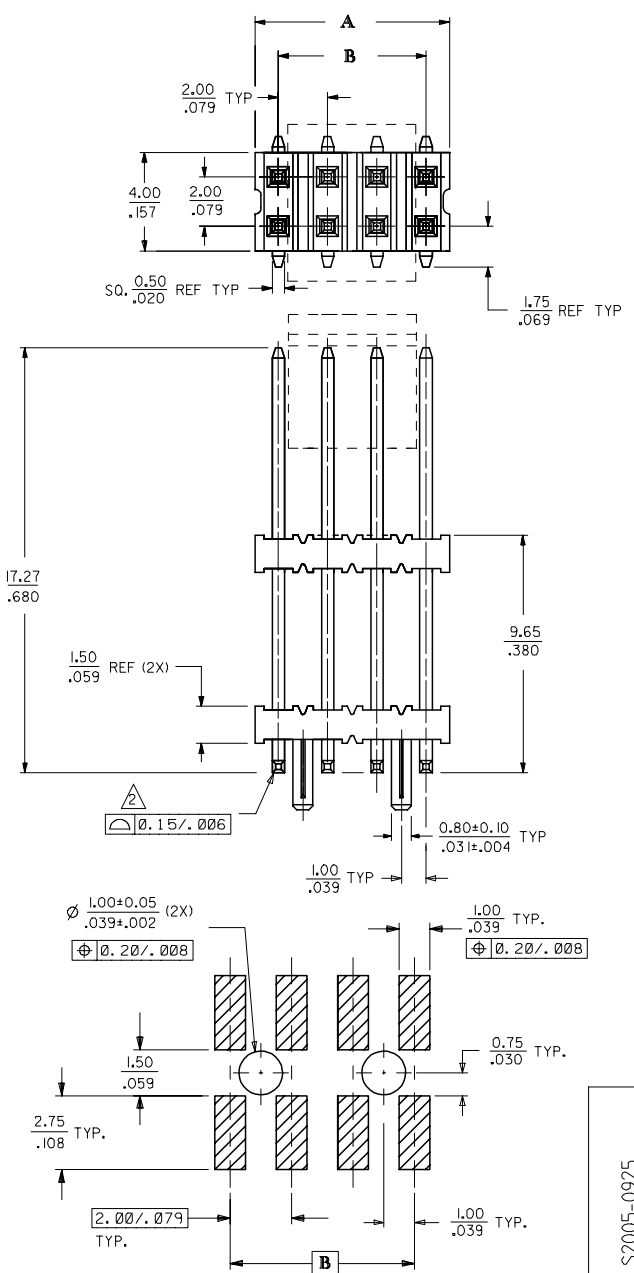
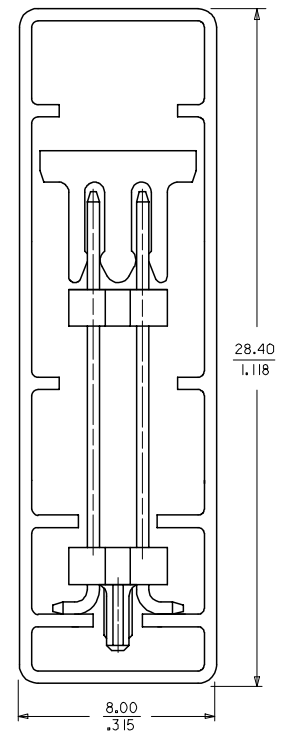
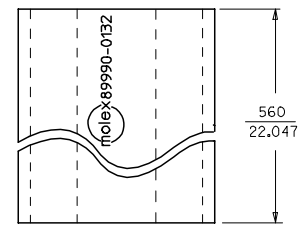


10 9 8 7 6 5 4 3 2 1

F  
E  
D  
C  
B  
A



PART NO. W/ CAP IN TUBE	CKT SIZE	DIMENSION			
		A		B	
		MM	INCH	MM	INCH
87762-0872	08	7.90	.311	6.00	.236



**NOTES:**

1. PRODUCT SPECIFICATION PS-87761-001 APPLIES.
  2. COPLANARITY IS TO BE MEASURED BY RESTING THE SOLDER TAIL ON A GAUGE SURFACE.
  3. RECOMMENDED PC BOARD THICKNESS IS 1.60±0.10MM
  4. PLATING FINISH:  
0.38um/15uIn MIN GOLD IN CONTACT AREA  
TIN IN SOLDER TAIL AREA,  
BOTH OVER NICKEL.
- HSG : NYLON, GLASS-FILLED, UL94V-0,  
COLOR BLACK.  
PIN : PHOSPHOR BRONZE, SQ. 0.50MM

**RECOMMENDED PCB PATTERN**

EC NO: S2005-0925 DRWNS:SKLIM01 2005/08/01 CHKD:BOKOK 2005/08/05 APPR:PTLIM 2005/08/05	QUALITY SYMBOLS ▽=0 △=0	GENERAL TOLERANCES (UNLESS SPECIFIED)	DIMENSION STYLE MM/IN	SCALE NTS	DESIGN UNITS METRIC	THIRD ANGLE PROJECTION																										
		<table border="1"> <thead> <tr> <th></th> <th>MM</th> <th>INCH</th> </tr> </thead> <tbody> <tr> <td>4 PLACES</td> <td>± ---</td> <td>± ---</td> </tr> <tr> <td>3 PLACES</td> <td>± ---</td> <td>± ---</td> </tr> <tr> <td>2 PLACES</td> <td>± 0.2</td> <td>± ---</td> </tr> <tr> <td>1 PLACE</td> <td>± ---</td> <td>± ---</td> </tr> </tbody> </table>		MM	INCH	4 PLACES	± ---	± ---	3 PLACES	± ---	± ---	2 PLACES	± 0.2	± ---	1 PLACE	± ---	± ---	<table border="1"> <thead> <tr> <th>DRAWN BY</th> <th>DATE</th> </tr> </thead> <tbody> <tr> <td>SKLIM01</td> <td>2005/05/27</td> </tr> <tr> <th>CHECKED BY</th> <th>DATE</th> </tr> <tr> <td>BOKOK</td> <td>2005/07/29</td> </tr> <tr> <th>APPROVED BY</th> <th>DATE</th> </tr> <tr> <td>PTLIM</td> <td>2005/07/29</td> </tr> </tbody> </table>	DRAWN BY	DATE	SKLIM01	2005/05/27	CHECKED BY	DATE	BOKOK	2005/07/29	APPROVED BY	DATE	PTLIM	2005/07/29	TITLE SALES DRAWING MGRID, 2MM DR HEADER SMT, W/CAP & W/SPACER	MATERIAL NO. SEE TABLE
	MM	INCH																														
4 PLACES	± ---	± ---																														
3 PLACES	± ---	± ---																														
2 PLACES	± 0.2	± ---																														
1 PLACE	± ---	± ---																														
DRAWN BY	DATE																															
SKLIM01	2005/05/27																															
CHECKED BY	DATE																															
BOKOK	2005/07/29																															
APPROVED BY	DATE																															
PTLIM	2005/07/29																															
DRAFT WHERE APPLICABLE MUST REMAIN WITHIN DIMENSIONS		THIS DRAWING CONTAINS INFORMATION THAT IS PROPRIETARY TO MOLEX INCORPORATED AND SHOULD NOT BE USED WITHOUT WRITTEN PERMISSION																														

9 8 7 6 5 4 3 2 1