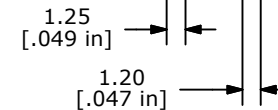
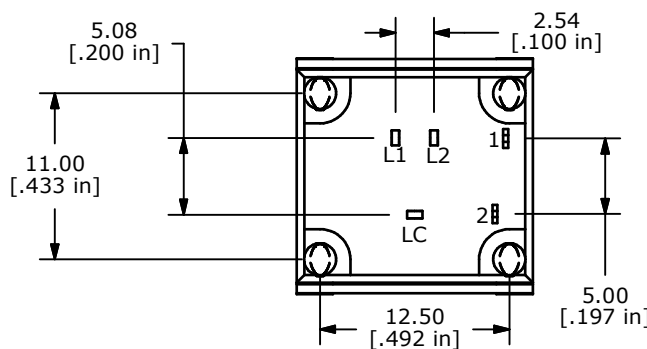
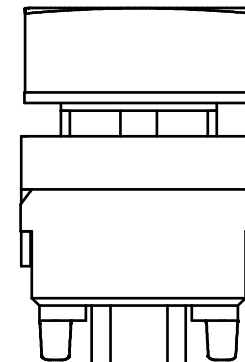
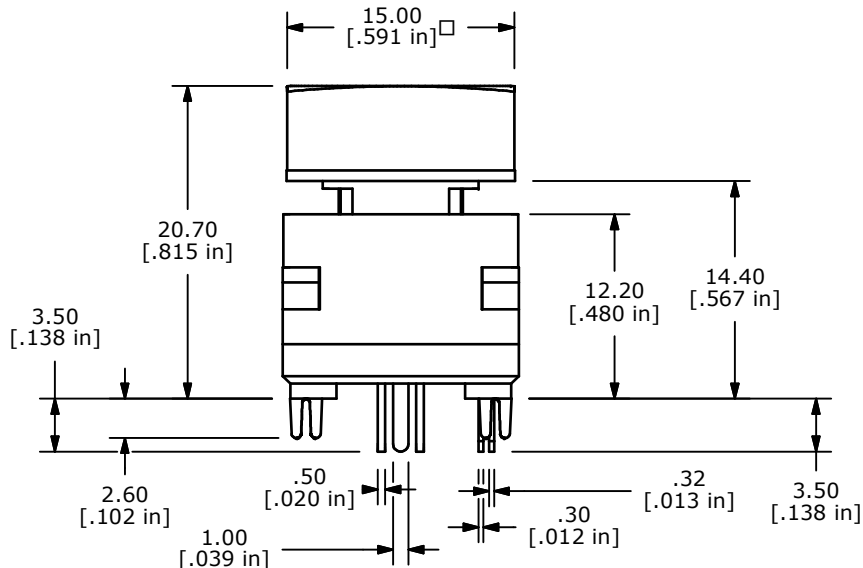
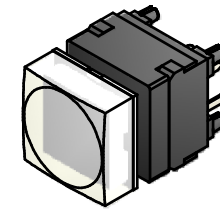
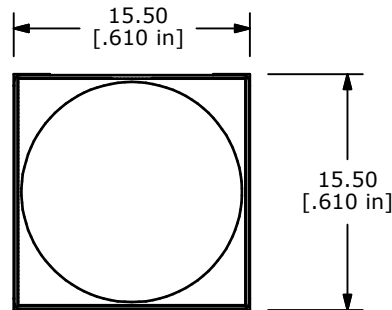


- NOTES:**
1. ALL DIMENSIONS IN MM [INCH]
 2. GENERAL TOLERANCE: X.X±0.4
X.XX±0.25
 3. TERM. NOS. FOR REFERENCE ONLY.
 4. RATING: 12VDC, 12mA; SPST
 5. CONTACT MATERIAL: GOLD
 6. CONTACT RESISTANCE: 50 Milli-OHM MAX.
 7. INSULATION RESISTANCE: 500VDC, 100 Mega-OHM MIN.
 - ▲ 8. OPERATING FORCE: 150±100GF
 9. OPERATING LIFE: 200,000 CYCLES
 10. OPERATING TEMP: -20°C TO +70°C
 - ▲ 11. LED COLORS: RED, WHITE
 12. TRAVEL: 2.20mm±0.20
 13. 2002/95/EC (ROHS) COMPLIANT
 14. ▲ DENOTES CRITICAL PARAMETER.



▲ LED SPECS	UNITS	RED	WHITE
FORWARD CURRENT	mA	20	20
FORWARD VOLTAGE @20mA	VDC	1.95-2.20	3.2-3.7
LUMINOUS INTENSITY @ 10mA	mcd	77	78.5



TITLE LP60A1ASRW

A	19231	RELEASE FOR PRODUCTION	8/12/10	BLR
REV	PCR NO	DESCRIPTION	DATE	BY

SCALE	DATE	DR	DWG	REV
2=1	8/12/2010	BLR	B220008	A

THE INFORMATION CONTAINED IN THIS DOCUMENT IS PROPRIETARY TO E-SWITCH AND IS NOT TO BE COPIED OR TRANSFERRED