

NOTES:

1. RAYCHEM CABLE: 10595-24-9

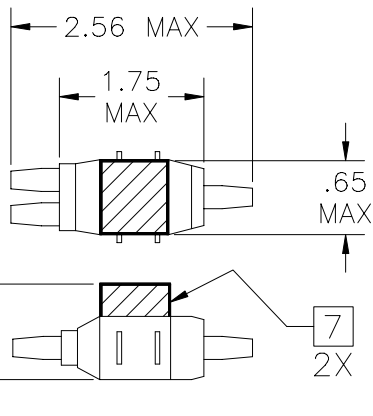
2. WEIGHT:

D-600-0170-1 .313 lbs. [142 g] APPROX.

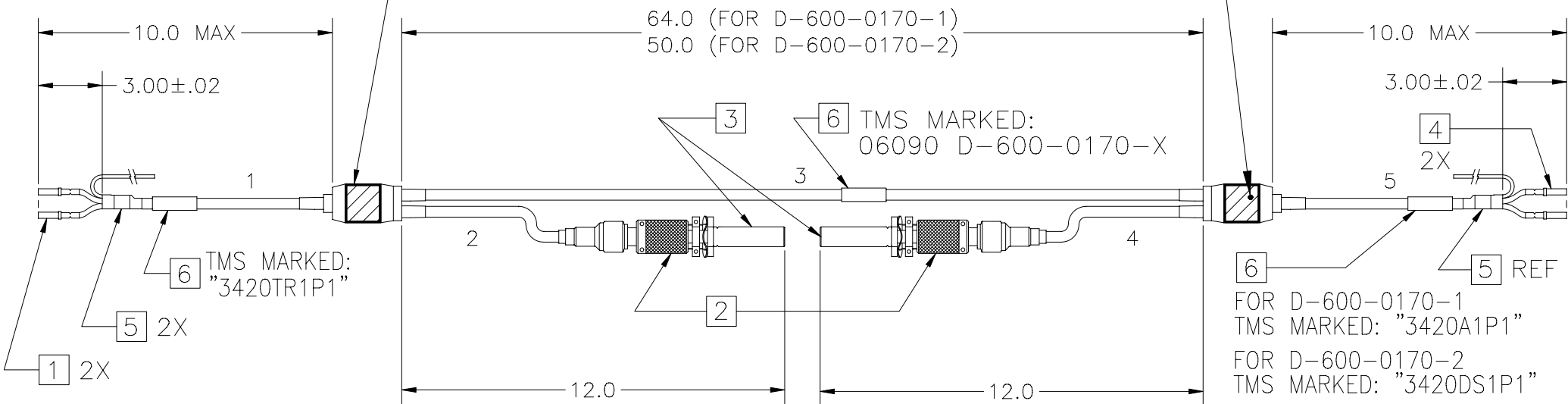
D-600-0170-2 .295 lbs. [134 g] APPROX.

REVISIONS		DATE	APPROVED
LTR	DESCRIPTION		
F	REVISED PER DCR NO. T-29138	6/6/01	GMR

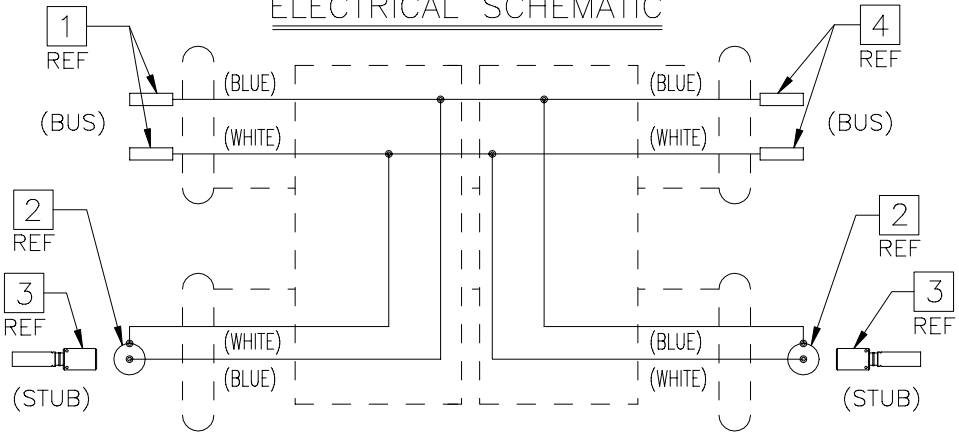
**If this document is printed it becomes uncontrolled.
Check with the web for latest revision.**



PWB COUPLER WITHOUT COUPLING TRANSFORMER, 2X



ELECTRICAL SCHEMATIC



COMPONENTS FOR D-600-0170-1 AND D-600-0170-2

ITEM	QTY	COMPONENT	DESCRIPTION
1	2	M39029/57-354	CONTACT, CRIMP
2	2	DK-621-0411-P	CONNECTOR, PLUG WITH PIN CONTACT
3	2	D-621-0485	TERMINATOR JACK, 200 OHMS
4	2	M39029/57-357	CONTACT, CRIMP, SKT
5	2	S02-08-R	SHIELD TERMINATOR
6	3	TMS-SCE-3/8-2.0-4	TMS MARKER, YELLOW
7	2	-----	COUPLER MOUNTING BLOCK

SPECIFICATION CONTROL DRAWING

UNLESS OTHERWISE SPECIFIED DIMENSIONS ARE IN INCHES. METRIC DIMENSIONS ARE IN BRACKETS.	DRAWN	J.B.K.	92 MAR 30	tyco / Electronics / Raychem WIRE AND HARNESSING PRODUCTS 307 CONSTITUTION DRIVE MENLO PARK, CALIFORNIA 94025		
	CHECKED					
	APPROVED					
	APPROVED	Z.TEMAN	92 OCT 15			
ALL CABLE LENGTHS: +1.00 -0.00	CAD NAME	T29138		TITLE BELL WEATHER RADAR BUS		
WEIGHT	THIRD ANGLE PROJECTION	SIZE	CODE	IDENT. NO.	DWG. NO.	REV
△	⊕	A	06090	D-600-0170-1/-2	F	1
DO NOT SCALE THIS DRAWING				SHEET 1 OF 1		