

MODEL:

# SRSHELF4PKYBD

## SmartRack® 1U Sliding Shelf / Keyboard Drawer



25 lb.  
Load Capacity



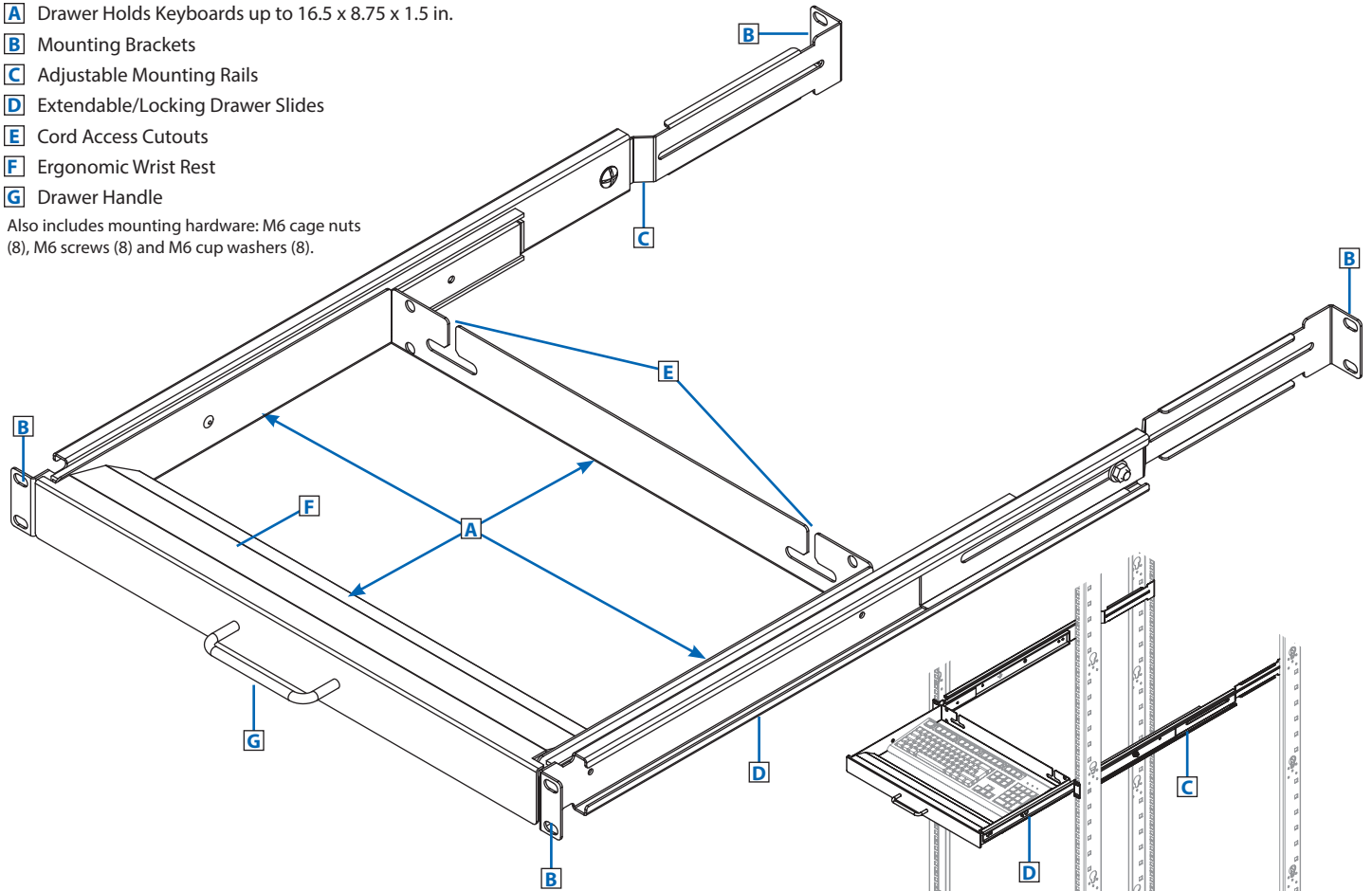
Adjustable  
Mounting Depth



Sturdy Steel  
Construction

- A** Drawer Holds Keyboards up to 16.5 x 8.75 x 1.5 in.
- B** Mounting Brackets
- C** Adjustable Mounting Rails
- D** Extendable/Locking Drawer Slides
- E** Cord Access Cutouts
- F** Ergonomic Wrist Rest
- G** Drawer Handle

Also includes mounting hardware: M6 cage nuts (8), M6 screws (8) and M6 cup washers (8).



SRSHELF4PKYBD is a 1U sliding shelf / keyboard drawer designed for installation in EIA-compliant 4-post racks. It can support up to 25 lb. of equipment, including compact keyboards and small laptops up to 16.5 x 8.75 x 1.5 in.

### Specifications

Model	SRSHELF4PKYBD
Load Rating	25 lb (11.3 kg)
Unit Dimensions (H x W x D)	1.73 x 19 x 28.9 in. (44 x 483 x 734 mm)
Shipping Dimensions (H x W x D)	1.93 x 19.29 x 30 in. (49 x 490 x 762 mm)
Unit Weight	7 lb (3.2 kg)
Shipping Weight	10 lb (4.5 kg)
Standards	NOM, GOST, RoHS

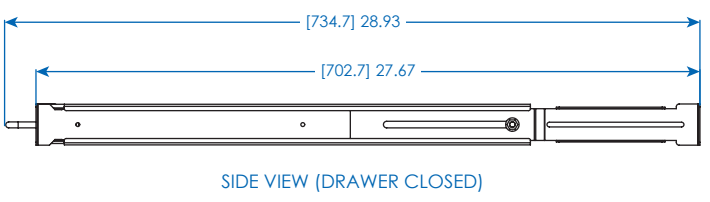
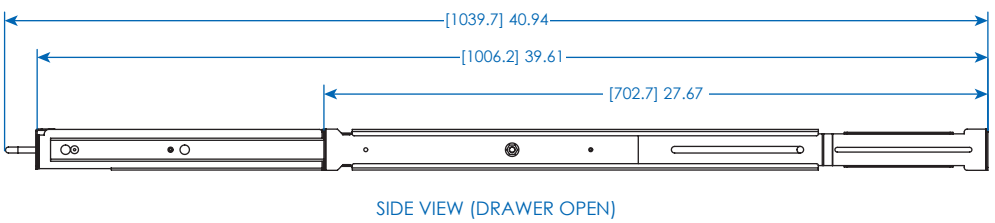
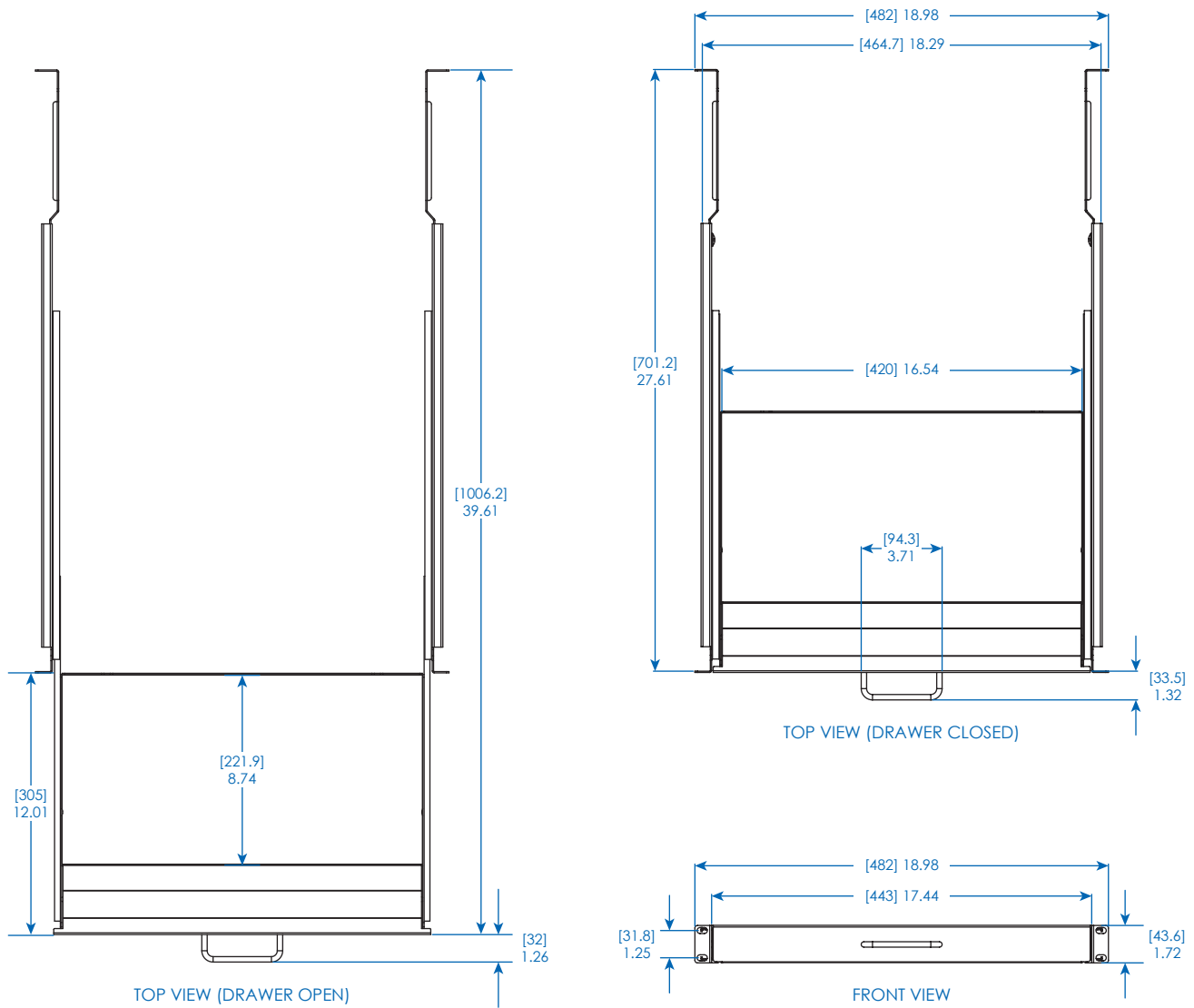
Tripp Lite has a policy of continuous improvement. Specifications are subject to change without notice.



SEE NEXT PAGE FOR DETAILED UNIT MEASUREMENTS



1111 W. 35th Street  
Chicago, IL 60609 USA  
773.869.1234  
www.triplite.com



MODEL:  
**SRSHELF4PKYBD**  


1111 W. 35th Street  
 Chicago, IL 60609 USA  
 773.869.1234  
 www.tripplite.com

Dimensions: [mm] INCHES

Tripp Lite has a policy of continuous improvement. Specifications are subject to change without notice.