

DELPHI SERIES



FEATURES

- ♦ High efficiency: 94.3% @ 12Vin, 5V/6A out
- ♦ Small size and low profile:
- ♦ 12.2x 12.2x 7.45mm (0.48"x 0.48"x 0.293")
- ♦ Surface mount packaging
- ♦ Standard footprint
- ♦ Voltage and resistor-based trim
- ♦ Pre-bias startup
- ♦ Output voltage tracking
- ♦ No minimum load required
- ♦ Output voltage programmable from 0.59Vdc to 5.0Vdc via external resistor
- ♦ Fixed frequency operation
- ♦ Input UVLO, output OCP
- ♦ Remote on/off
- ♦ ISO 9001, TL 9000, ISO 14001, QS9000, OHSAS18001 certified manufacturing facility
- ♦ UL/cUL 60950-1 (US & Canada)
- ♦ CE mark meets 73/23/EEC and 93/68/EEC directives

Delphi DCS, Non-Isolated Point of Load DC/DC Power Modules: 4.5~14Vin, 0.59-5.0V/6Aout

The Delphi Series DCS, 4.5-14V input, single output, non-isolated Point of Load DC/DC converters are the latest offering from a world leader in power systems technology and manufacturing -- Delta Electronics, Inc. The DCS series provides a programmable output voltage from 0.59 V to 5.0V using an external resistor and has flexible and programmable tracking features to enable a variety of startup voltages as well as tracking between power modules. This product family is available in surface mount and provides up to 6A of output current in an industry standard footprint. With creative design technology and optimization of component placement, these converters possess outstanding electrical and thermal performance, as well as extremely high reliability under highly stressful operating conditions.

OPTIONS

- ♦ Negative/Positive on/off logic
- ♦ Tracking feature

APPLICATIONS

- ♦ Telecom / DataCom
- ♦ Distributed power architectures
- ♦ Servers and workstations
- ♦ LAN / WAN applications
- ♦ Data processing applications

TECHNICAL SPECIFICATIONS

(T_A = 25°C, airflow rate = 300 LFM, V_{in} = 4.5Vdc and 14Vdc, nominal V_{out} unless otherwise noted.)

PARAMETER	NOTES and CONDITIONS	DCS12S0A0S06NFA			
		Min.	Typ.	Max.	Units
ABSOLUTE MAXIMUM RATINGS					
Input Voltage (Continuous)		-0.3		15	V
Sequencing Voltage		-0.3		V _{in} max	V
Operating Ambient Temperature		-40		85	°C
Storage Temperature		-55		125	°C
INPUT CHARACTERISTICS					
Operating Input Voltage	V _o ≤ V _{in} - 0.6	4.5		14.0	V
Input Under-Voltage Lockout					
Turn-On Voltage Threshold				4.4	V
Turn-Off Voltage Threshold		3.2			V
Lockout Hysteresis Voltage		0.4			V
Maximum Input Current	V _{in} =4.5V to 14V, I _o =I _{o,max}			6.0	A
No-Load Input Current (V _{IN} = 12.0Vdc, I _o = 0, module enabled)	V _{o,set} = 0.6 Vdc V _{o,set} = 3.3 Vdc		10		mA
Off Converter Input Current (V _{IN} = 12.0Vdc, module disabled)			0.8		mA
Inrush Transient				1	A2S
Input Reflected Ripple Current, peak-to-peak	(5Hz to 20MHz, 1μH source impedance; V _{in} = 0 to 14V,		86		mA _{p-p}
OUTPUT CHARACTERISTICS					
Output Voltage Set Point	with 0.5% tolerance for external resistor used to set output voltage)	-1.5	V _{o,set}	+1.5	%V _{o,set}
Output Voltage Adjustable Range	(selected by an external resistor)	0.59		5.0	V
Output Voltage Regulation					
Line (V _{IN} =V _{IN} , min to V _{IN} , max)	For V _o ≥ 2.5V			0.4	%V _{o,set}
	For V _o < 2.5V			10	mV
Load (I _o =I _o , min to I _o , max)	For V _o ≥ 2.5V			10	mV
	For V _o < 2.5V			5	mV
Temperature (T _{ref} =T _A , min to T _A , max)	For V _o ≥ 2.5V			0.4	%V _{o,set}
	For V _o < 2.5V			5	mV
Total Output Voltage Range	Over sample load, line and temperature	-2.5		+2.5	%V _{o,set}
Output Voltage Ripple and Noise	5Hz to 20MHz bandwidth				
Peak-to-Peak	Full Load, 1μF+10μF ceramic+47μF ceramic		30	60	mV
RMS	Full Load, 1μF+10μF ceramic+47μF ceramic		10	20	mV
Output Current Range		0		6	A
Output Voltage Over-shoot at Start-up	V _{out} =5.0V			3	% V _{o,set}
Output DC Current-Limit Inception				225	% I _o
Output Short-Circuit Current (Hiccup Mode)	I _o , s/c		0.5		Adc
DYNAMIC CHARACTERISTICS					
Dynamic Load Response	10μF Tan & 1μF Ceramic load cap, 2.5A/μs				
Positive Step Change in Output Current	50% I _o , max to 100% I _o , max		200		mV
Negative Step Change in Output Current	100% I _o , max to 50% I _o , max		200		mV
Settling Time to 10% of Peak Deviation			20		μs
Turn-On Transient	I _o =I _{o,max}				
Start-Up Time, From On/Off Control	Time for V _{on/off} to V _o =10% of V _{o,set}		2		ms
Start-Up Time, From Input	Time for V _{in} =V _{in,min} to V _o =10% of V _{o,set}		2		ms
Output Voltage Rise Time	Time for V _o to rise from 10% to 90% of V _{o,set}		4		ms
Output Capacitive Load	Full load; ESR ≥ 0.15mΩ	47		800	μF
	Full load; ESR ≥ 10mΩ	47		1800	μF
EFFICIENCY					
V _o =5.0V	V _{in} =12V, 100% Load		94.3		%
V _o =2.5V	V _{in} =12V, 100% Load		90.5		%
V _o =1.2V	V _{in} =12V, 100% Load		82.9		%
V _o =0.59V	V _{in} =12V, 100% Load		71.5		%
FEATURE CHARACTERISTICS					
Switching Frequency			600		kHz
ON/OFF Control, (Negative logic)					
Logic Low Voltage	Module On, V _{on/off}	-0.2		0.6	V
Logic High Voltage	Module Off, V _{on/off}	3.5		V _{in,max}	V
Logic Low Current	Module On, I _{on/off}			10	μA
Logic High Current	Module Off, I _{on/off}			1	mA
ON/OFF Control, (Positive Logic)					
Logic High Voltage	Module On, V _{on/off}	3.0		V _{in,max}	V
Logic Low Voltage	Module Off, V _{on/off}	-0.3		0.6	V
Logic Low Current	Module On, I _{on/off}			1	mA
Logic High Current	Module Off, I _{on/off}			10	μA
Tracking Slew Rate Capability		0.1		2	V/msec
Tracking Delay Time	Delay from V _{in,min} to application of tracking voltage	10			ms
Tracking Accuracy	Power-up 2V/mS			100	mV
	Power-down 1V/mS			100	mV
GENERAL SPECIFICATIONS					
MTBF	I _o =80% of I _o , max; T _a =25°C	17			M hours
Weight			1.6		grams



CHARACTERISTICS CURVES

The following figures provide Converter Efficiency versus output current

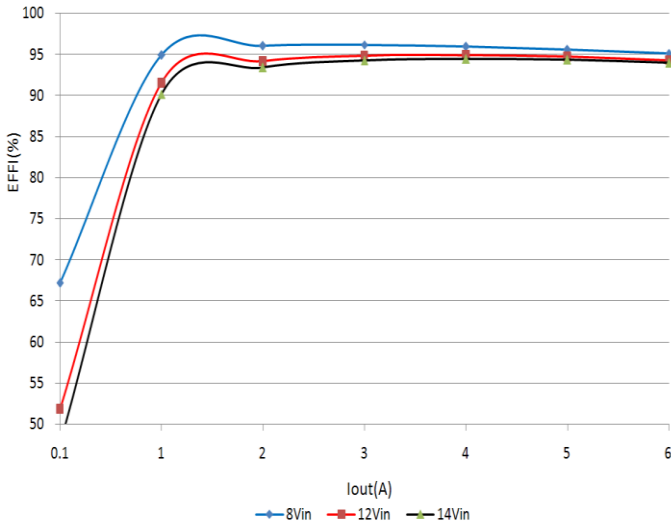


Figure 1: Converter efficiency vs. output current (5.0Vout)

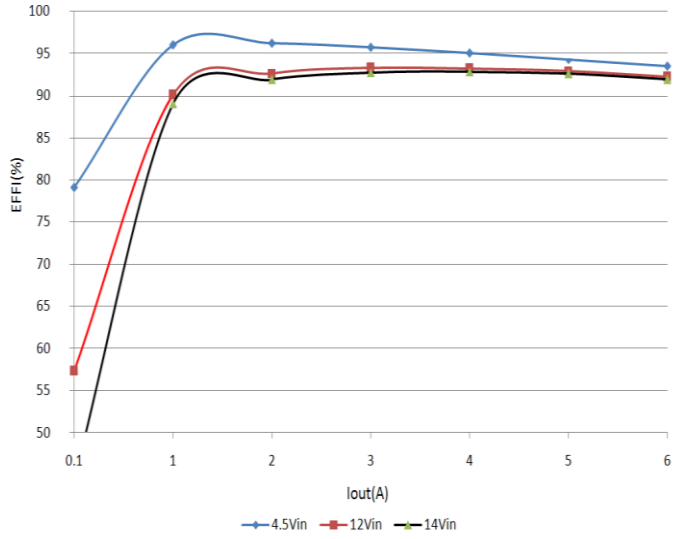


Figure 2: Converter efficiency vs. output current (3.3Vout)

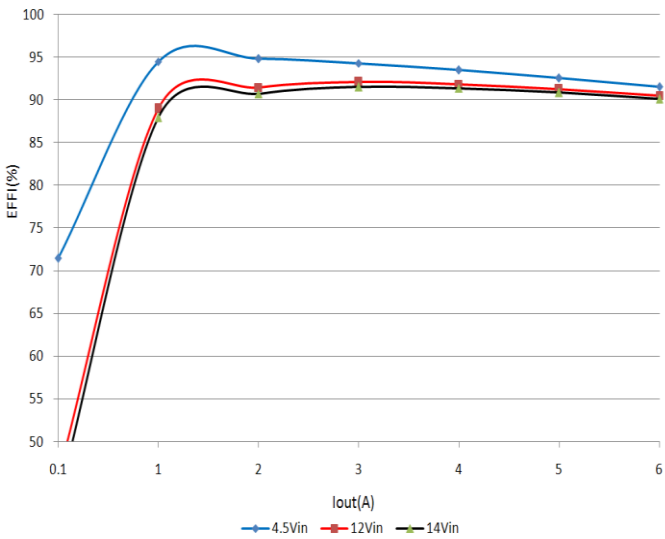


Figure 3: Converter efficiency vs. output current (2.5Vout)

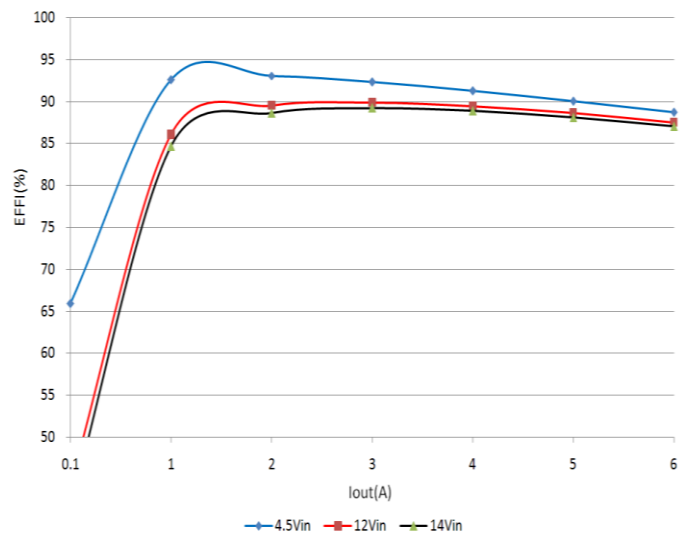


Figure 4: Converter efficiency vs. output current (1.8Vout)

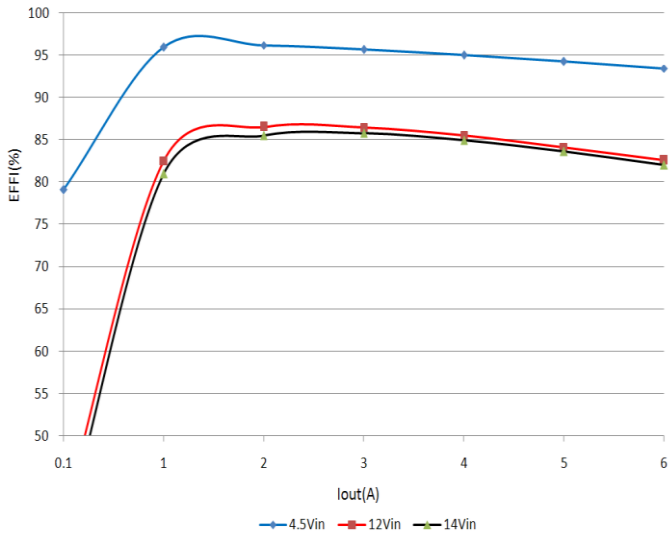


Figure 5: Converter efficiency vs. output current (1.2Vout)

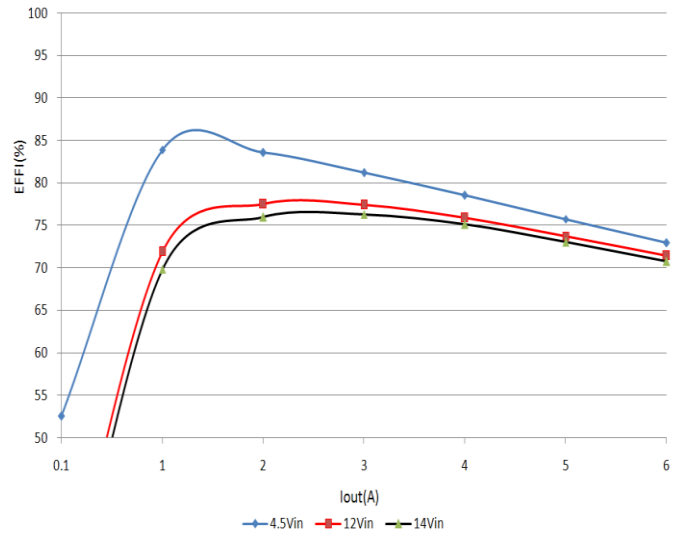


Figure 6: Converter efficiency vs. output current (0.59Vout)

The following figures provide typical output ripple and noise at 25°C

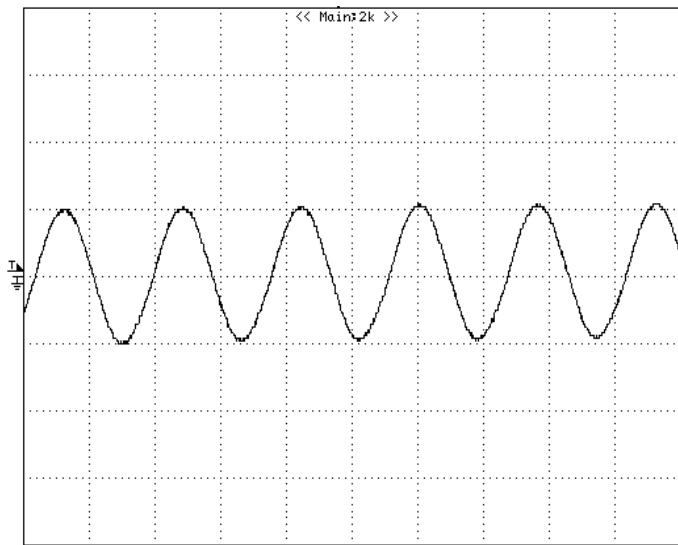


Figure 7: Output ripple & noise at 12Vin, 5.0V/6A out
CH1:VOUT, 20mV/div, 1uS/div

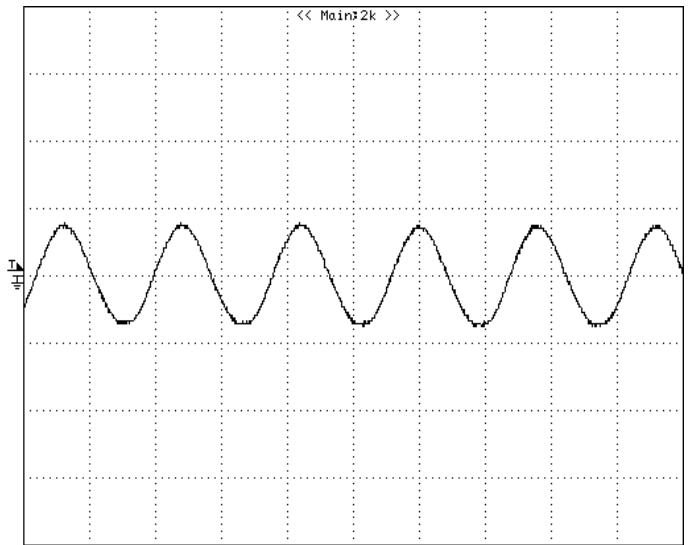


Figure 8: Output ripple & noise at 12Vin, 3.3V/6A out
CH1:VOUT, 20mV/div, 1uS/div

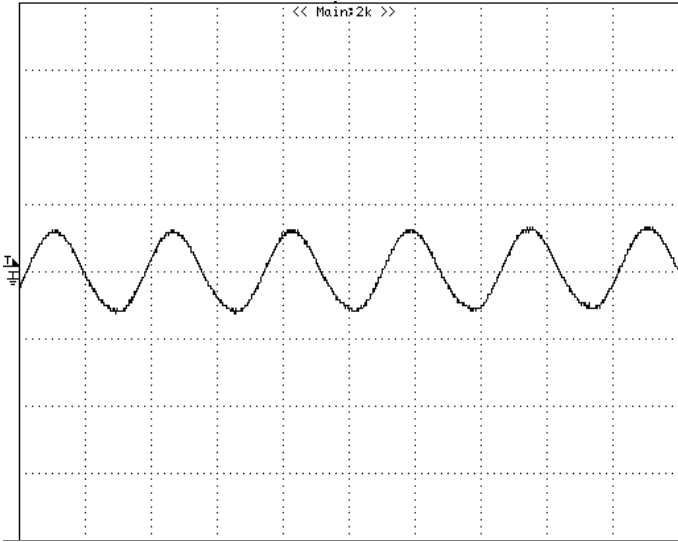


Figure 9: Output ripple & noise at 12Vin, 2.5V/6A out
CH1:VOUT, 20mV/div, 1uS/div

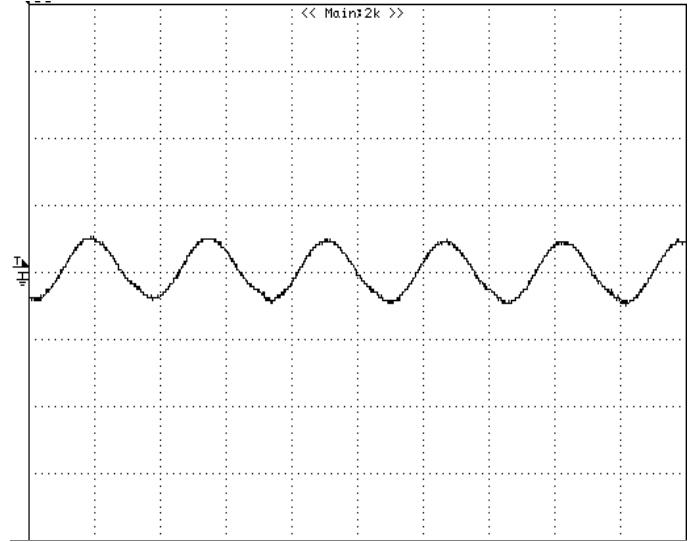


Figure 10: Output ripple & noise at 12Vin, 1.8V/6A out
CH1:VOUT, 20mV/div, 1uS/div

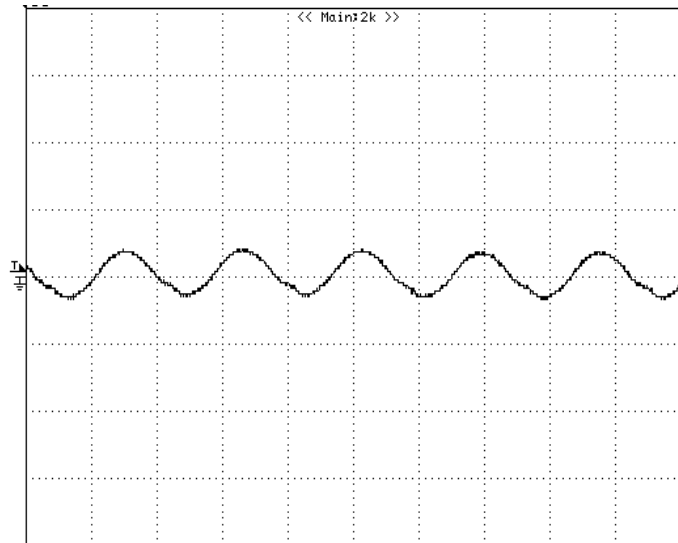


Figure 11: Output ripple & noise at 12Vin, 1.2 V/6A out
CH1:VOUT, 20mV/div, 1uS/div

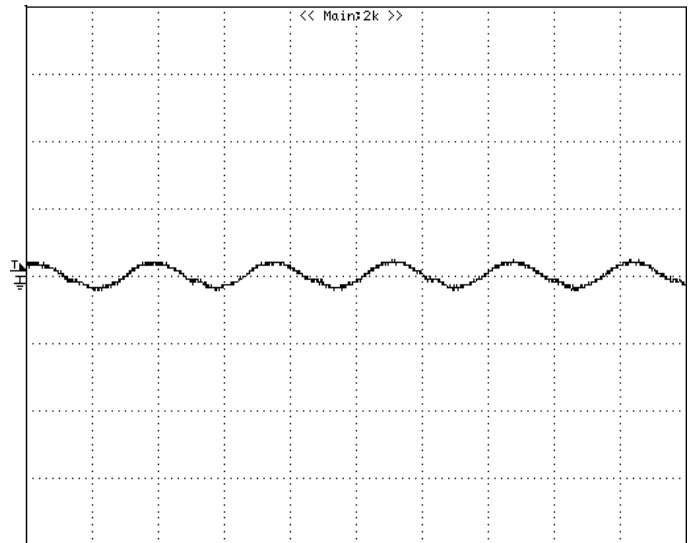


Figure 12: Output ripple & noise at 12Vin, 0.59 V/6A out
CH1:VOUT, 20mV/div, 1uS/div



The following figures provide typical start-up using input voltage at 25°C

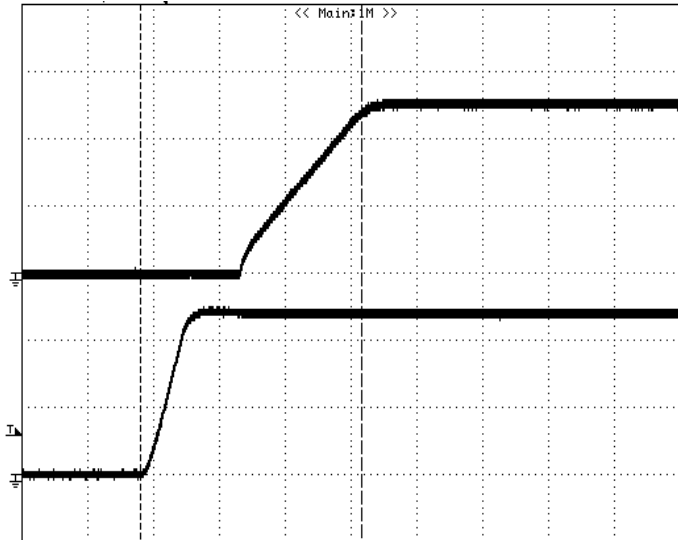


Figure 13: Turn on delay time at 12Vin, 5.0V/6A out
(Top trace : VOUT, 2V/div; Bottom trace: VIN, 5V/div; 2mS/div)

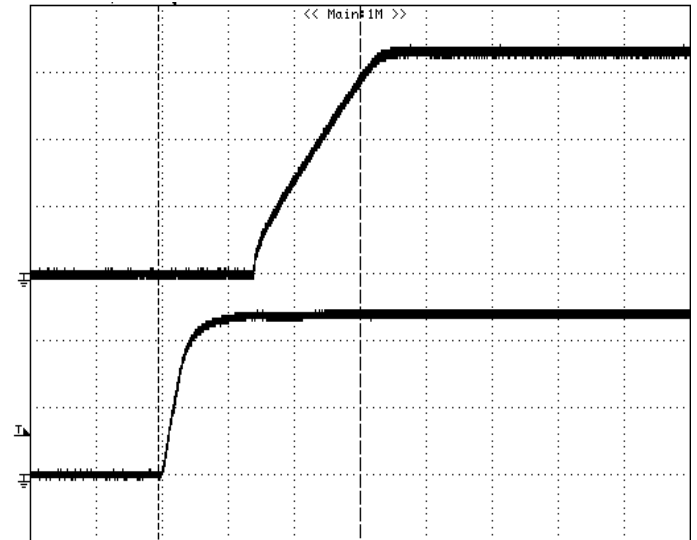


Figure 14: Turn on delay time at 12Vin, 3.3V/6A out
(Top trace: VOUT, 1V/div; Bottom trace: VIN, 5V/div; 2mS/div)

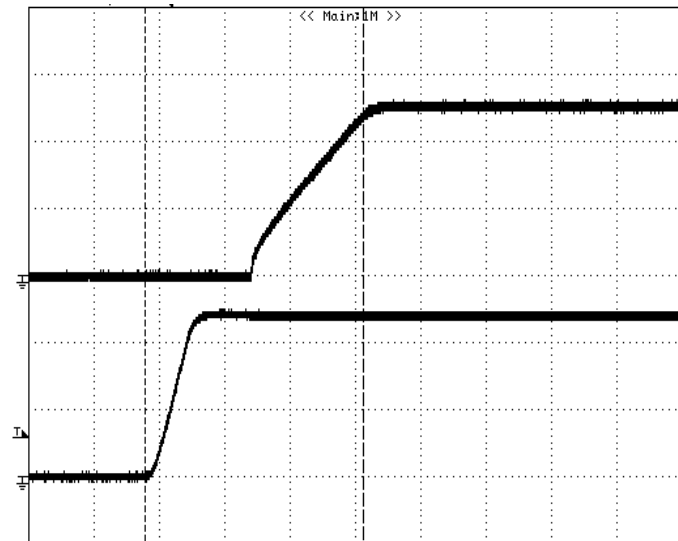


Figure 15: Turn on delay time at 12Vin, 2.5V/6A out
Top trace: VOUT, 1V/div; Bottom trace: VIN, 5V/div; 2mS/div)

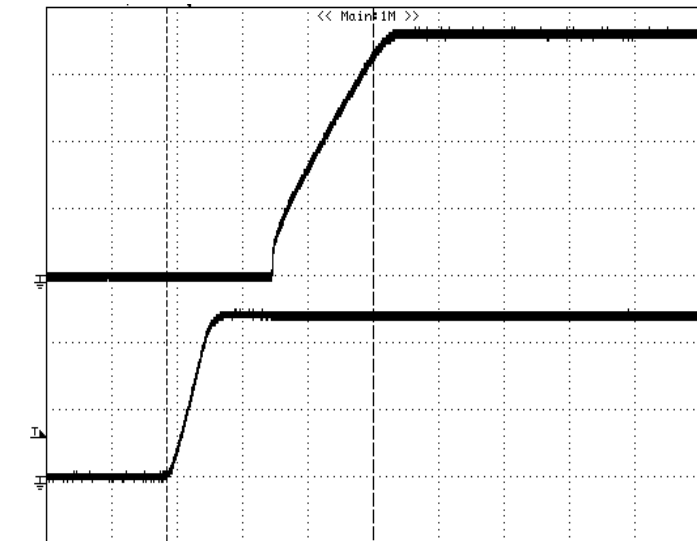


Figure 16: Turn on delay time at 12Vin, 1.8V/6A out
(Top trace : VOUT, 0.5V/div, Bottom trace: VIN, 5V/div; 2mS/div)

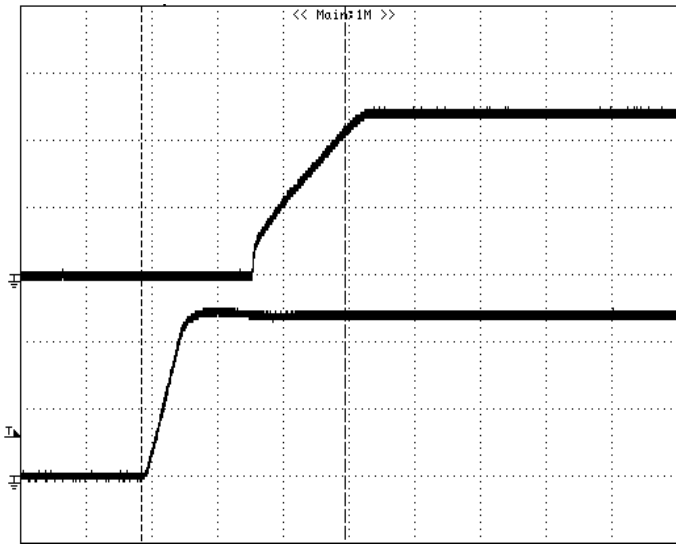


Figure 17: Turn on delay time at 12Vin, 1.2V/6A out
 (Top trace: VOUT, 0.5V/div; Bottom trace: VIN, 5V/div; 2mS/div)

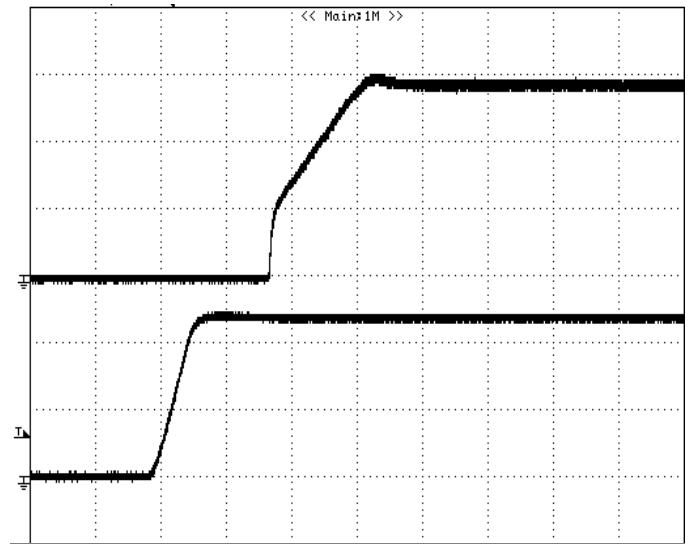


Figure 18: Turn on delay time at 12Vin, 0.59V/6A out
 (Top trace: VOUT, 0.2V/div; Bottom trace: VIN, 5V/div; 2mS/div)

The following figures provide transient response to dynamic load change at 25°C

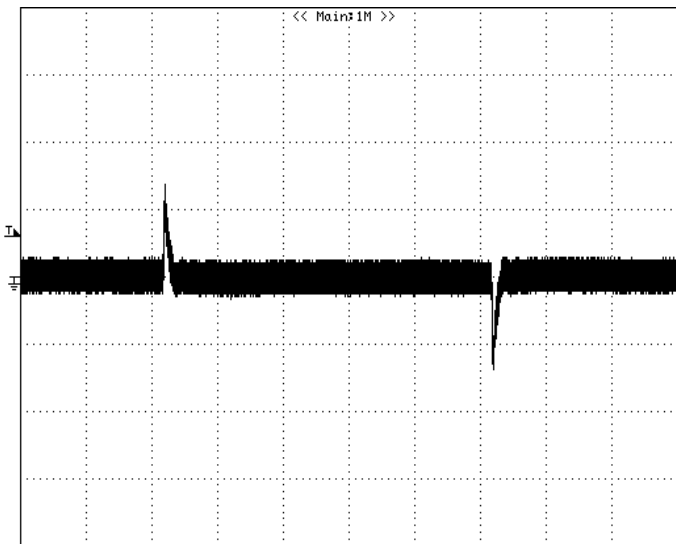


Figure 19: Typical transient response to step load change at 1A/μS from 100%~ 50%~100% of Io, max at 12Vin, 5.0Vout (Cout = 1uF ceramic, 47uF+10μFceramic)
 CH1 : VOUT, 0.1V/div, 200uS/div

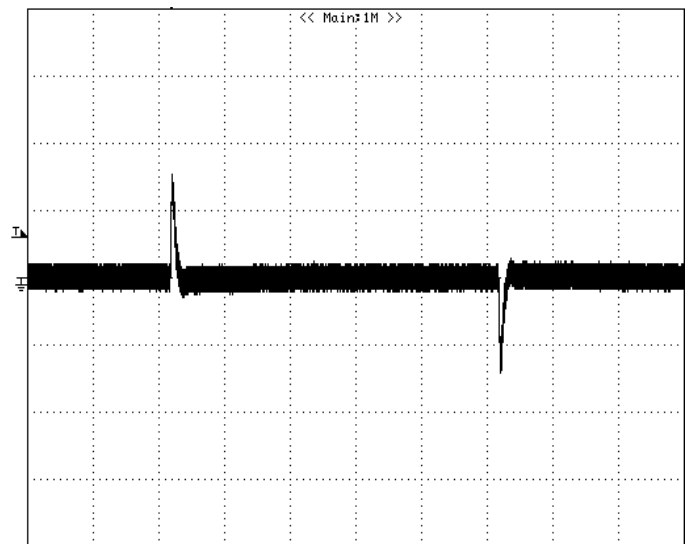


Figure 20: Typical transient response to step load change at 1A/μS from 100%~ 50%~100% of Io, max at 12Vin, 3.3Vout (Cout = 1uF ceramic, 47uF+10μFceramic)
 CH1 : VOUT, 0.1V/div, 200uS/div

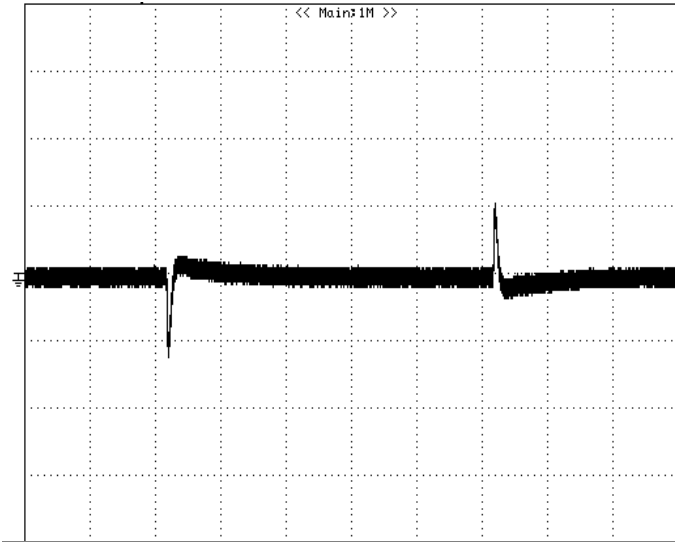


Figure 21: Typical transient response to step load change at $1A/\mu S$ from 100%~ 50%~100% of I_o , max at 12Vin, 2.5Vout ($C_{out} = 1\mu F + 47\mu F + 10\mu F$ ceramic)
CH1 : VOUT, 0.1V/div, 200uS/div



Figure 22: Typical transient response to step load change at $1A/\mu S$ from 100%~ 50%~100% of I_o , max at 12Vin, 1.8Vout ($C_{out} = 1\mu F + 47\mu F + 10\mu F$ ceramic)
CH1 : VOUT, 0.1V/div, 200uS/div

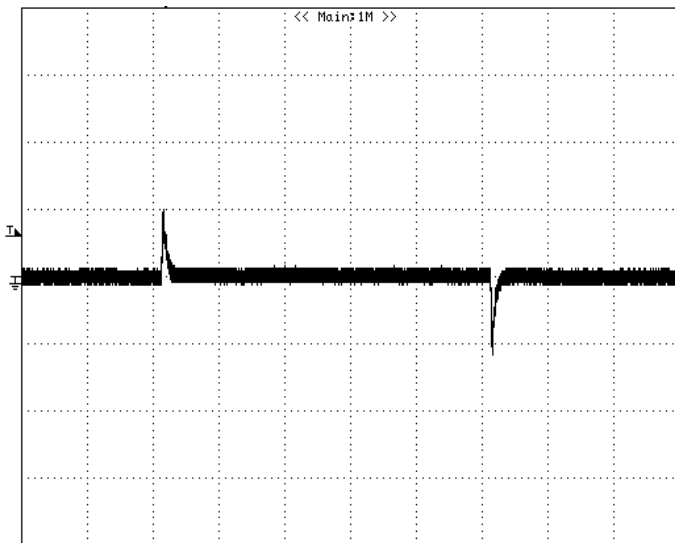


Figure 23: Typical transient response to step load change at $1A/\mu S$ from 100%~ 50%~100% of I_o , max at 12Vin, 1.2Vout ($C_{out} = 1\mu F + 47\mu F + 10\mu F$ ceramic)
CH1 : VOUT, 0.1V/div, 200uS/div

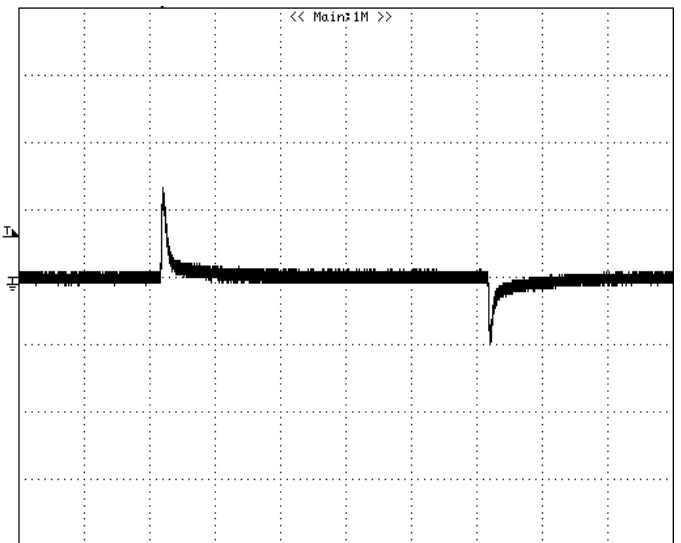


Figure 24: Typical transient response to step load change at $1A/\mu S$ from 100%~ 50%~100% of I_o , max at 12Vin, 0.59Vout ($C_{out} = 1\mu F + 47\mu F + 10\mu F$ ceramic)
CH1 : VOUT, 0.1V/div, 200uS/div



The following figures provide output short circuit current at 25°C

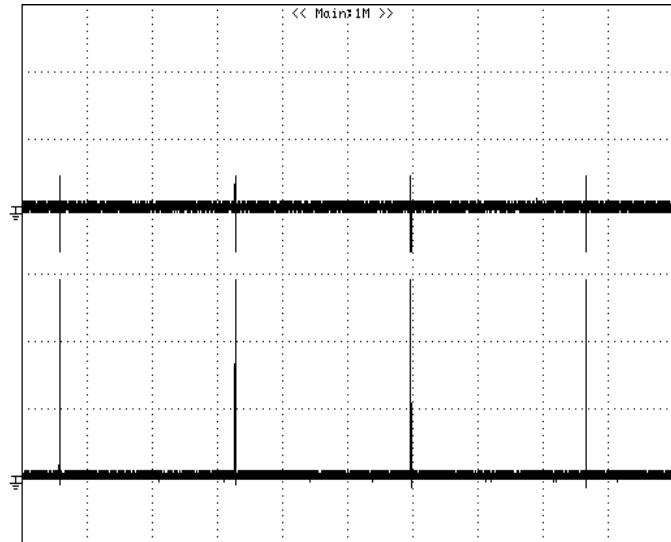


Figure 25: Output short circuit current 12Vin, 5.0Vout
Top trace: Vo, 1V/div; Bottom trace: Io, 5A/div; 20ms/div

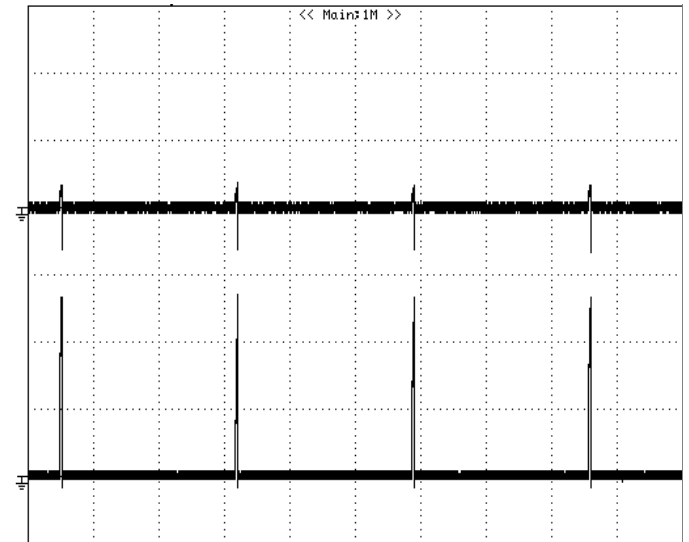


Figure 26: Output short circuit current 12Vin, 0.59 Vout
Top trace: Vo, 1V/div ;Bottom trace: Io, 5A/div; 20ms/div

The following figures provide output short circuit current at 25°C

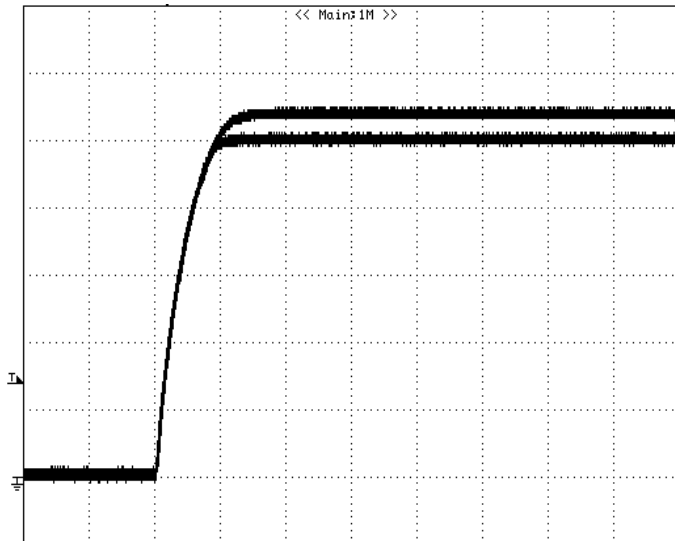


Figure 27: Tracking function, Vtracking=5.5 V, Vout= 5.0V, full load
Top trace: Vtracking, 1V/div; Bottom trace: Vout, 1 V/div; 1ms/div

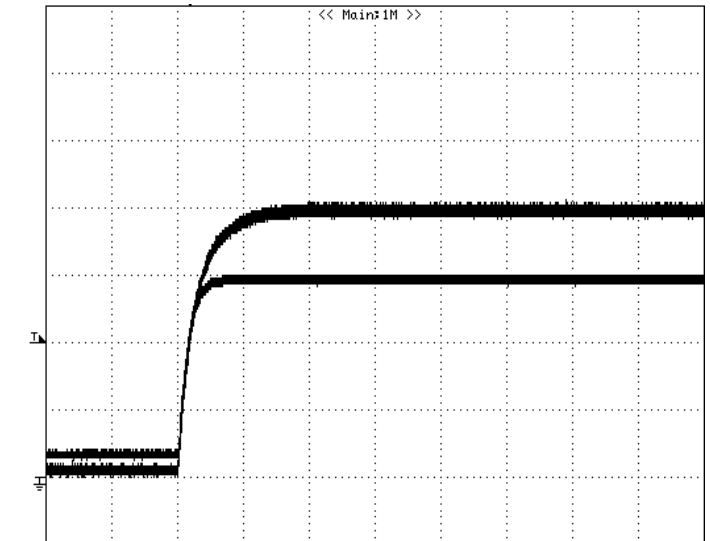
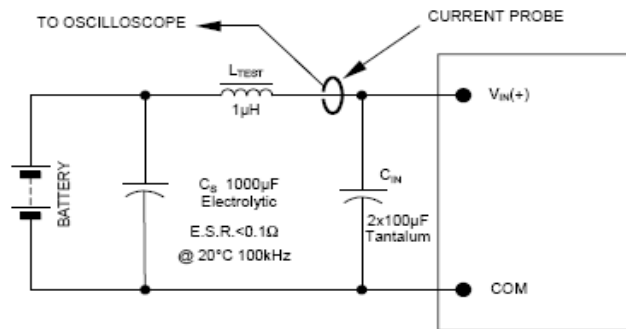


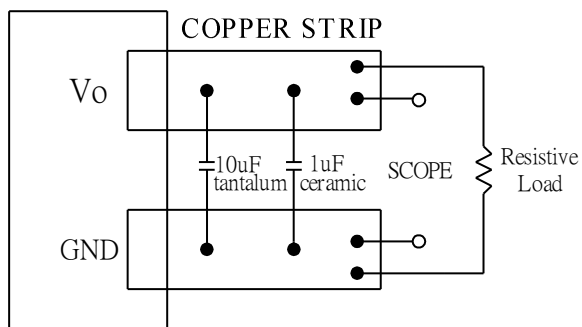
Figure 28: Tracking function, Vtracking=0.8V, Vout= 0.59V, full load
Top trace: Vtracking, 0.2V/div; Bottom trace: Vout, 0.2 V/div; 1ms/div

TEST CONFIGURATIONS



NOTE: Measure input reflected ripple current with a simulated source inductance (L_{TEST}) of $1\mu\text{H}$. Capacitor C_S offsets possible battery impedance. Measure current as shown above.

Figure 29: Input reflected-ripple test setup



Note: Use a $10\mu\text{F}$ tantalum and $1\mu\text{F}$ capacitor. Scope measurement should be made using a BNC connector.

Figure 30: Peak-peak output noise and startup transient measurement test setup.

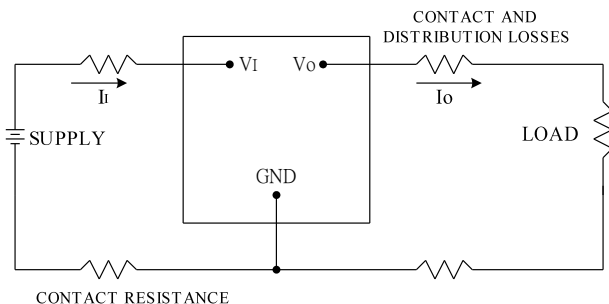


Figure 31: Output voltage and efficiency measurement test setup

Note: All measurements are taken at the module terminals. When the module is not soldered (via socket), place Kelvin connections at module terminals to avoid measurement errors due to contact resistance.

$$\eta = \left(\frac{V_o \times I_o}{V_i \times I_i} \right) \times 100 \quad \%$$

DESIGN CONSIDERATIONS

Input Source Impedance

To maintain low noise and ripple at the input voltage, it is critical to use low ESR capacitors at the input to the module. A highly inductive source can affect the stability of the module. An input capacitance must be placed close to the modules input pins to filter ripple current and ensure module stability in the presence of inductive traces that supply the input voltage to the module.

DESIGN CONSIDERATIONS (CON.)

Safety Considerations

For safety-agency approval the power module must be installed in compliance with the spacing and separation requirements of the end-use safety agency standards.

For the converter output to be considered meeting the requirements of safety extra-low voltage (SELV), the input must meet SELV requirements. The power module has extra-low voltage (ELV) outputs when all inputs are ELV.

The input to these units is to be provided with a maximum 10A fuse in the ungrounded lead.

Input Under voltage Lockout

At input voltages below the input under voltage lockout limit, the module operation is disabled. The module will begin to operate at an input voltage above the under voltage lockout turn-on threshold.

Over-Current Protection

To provide protection in an output over load fault condition, the unit is equipped with internal over-current protection. When the over-current protection is triggered, the unit enters hiccup mode. The units operate normally once the fault condition is removed.

FEATURES DESCRIPTIONS

Remote On/Off

The DCS series power modules have an On/Off pin for remote On/Off operation. Both positive and negative On/Off logic options are available in the DCS series power modules.

For positive logic module, connect an open collector (NPN) transistor or open drain (N channel) MOSFET between the On/Off pin and the GND pin (see figure 32). Positive logic On/Off signal turns the module ON during the logic high and turns the module OFF during the logic low. When the positive On/Off function is not used, leave the pin floating or tie to V_{in} (module will be On).

For negative logic module, the On/Off pin is pulled high with an external pull-up $5k\Omega$ resistor (see figure 33). Negative logic On/Off signal turns the module OFF during logic high and turns the module ON during logic low. If the negative On/Off function is not used, leave the pin floating or tie to GND. (module will be on)

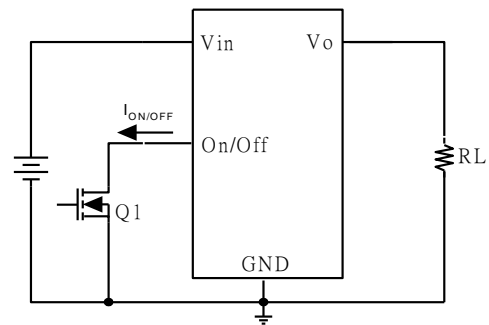


Figure 32: Positive remote On/Off implementation

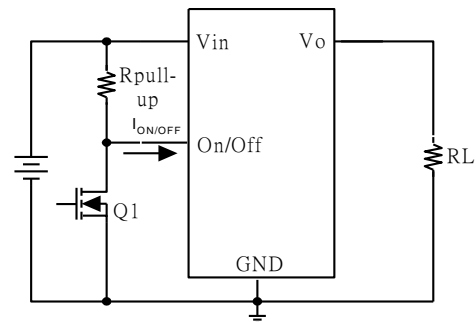


Figure 33: Negative remote On/Off implementation



FEATURES DESCRIPTIONS (CON.)

Remote Sense

The DCS provide V_o remote sensing to achieve proper regulation at the load points and reduce effects of distribution losses on output line. In the event of an open remote sense line, the module shall maintain local sense regulation through an internal resistor. The module shall correct for a total of 0.5V of loss. The remote sense line impedance shall be $< 10\Omega$.

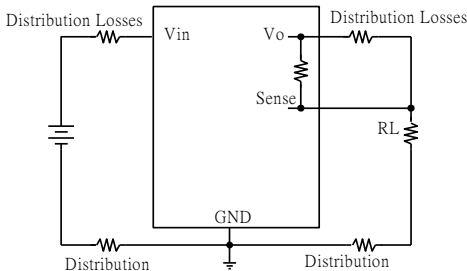


Figure 34: Effective circuit configuration for remote sense operation

Output Voltage Programming

The output voltage of the DCS can be programmed to any voltage between 0.59Vdc and 5.0Vdc by connecting one resistor (shown as R_{trim} in Figure 35) between the TRIM and GND pins of the module. Without this external resistor, the output voltage of the module is 0.59 Vdc. To calculate the value of the resistor R_{trim} for a particular output voltage V_o , please use the following equation:

$$R_{trim} = \left[\frac{5.91}{V_o - 0.591} \right] K\Omega$$

R_{trim} is the external resistor in $k\Omega$

V_o is the desired output voltage.

For example, to program the output voltage of the DNS module to 5.0Vdc, R_{trim} is calculated as follows:

$$R_{trim} = \left[\frac{5.91}{5.0 - 0.591} \right] K\Omega = 1.34K\Omega$$

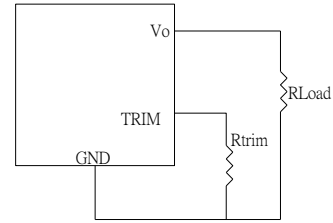


Figure 35: Circuit configuration for programming output voltage using an external resistor

Table 1 provides R_{trim} values required for some common output voltages, By using a 0.5% tolerance trim resistor, set point tolerance of $\pm 1.5\%$ can be achieved as specified in the electrical specification.

Table 1

$V_o(V)$	$R_{trim}(K\Omega)$
0.590	Open
0.600	656.700
1.000	14.450
1.200	9.704
1.500	6.502
1.800	4.888
2.500	3.096
3.300	2.182
5.000	1.340

Certain restrictions apply on the output voltage set point depending on the input voltage. These are shown in the Output Voltage vs. Input Voltage Set Point Area plot in Figure 36. The Upper Limit curve shows that for output voltages of 0.9V and lower, the input voltage must be lower than the maximum of 14V. The Lower Limit curve shows that for output voltages of 3.8V and higher, the input voltage needs to be larger than the minimum of 4.5V.

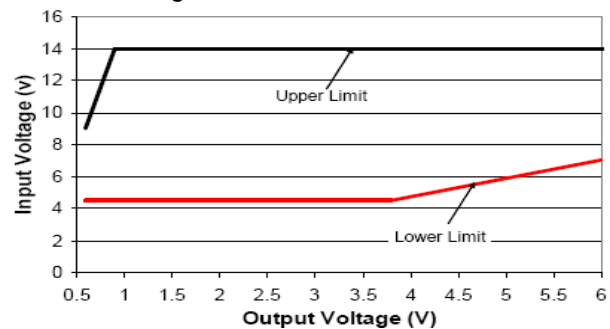


Figure 36: Output Voltage vs. Input Voltage Set Point Area plot showing limits where the output voltage can be set for different input voltages.

FEATURE DESCRIPTIONS (CON.)

Voltage Margining

Output voltage margining can be implemented in the DCS modules by connecting a resistor, $R_{margin-up}$, from the Trim pin to the ground pin for margining-up the output voltage and by connecting a resistor, $R_{margin-down}$, from the Trim pin to the output pin for margining-down. Figure 37 shows the circuit configuration for output voltage margining. If unused, leave the trim pin unconnected. A calculation tool is available from the evaluation procedure which computes the values of $R_{margin-up}$ and $R_{margin-down}$ for a specific output voltage and margin percentage.

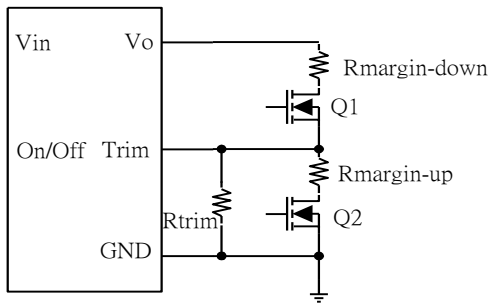


Figure 37: Circuit configuration for output voltage margining

Output Voltage Sequencing

The DCS 12V 6A modules include a sequencing feature, EZ-SEQUENCE that enables users to implement various types of output voltage sequencing in their applications. This is accomplished via an additional sequencing pin. When not using the sequencing feature, either tie the SEQ pin to VIN or leave it unconnected.

When an analog voltage is applied to the SEQ pin, the output voltage tracks this voltage until the output reaches the set-point voltage. The final value of the SEQ voltage must be set higher than the set-point voltage of the module. The output voltage follows the voltage on the SEQ pin on a one-to-one basis. By connecting multiple modules together, multiple modules can track their output voltages to the voltage applied on the SEQ pin.

For proper voltage sequencing, first, input voltage is applied to the module. The On/Off pin of the module is left unconnected (or tied to GND for negative logic modules or tied to VIN for positive logic modules) so that the module is ON by default. After applying input voltage to the module, a minimum 10msec delay is required before applying voltage on the SEQ pin. This delay gives the module enough time to complete its internal power-up soft-start cycle. During the delay time, the SEQ pin should be held close to ground (nominally $50\text{mV} \pm 20\text{mV}$). This is required to keep the internal op-amp out of saturation thus preventing output overshoot during the start of the sequencing ramp. By selecting resistor R1 (see Figure. 39) according to the following equation

$$R1 = \left[\frac{24950}{V_{in} - 0.05} \right] \Omega$$

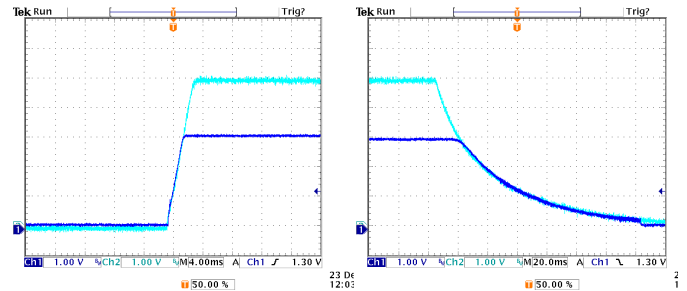


Figure 38: Sequential Start-up

The voltage at the sequencing pin will be 50mV when the sequencing signal is at zero.

FEATURE DESCRIPTIONS (CON.)

After the 10msec delay, an analog voltage is applied to the SEQ pin and the output voltage of the module will track this voltage on a one-to-one volt bases until the output reaches the set-point voltage. To initiate simultaneous shutdown of the modules, the SEQ pin voltage is lowered in a controlled manner. The output voltage of the modules tracks the voltages below their set-point voltages on a one-to-one basis. A valid input voltage must be maintained until the tracking and output voltages reach ground potential.

When using the EZ-SEQUENCETM feature to control start-up of the module, pre-bias immunity during startup is disabled. The pre-bias immunity feature of the module relies on the module being in the diode-mode during start-up. When using the EZ-SEQUENCETM feature, modules goes through an internal set-up time of 10msec, and will be in synchronous rectification mode when the voltage at the SEQ pin is applied. This will result in the module sinking current if a pre-bias voltage is present at the output of the module.

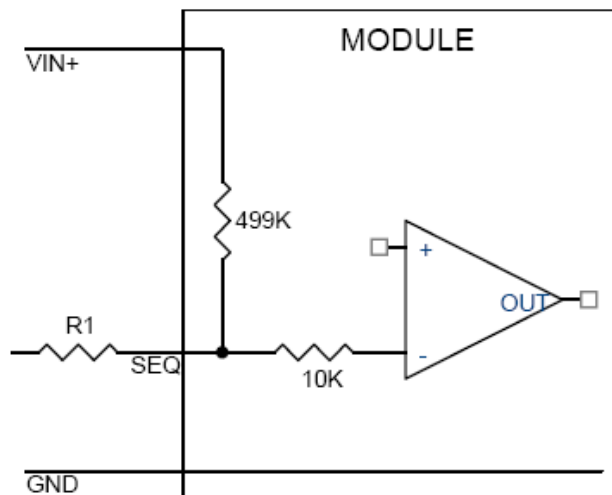


Figure 39: Circuit showing connection of the sequencing signal to the SEQ pin.

Power Good

The DCS modules provide a Power Good (PGOOD) signal that is implemented with an open-drain output to indicate that the output voltage is within the regulation limits of the power module. The PGOOD signal will be de-asserted to a low state if any condition such as over temperature, over current or loss of regulation occurs that would result in the output voltage going $\pm 10\%$ outside the set point value. The PGOOD terminal should be connected through a pull up resistor (suggested value 100K Ω) to a source of 5VDC or lower.

Monotonic Start-up and Shutdown

The DCS 6A modules have monotonic start-up and shutdown behavior for any combination of rated input voltage, output current and operating temperature range.



THERMAL CONSIDERATIONS

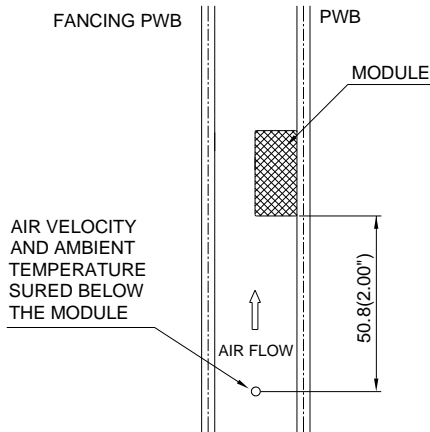
Thermal management is an important part of the system design. To ensure proper, reliable operation, sufficient cooling of the power module is needed over the entire temperature range of the module. Convection cooling is usually the dominant mode of heat transfer.

Hence, the choice of equipment to characterize the thermal performance of the power module is a wind tunnel.

Thermal Testing Setup

Delta's DC/DC power modules are characterized in heated vertical wind tunnels that simulate the thermal environments encountered in most electronics equipment. This type of equipment commonly uses vertically mounted circuit cards in cabinet racks in which the power modules are mounted.

The following figure shows the wind tunnel characterization setup. The power module is mounted on a test PWB and is vertically positioned within the wind tunnel.



Note: Wind Tunnel Test Setup Figure Dimensions are in millimeters and (Inches)

Figure 40: Wind tunnel test setup

Thermal Derating

Heat can be removed by increasing airflow over the module. To enhance system reliability, the power module should always be operated below the maximum operating temperature. If the temperature exceeds the maximum module temperature, reliability of the unit may be affected.

THERMAL CURVES

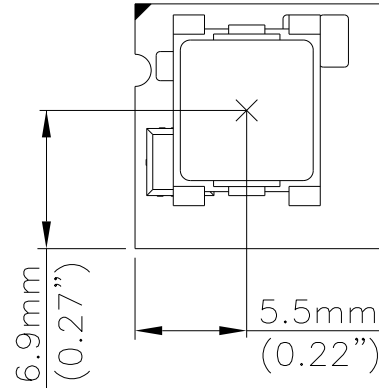


Figure 41: Temperature measurement location
The allowed maximum hot spot temperature is defined at 120°C

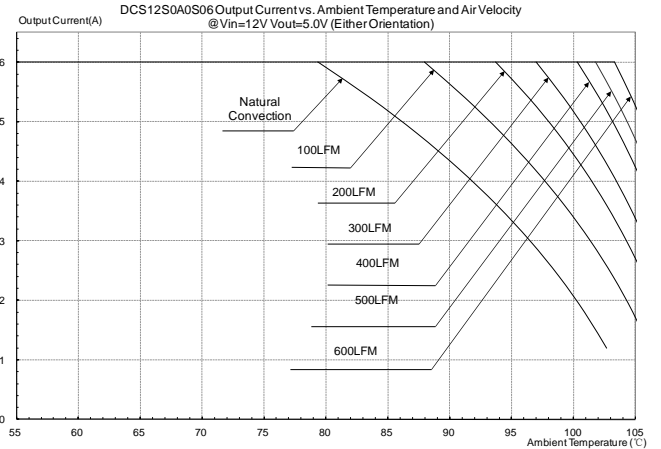


Figure 42: Output current vs. ambient temperature and air velocity @Vin=12V, Vout=5.0V(Either Orientation)

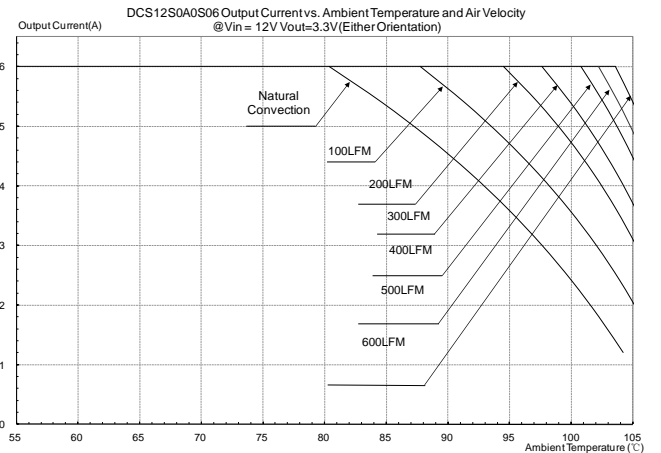


Figure 43: Output current vs. ambient temperature and air velocity @Vin=12V, Vout=3.3V(Either Orientation)

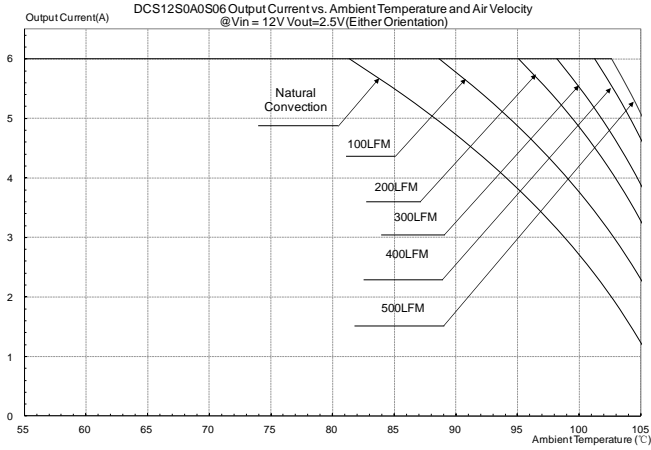


Figure 44: Output current vs. ambient temperature and air velocity @Vin=12V, Vout=2.5V(Either Orientation)

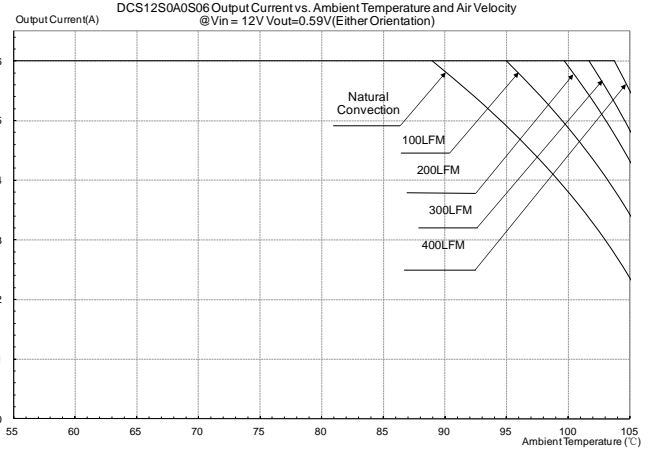


Figure 47: Output current vs. ambient temperature and air velocity @Vin=12V, Vout=0.59 V(Either Orientation)

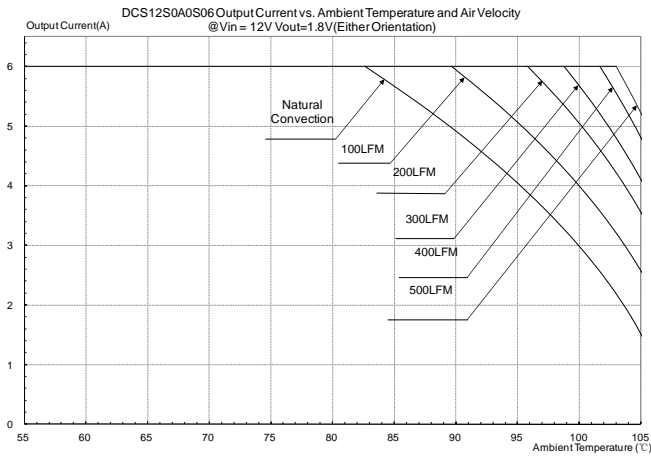


Figure 45: Output current vs. ambient temperature and air velocity @Vin=12V, Vout=1.8V(Either Orientation)

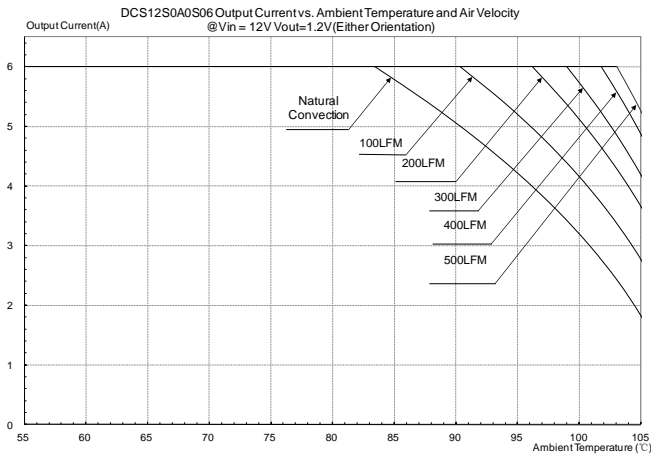
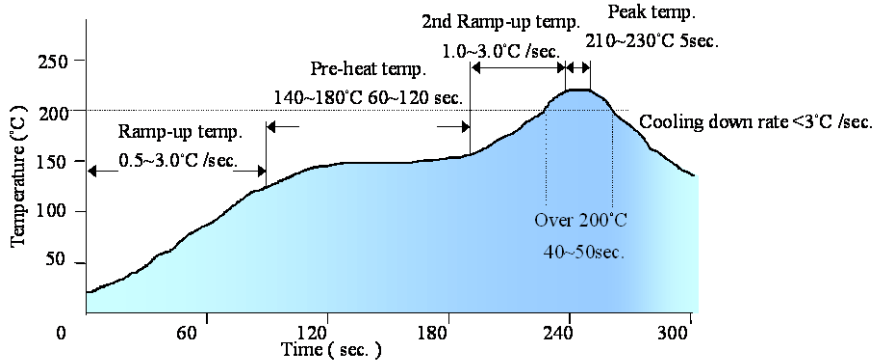


Figure 46: Output current vs. ambient temperature and air velocity @Vin=12V, Vout=1.2V(Either Orientation)

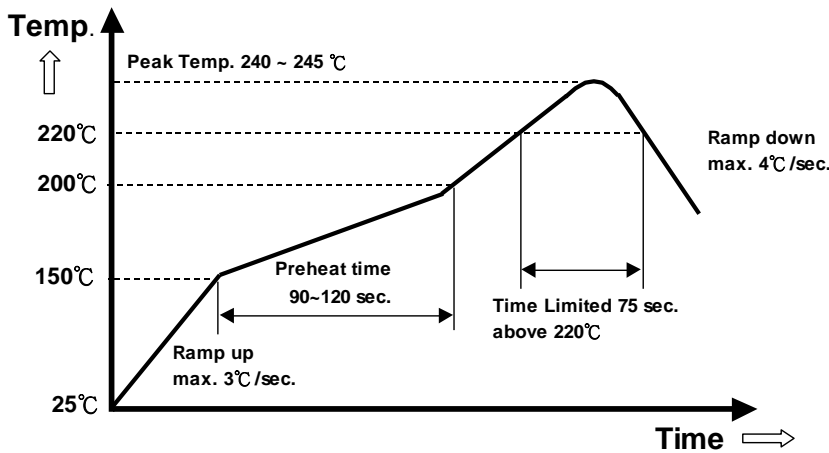


LEAD (Sn/Pb) PROCESS RECOMMEND TEMP. PROFILE



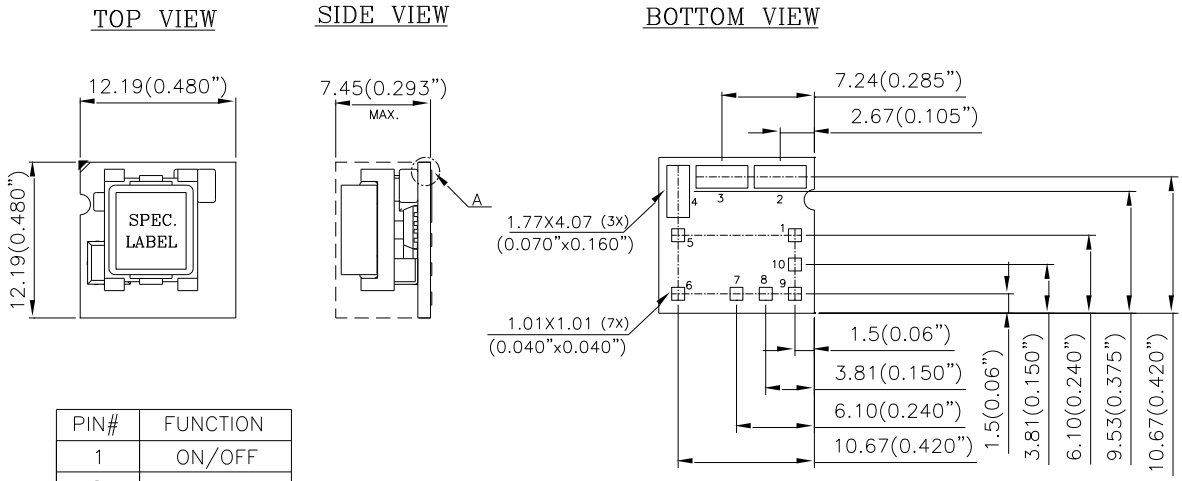
Note: The temperature refers to the pin of DCS, measured on the pin Vout joint.

LEAD FREE (SAC) PROCESS RECOMMEND TEMP. PROFILE

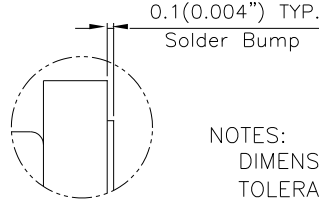


Note: The temperature refers to the pin of DCS, measured on the pin Vout joint.

MECHANICAL DRAWING



PIN#	FUNCTION
1	ON/OFF
2	VIN
3	GND
4	VOUT
5	SENSE
6	TRIM
7	GND
8	NC
9	SEQ
10	PGOOD



NOTES:
 DIMENSIONS ARE IN MILLIMETERS AND (INCHES)
 TOLERANCES: X.Xmm±0.5mm(X.XX in.±0.02 in.)
 X.XXmm±0.25mm(X.XXX in.±0.010 in.)

PART NUMBERING SYSTEM

DCS	12	S	0A0	S	06	N	F	A
Product Series	Input Voltage	Numbers of Outputs	Output Voltage	Package Type	Output Current	On/Off logic		Option Code
DCT- 3A DCS - 6A DCM - 12A DCL - 20A	04 - 2.4~5.5V 12 - 4.5~14V	S - Single	0A0 - Programmable	S - SMD	03- 3A 06 - 6A 12 - 12A 20 - 20A	N- negative P- positive	F- RoHS 6/6 (Lead Free)	A - Standard Function

MODEL LIST

Model Name	Packaging	Input Voltage	Output Voltage	Output Current	Efficiency 12Vin, 5Vdc @ 6A
DCS12S0A0S06NFA	SMD	4.5 ~ 14Vdc	0.59V~ 5.0Vdc	6A	94.3%

CONTACT: www.deltaww.com/dcdc

USA:

Telephone:
East Coast: 978-656-3993
West Coast: 510-668-5100
Fax: (978) 656 3964
Email: DCDC@delta-corp.com

Europe:

Telephone: +31-20-655-0967
Fax: +31-20-655-0999
Email: DCDC@delta-es.com

Asia & the rest of world:

Telephone: +886 3 4526107
Ext. 6220~6224
Fax: +886 3 4513485
Email: DCDC@delta.com.tw

WARRANTY

Delta offers a two (2) year limited warranty. Complete warranty information is listed on our web site or is available upon request from Delta.

Information furnished by Delta is believed to be accurate and reliable. However, no responsibility is assumed by Delta for its use, nor for any infringements of patents or other rights of third parties, which may result from its use. No license is granted by implication or otherwise under any patent or patent rights of Delta. Delta reserves the right to revise these specifications at any time, without notice.