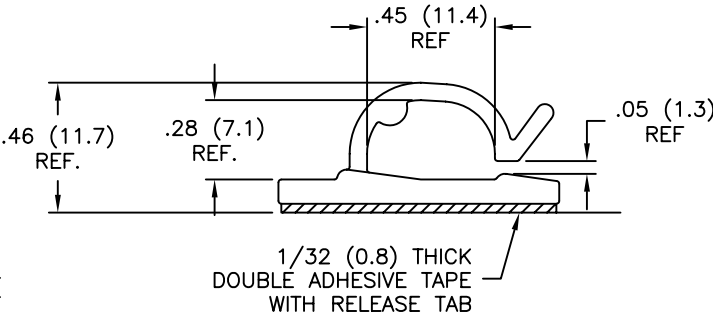
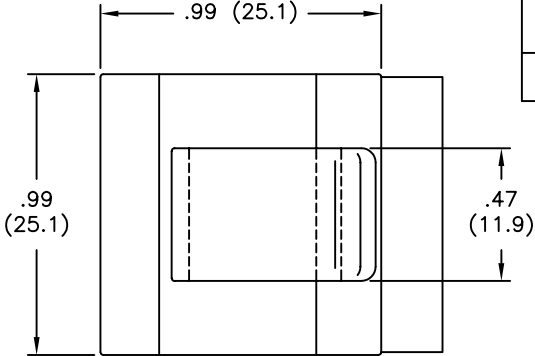


PART NO.	ADHESIVE TAPE
WCK-460-01A-RT	ACRYLIC, 1/32 THICK RMS-15 (WHITE LINER)
WCK-460-01	W/O TAPE



- NOTES:
- MAT'L: NYLON 66 (RMS-01)
COLOR: NATURAL
 - P/N WCK-460-01A1-RT
WITH DOUBLE SIDED ADHESIVE
RUBBER TAPE (RMS-102)
AVAILABLE BY SPECIAL ORDER ONLY.
 - MAT'L: FLAME RET. NYLON 66
(RMS-19), NAT. BY SPECIAL ORDER
ONLY
 - DRAWING DOES NOT NECESSARILY
DEPICT TRUE POSITION OF RELEASE
TAB.

G	SEE CO 200058	SK 11.08.07	TITLE: WIRE CORD KLIP				⊙	▭	DWG IN	QR
F	ADDED NOTES 3 & 4.	SJ 06.03.02							IN (MM)	
E	ADDED "REF." TO DIM. .28 (7.1)	SM 02.26.02	TOLERANCES	FILE # WCK-460	DWN: P.B.	APP:	FINAL			
D	CHANGED FILE NO.	SM 12.10.01	UNLESS NOTED	MAT'L: SEE NOTES	DT: 08-03-94	DT:	PART #		PRINT TYPE CA	
C	ADDED NOTE 2.	S.M.12.05.00	.XX=±.010	RE: RICHCO, INC.	RICHCO INC.		SEE TABLE			
B	ADDED RUBBER TAPE RMS- 102	S.M.11.30.00	.XXX=±.005	PO BOX 804238, CHICAGO, 60680						
A	CONVERTED TO ACAD	PB 08.03.94	FRAC=±1/64	(773) 539-4060						
REV	DESCRIPTION	ENGR DATE	ANG=±1°							