

INTERCONNECTS

SERIES 850, 851, 852, 853 • 1,27 GRID SOLDER CUP HEADERS AND SOCKETS • SINGLE AND DOUBLE ROW STRIPS

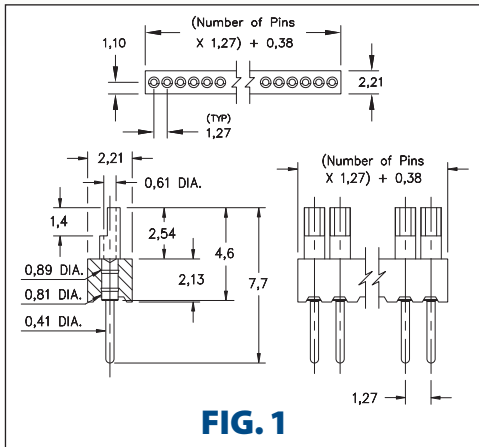


FIG. 1

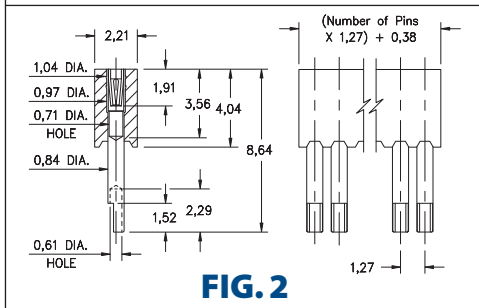


FIG. 2

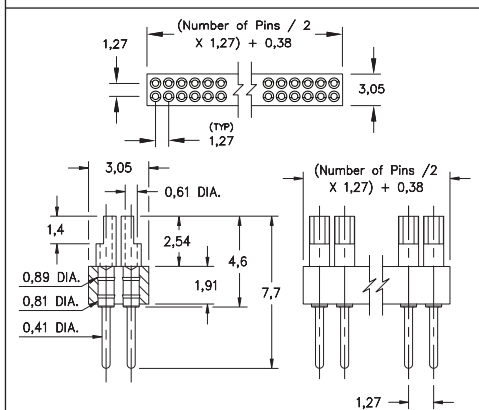


FIG. 3

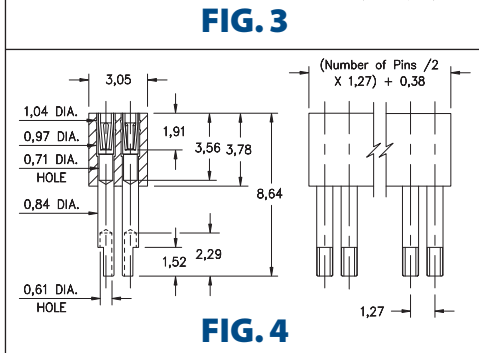
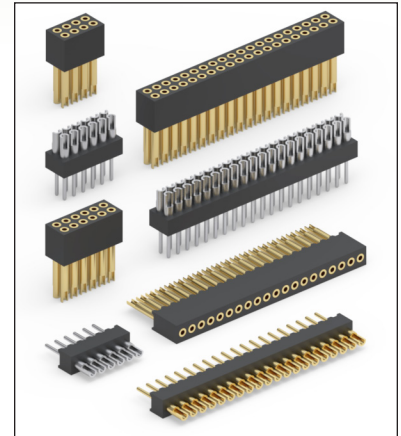


FIG. 4

- Solder cups are pre-aligned and accept up to 26 AWG wire
- Series 850 and 852 headers use MM #3050-0 pins. See page 244 for details
- Series 851 and 853 sockets use MM #1157-0 receptacles that accept pin diameters from 0,38 - 0,51. See page 160 for details
- Receptacles use Hi-Rel, 3-finger BeCu #11 contact rated at 3 amps. See page 251 for details
- Insulators are high temperature thermoplastic, suitable for all soldering operations



ORDERING INFORMATION

FIG. 1	Series 850...003	Single Row Solder Cup / Solder Tail				
	850-XX-0-10-003000		Specify number of pins	10	01-50	
FIG. 2	Series 851...003	Single Row Solder Cup Sockets				
	851-XX-10-003000		Specify number of pins	10	01-50	
SPECIFY PLATING CODE XX=			10			
Pin Plating			0,25µm Au			

FIG. 3	Series 852...003	Double Row Solder Cup / Solder Tail				
	852-XX-0-10-003000		Specify number of pins	10	002-100	
FIG. 4	Series 853...003	Double Row Solder Cup Sockets				
	853-XX-10-003000		Specify number of pins	10	002-100	
SPECIFY PLATING CODE XX=			13			
Sleeve (Pin)			0,25µm Au			
Contact (Clip)			0,76µm Au			

