

PRODUCT DATA DRAWING

REVISION HISTORY			
REV	DESCRIPTION	DATE	APPROVED
D	DCN 34173	05/06	JMC

MATERIAL:

BODY,
PRESS CAP &
COUPLING NUT: STAINLESS STEEL PER AMS-5640,
ALLOY UNS S30300, TYPE 1

LOCK RING &
CONTACT: BERYLLIUM COPPER PER ASTM B196,
ALLOY No. UNS C17300, TD04

INSULATOR: PTFE PER ASTM D1710, TYPE I, GRADE 1, CLASS B

GASKET: SILICONE RUBBER PER A-A-59588,
CLASS 2B, GRADE 50/60

RESISTOR ELEMENT: ALUMINA SUBSTRATE WITH
NICHROME RESISTOR

FINISH:

BODY: GOLD PER ASTM B 488, TYPE I,
CODE C, CLASS 1.52; OVER NICKEL
PER AMS-QQ-N-290, CLASS 1, .00005" MIN.

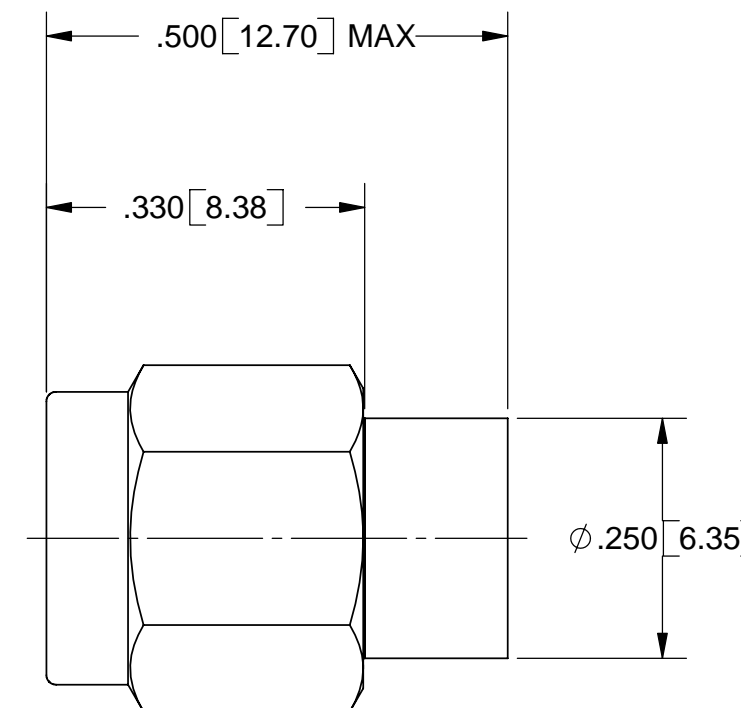
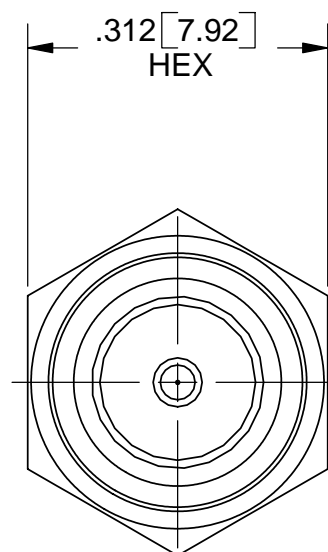
PRESS CAP &
COUPLING NUT: GOLD PER ASTM B488, TYPE II,
CODE C, CLASS 0.50; OVER NICKEL
PER AMS-QQ-N-290, CLASS 1, .00005" MIN.

CONTACT: GOLD PER ASTM B488, TYPE II,
CODE C, CLASS 1.52; OVER NICKEL
PER AMS-QQ-N-290, CLASS 1, .00005" MIN.

PERFORMANCE:

IMPEDANCE: 50 OHMS
FREQ. RANGE: DC TO 18.0 GHz
VSWR: 1.05:1 DC TO 8.0 GHz
1.10:1 8 TO 12.0 GHz
1.25:1 12.0 TO 18.0 GHz

AVG. POWER: 1 WATT (POWER INPUT DERATED LINEARLY
FROM 25°C TO .5 WATTS AT 125°C)
PEAK POWER: 500 WATTS (PEAK POWER FOR A DUTY CYCLE
OF 5X10-4 MAXIMUM PULSE DURATION OF
5 MICROSECONDS)



MATERIAL: SEE NOTES	DIMENSIONS ARE IN INCHES TOLERANCES: FRACTIONAL: ±1/64 ANGULAR: X° ±1'0" X'X' ±15'	UNLESS OTHERWISE SPECIFIED 1) ALL DIMENSIONS ARE IN INCHES (MILLIMETERS) 2) ALL DIMENSIONS ARE AFTER PLATING. 3) BREAK CORNERS & EDGES .005 R. MAX. 4) CHAM. 1ST & LAST THREADS. 5) SURFACE ROUGHNESS 63 MIL-STD-10. 6) DIA.'S ON COMMON CENTERS TO BE CONCENTRIC WITHIN .005 T.I.R. 7) REMOVE ALL BURRS	SV Microwave, Inc. 2400 Centrepark West Drive, Suite 100 West Palm Beach, FL 33409
FINISH: SEE NOTES	DECIMAL: .X ±.030 .XX ±.010 .XXX ±.005	INTERPRET DIMENSIONS AND TOLERANCES PER ASME Y14.5M - 1994	TITLE: SMA PLUG TERMINATION
SURFACE AREA: N/A	THIRD ANGLE PROJECTION	DRAWN: BRT 10/24/02	SIZE: B CAGE CODE: 95077 DWG. NO. 8018-6172
PROPRIETARY THE INFORMATION CONTAINED IN THIS DRAWING IS THE SOLE PROPERTY OF SV MICROWAVE, INC. ANY REPRODUCTION IN PART OR AS A WHOLE WITHOUT THE WRITTEN PERMISSION OF SV MICROWAVE, INC IS PROHIBITED.		CHECKED: STW 10/26/02	SCALE: 5:1
		APPROVED: STW 10/26/02	SHEET 1 OF 1