



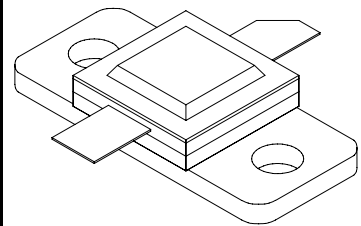
TAN150

150 Watts, 50 Volts, Pulsed
Avionics 960 - 1215 MHz

GENERAL DESCRIPTION

The TAN150 is a high powered COMMON BASE bipolar transistor. It is designed for pulsed systems in the frequency band 960-1215 MHz. The device has gold thin-film metallization and diffused ballasting for proven highest MTTF. The transistor includes input and output prematch for broadband capability. Low thermal resistance package reduces junction temperature, extends life.

CASE OUTLINE 55AT, Style 1



ABSOLUTE MAXIMUM RATINGS

Maximum Power Dissipation

Device Dissipation @25°C 583 W

Maximum Voltage and Current

Collector to Base Voltage (BV_{ces}) 55 V

Emitter to Base Voltage (BV_{ebo}) 3.5 V

Collector Current (I_c) 15.0 A

Maximum Temperatures

Storage Temperature -65 to +150 °C

Operating Junction Temperature +200 °C

ELECTRICAL CHARACTERISTICS @ 25°C

SYMBOL	CHARACTERISTICS	TEST CONDITIONS	MIN	TYP	MAX	UNITS
P_{out}	Power Out	F = 960-1215 MHz	150			W
P_{in}	Power Input	$V_{cc} = 50$ Volts			30	W
P_g	Power Gain	PW = 20 μ sec	7.0			dB
η_c	Collector Efficiency	DF = 5%		38		%
VSWR	Load Mismatch Tolerance	F = 1090 MHz			10:1	

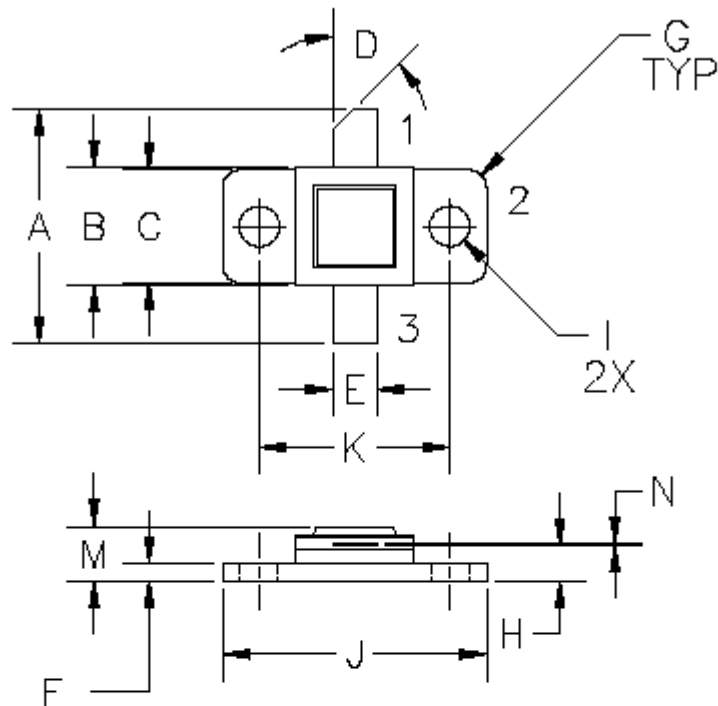
FUNCTIONAL CHARACTERISTICS @ 25°C

BV_{ebo}	Emitter to Base Breakdown	$I_e = 10$ mA	3.5			V
BV_{ces}	Collector to Emitter Breakdown	$I_c = 50$ mA	55			V
h_{FE}	DC – Current Gain	$V_{ce} = 5V, I_c = 1$ A	10			
θ_{jc}^1	Thermal Resistance				0.3	°C/W

NOTE 1: At rated output power and pulse conditions

Rev A: Updated June 2009

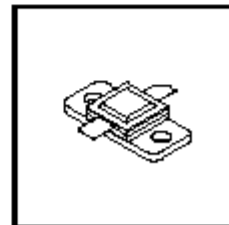
TAN150 CASE DRAWING:



DIM	MILLIMETER	±TOL	INCHES	±TOL
A	20.32	.76	.800	.050
B	10.16	.13	.400	.005
C	9.78	.13	.385	.005
D	45°	5°	45°	5°
E	3.81	.13	.150	.005
F	1.47	.25	.058	.010
G	1.52R	.13	.060R	.005
H	3.05	.25	.120	.010
I	3.25 DIA	.13	.128 DIA	.005
J	22.86	.13	.900	.005
K	16.51	.13	.650	.005
M	4.70	REF	.185	REF
N	0.10	.02	.004	.001

STYLE 1:
PIN 1 = COLLECTOR
2 = BASE
3 = EMITTER

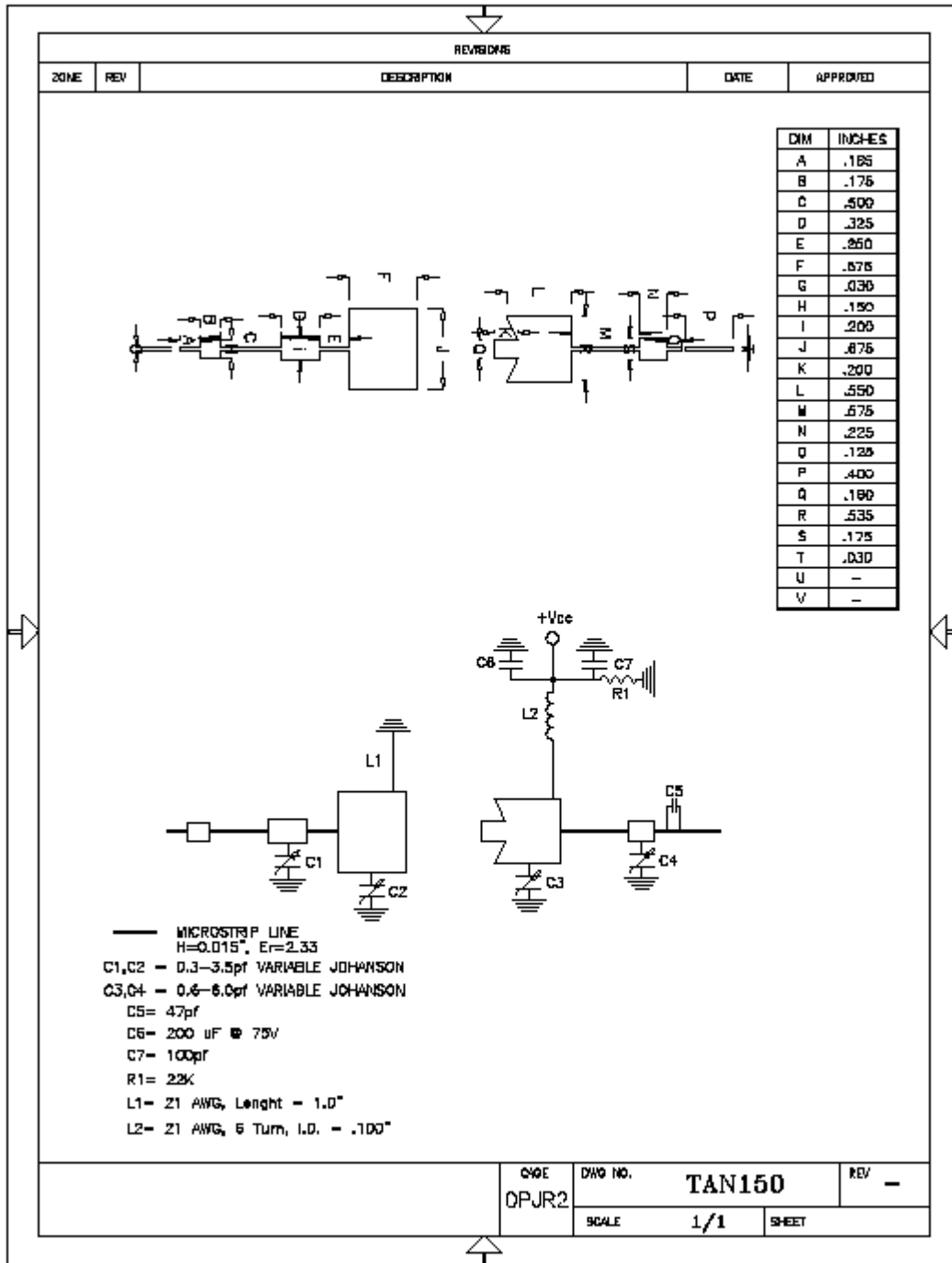
STYLE 2:
PIN 1 = COLLECTOR
2 = EMITTER
3 = BASE



DWG NO.

55AT

TAN150 TEST CIRCUIT:



MICROSEMI RESERVES THE RIGHT TO MAKE CHANGES WITHOUT FURTHER NOTICE. MICROSEMI RECOMMENDS THAT BEFORE THE PRODUCT(S) DESCRIBED HEREIN ARE WRITTEN INTO SPECIFICATIONS, OR USED IN CRITICAL APPLICATIONS, THAT THE PERFORMANCE CHARACTERISTICS BE VERIFIED BY CONTACTING THE FACTORY.