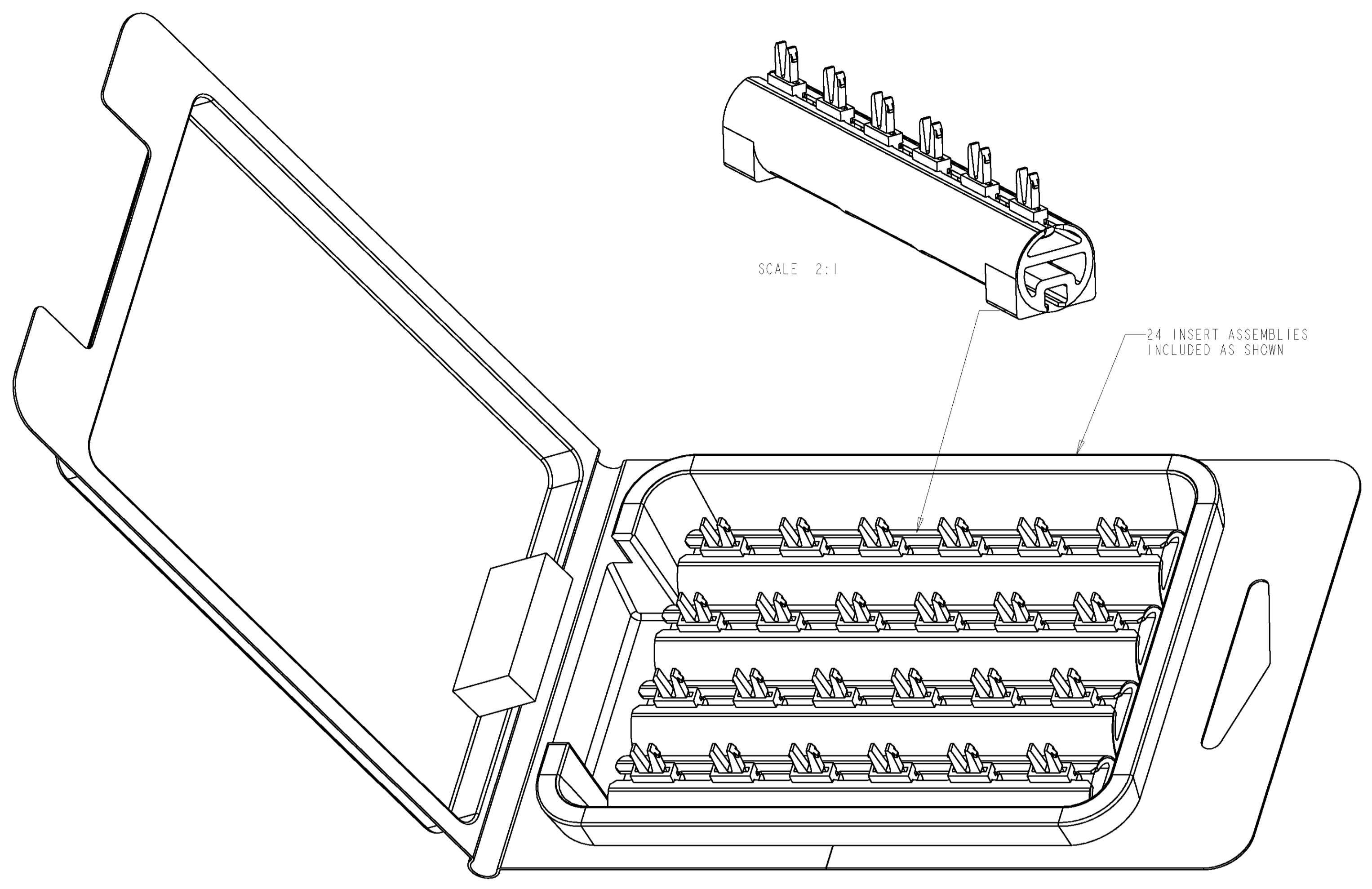
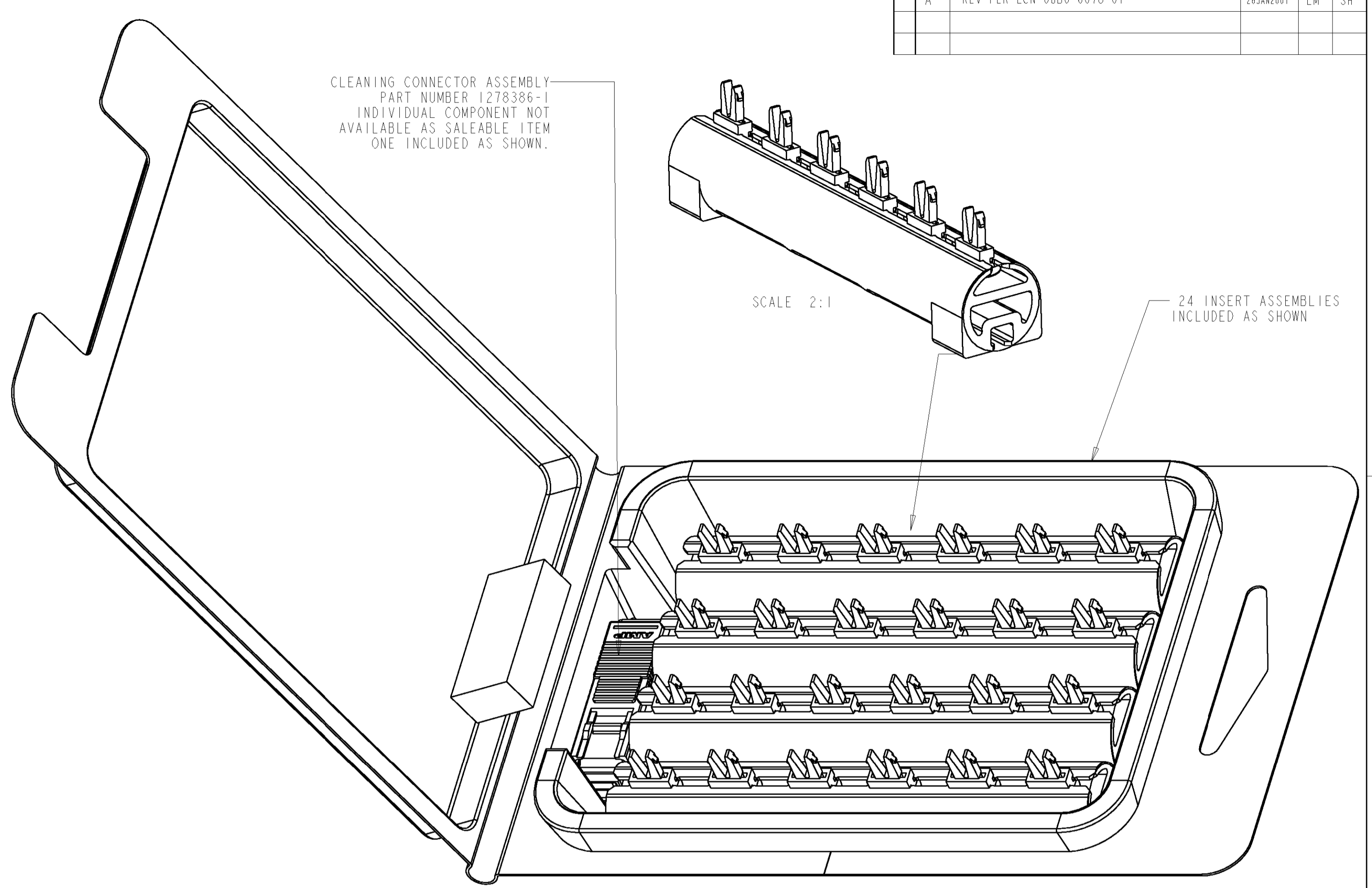


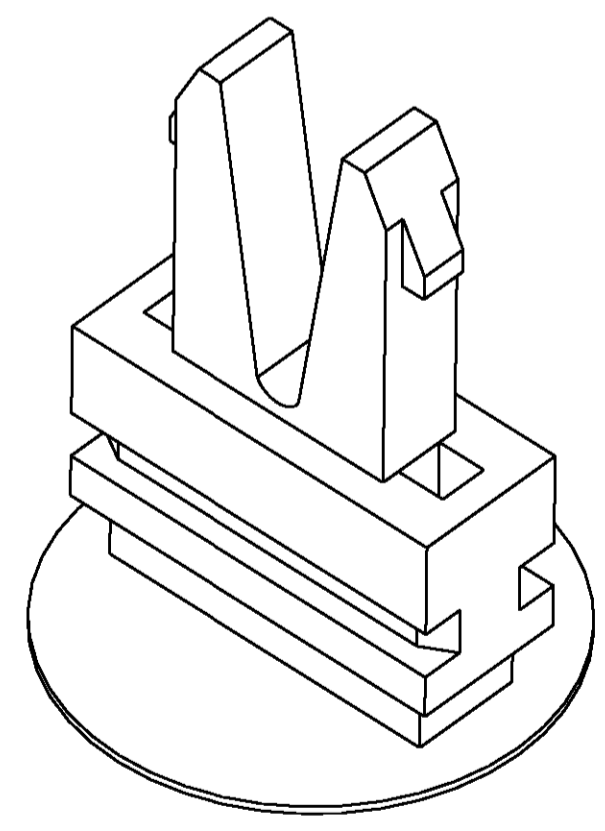
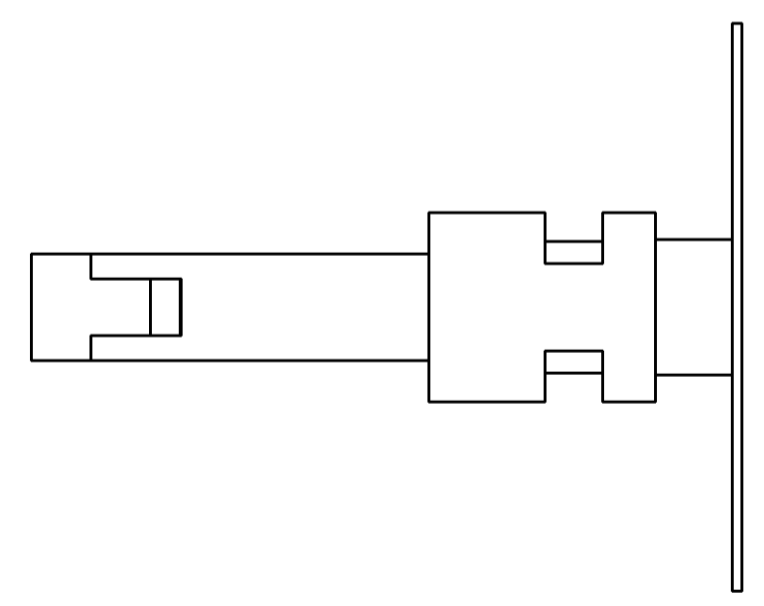
LOC	DIST	REVISIONS			
		REV	DATE	BY	APPD
CE	16	0	REL PER NPR 00-775	12SEP2000	LGE SH
		A	REV PER ECN 00B0-0078-01	26JAN2001	LM SH



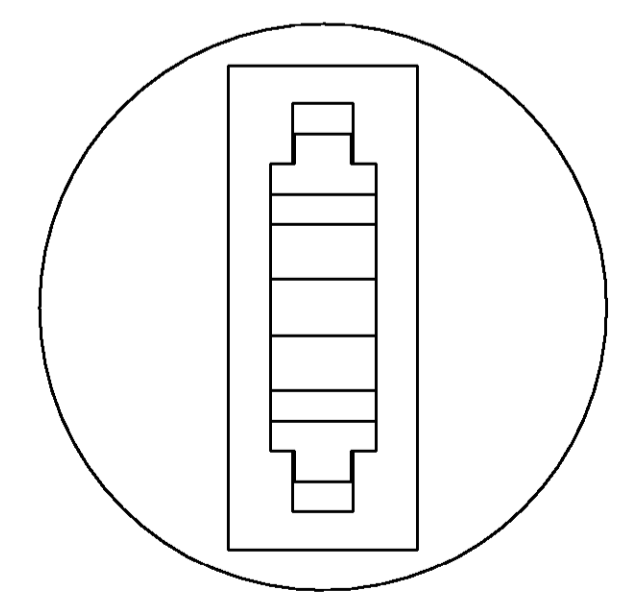
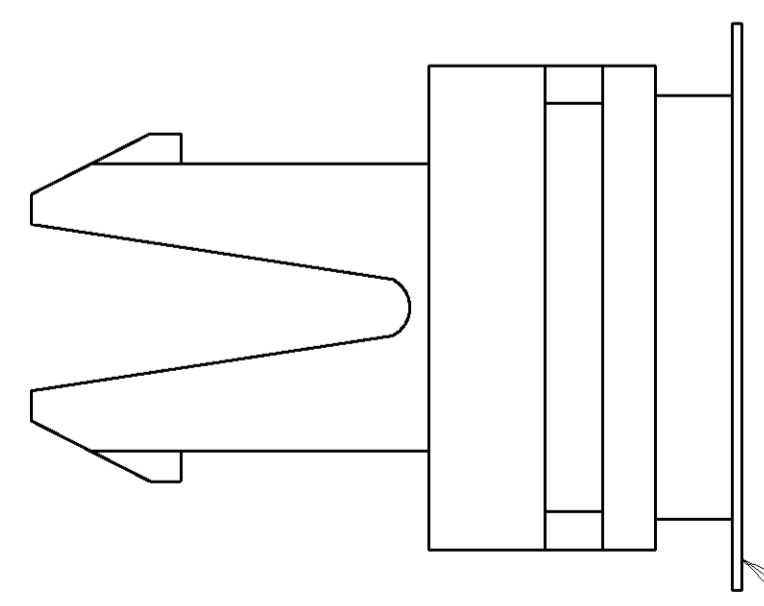
1457019-3
 SCALE 2:1
 INCLUDES 24 INSERT ASSEMBLIES



1457019-2
 SCALE 2:1
 INCLUDES 24 INSERT ASSEMBLIES
 AND ONE CLEANING CONNECTOR ASSEMBLY



INDIVIDUAL INSERT FOR REF ONLY



PART NO	DESCRIPTION	ITEM NO
1457019-3	CLEANING KIT, LIGHTRAY MPX	2
1457019-2	CLEANING KIT, LIGHTRAY MPX	1

<small>THIS DRAWING IS A CONTROLLED DOCUMENT FOR AMP INCORPORATED. ALL CHANGES TO THIS DRAWING AND THE CONTROLLED DOCUMENTATION SHOULD BE CONTACTED FOR THE LATEST REVISION.</small>		DWN: T.G. EBY 12SEP2000 EDC: S. HILKER 14SEP2000 APPD: S. HILKER 14SEP2000	Tyco Electronics Harrisburg, PA 17105-3608
DIMENSIONS: mm TOLERANCES UNLESS OTHERWISE SPECIFIED: 0 PLC ± 1 PLC ±0.5 2 PLC ±0.13 3 PLC ±0.013 4 PLC ±0.0001 ANGLES ±	PRODUCT SPEC APPLICATION SPEC WEIGHT MATERIAL FINISH	NAME: CLEANING KIT LIGHTRAY MPX SIZE: A1 CAGE CODE: 00779 DRAWING NO: 1457019 SCALE: NTS	CUSTOMER DRAWING SHEET 1 OF 1 REV A