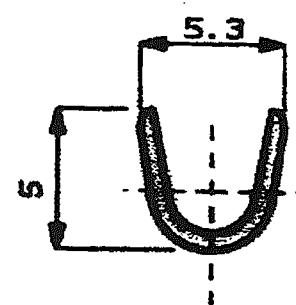
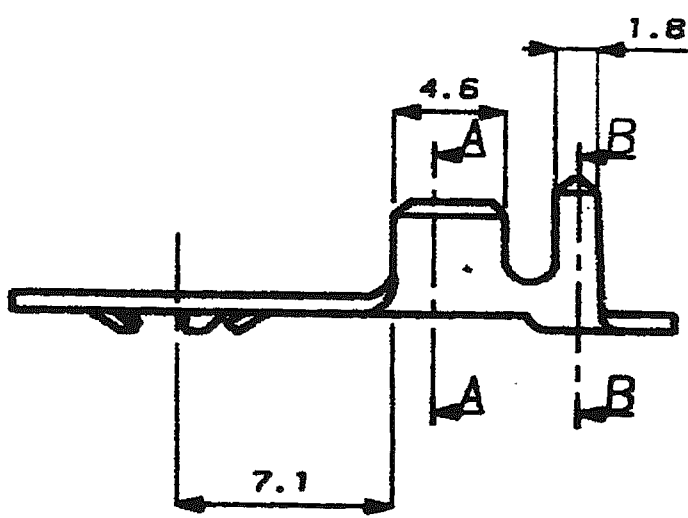
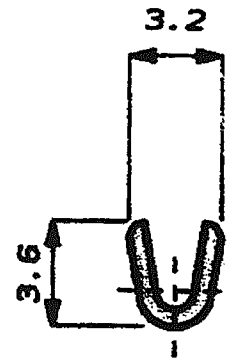
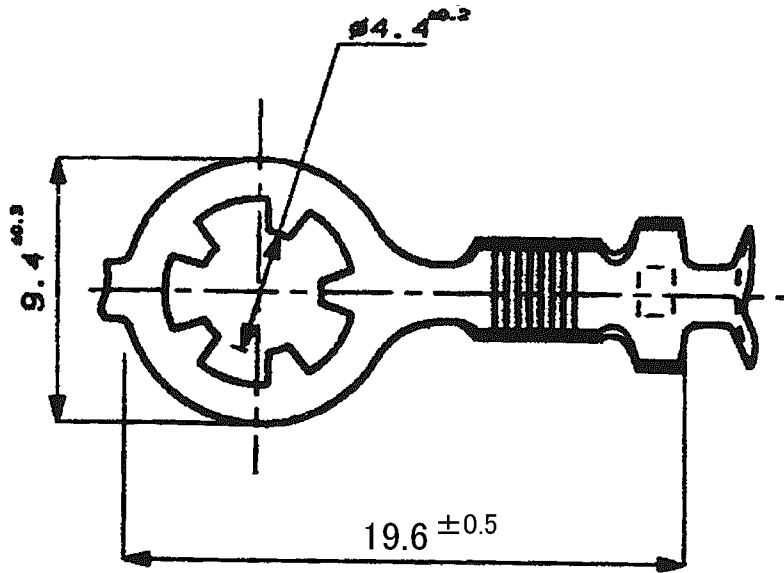


LOC	DIST	REVISONS					
J	—	P	LTR	DESCRIPTION	DATE	DWN	APVD
		01		REDRAWN WITH CHANGE FJD0-0020-05	17JAN2005	Y.Y	N.Y



THIS DRAWING IS UNPUBLISHED.
 ALL RIGHTS RESERVED.
 BY TYCO ELECTRONICS CORPORATION.
 © COPYRIGHT

DIMENSIONS: 单位: 毫米 mm		DWN	N.YAMASAKI	17JAN2005	MATERIAL	冷間圧延鋼	FINISH	錫めっき
TOLERANCES UNLESS OTHERWISE SPECIFIED: 一般公差 ± 0.4		CHK	N.YAMASAKI	17JAN2005			Tyco Electronics AMP K.K. Kawasaki, Japan	
		APVD	S.MANABE	17JAN2005	NAME		RING TERMINAL	
		PRODUCT SPEC	製品規格		SIZE	A4	CAGE CODE	00779
		APPLICATION SPEC	取付適用規格		DRAWING NO	C-173636		RESTRICTED TO
		WEIGHT			SCALE		4-1	SHEET 1 OF 1
		CUSTOMER DRAWING			REV		01	