

4

3

2

1

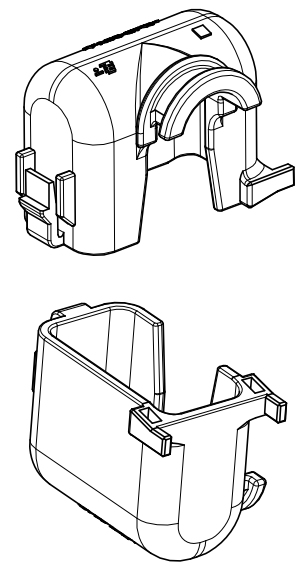
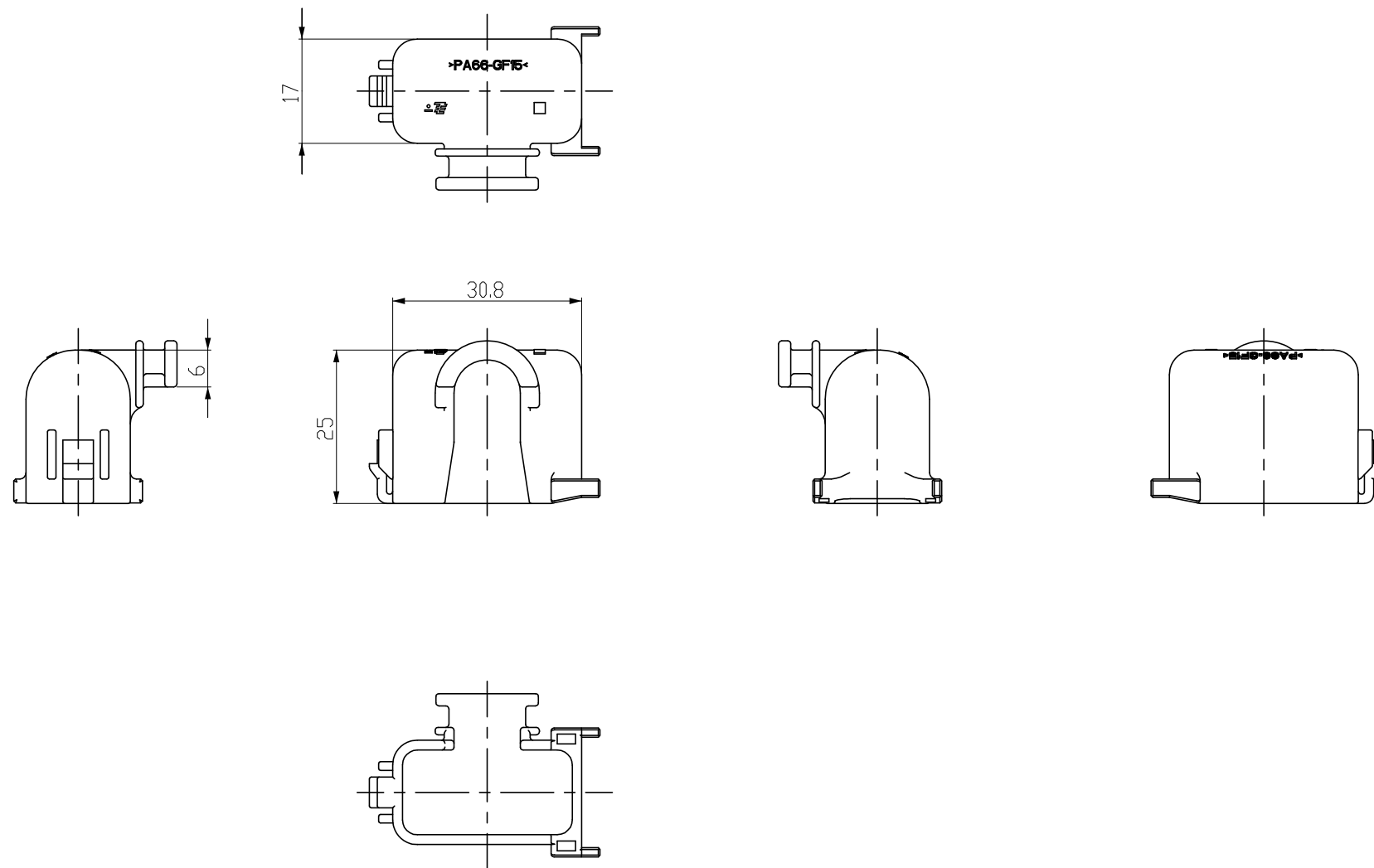
THIS DRAWING IS UNPUBLISHED.

RELEASED FOR PUBLICATION

© COPYRIGHT -

ALL RIGHTS RESERVED.

LOC	DIST	REVISIONS					
		P	LTR	DESCRIPTION	DATE	DWN	APVD
DS	-		A	RELEASED	21.MAR'11	DG	HG



NOTE
 1. APPLICABLE PLUG ASM : X-2109313-X
 2. Max. warpage : 0.3

NO.	P/N	COLOR/FINISH	MATERIAL	DESCRIPTION
1	2109319-2	BLACK	PA66-GF15	WIRE COVER FOR HYB 8P PLUG ASM

THIS DRAWING IS A CONTROLLED DOCUMENT.		DWN DG JEONG			
DIMENSIONS: mm		CHK KT LIM			
		TOLERANCES UNLESS OTHERWISE SPECIFIED:		APVD HG CHO	
		0 PLC ± 1 PLC ± 2 PLC ± 0.3 3 PLC ± 4 PLC ± ANGLES ±3°		PRODUCT SPEC	
MATERIAL SEE TABLE		FINISH -		APPLICATION SPEC	
		WEIGHT -		SIZE A3	CAGE CODE -
				DRAWING NO C=2109319	RESTRICTED TO -
		CUSTOMER DRAWING		SCALE 1:1	SHEET 1 OF 1
				REV A	