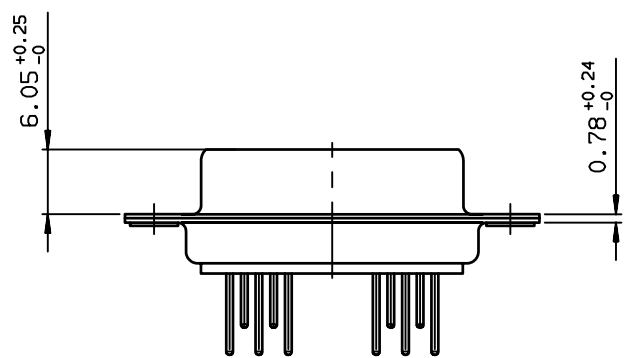
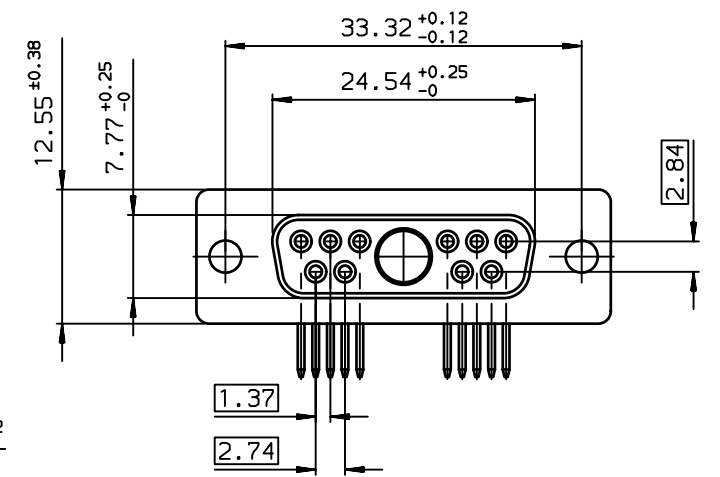
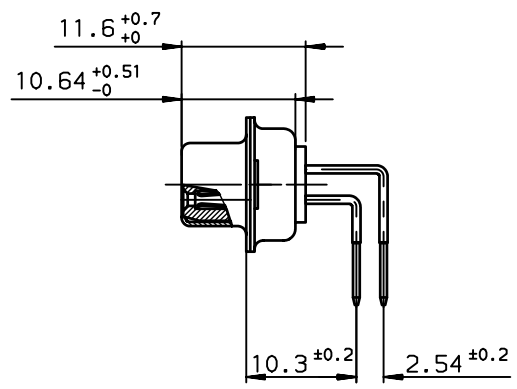
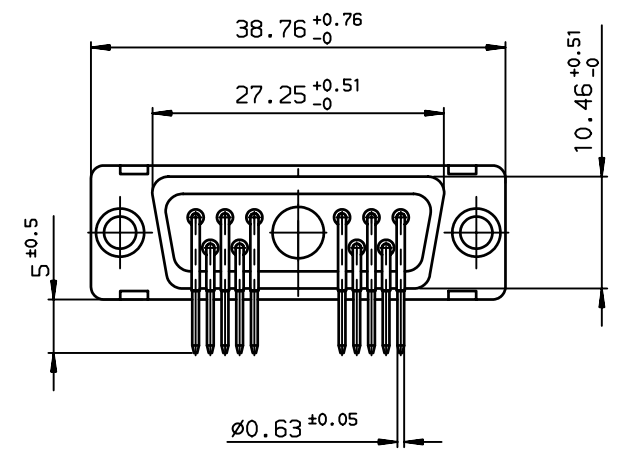
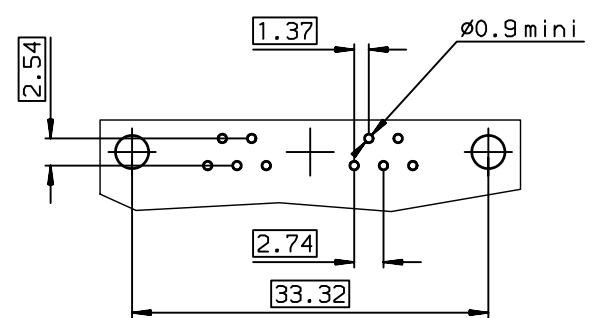


Copyright FCI.



LAYOUT DIMENSIONS (after plating)  
CONNECTOR SIDE VIEW



TIN LEAD PART NUMBER  
DA11W1S500A00  
PART NUMBER

LEAD FREE PART NUMBER  
DA11W1S500A00LF  
PART NUMBER

GENERAL CHARACTERISTICS AND ROHS INFORMATIONS:  
SEE DRAWING C01-8639-0003

European Views

rev	ecn no	dr	date
B	-	DEB	2003/09/29
C	LS05-001	MPE	2005/03/09
D	LS06-0095	LGO	2006/06/27
-	-	-	-
-	-	-	-
-	-	-	-

www.fciconnect.com		surface ISO 1302 ✓	tolerance std ISO 406 ISO 1101	projection mm
TOLERANCES UNLESS OTHERWISE SPECIFIED				
Dr	JARRY	2000/12/19	0.X ±0.1	size A3
Eng	PESSON	2000/12/19	0.XX ±0.1	Scale 2
Chr	LEGARE	2000/12/19	0.XX' ±2'	ECN LS06-0095
Appr	LEGARE	2000/12/19	0.XXX ±0.1	Product family D-SUB
SPECIFICATION REFERENCE				Spec ref -
title SOCKET CONNECTOR 11W1 WITH POWERS CONTACTS			dwg no C01-8639-1764	Rev. D
catalog no -			CUSTOMER	sheet 1 of 1