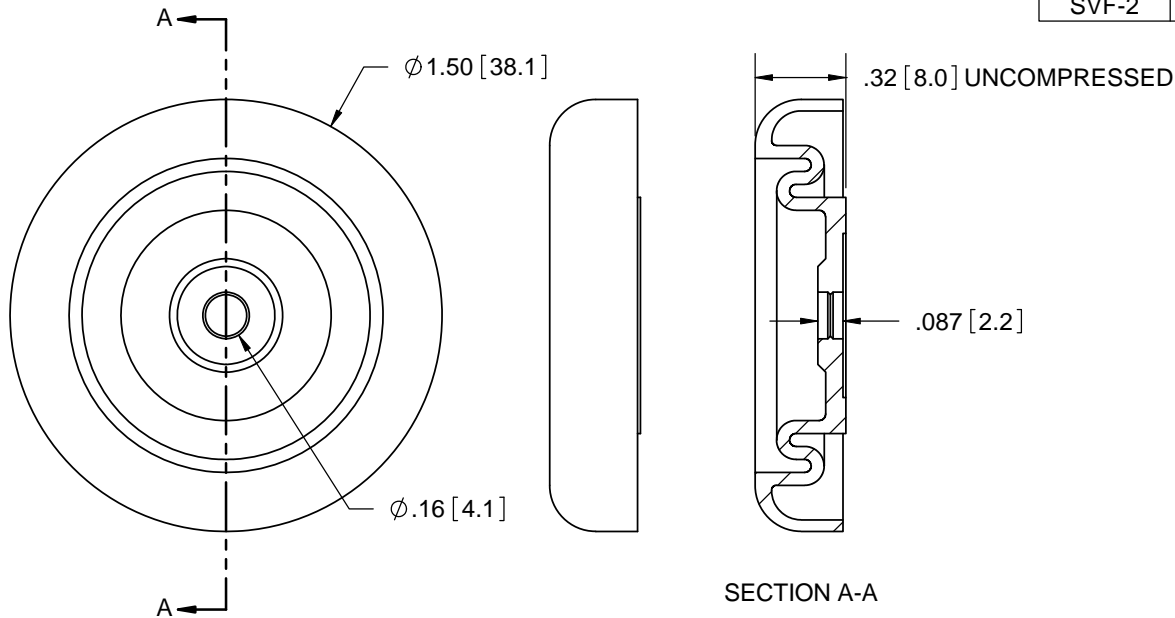
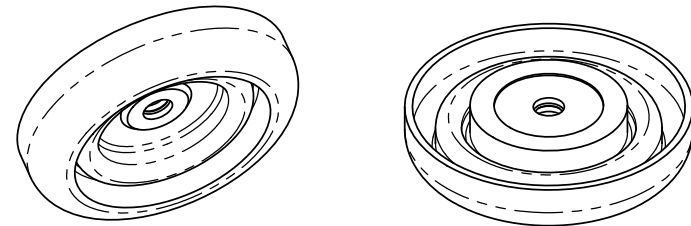


PART NO.	MATERIAL
SVF-1	THERMOPLASTIC ELASTOMER, 75 SHORE A (RMS-158)
SVF-2	THERMOPLASTIC ELASTOMER, 64 SHORE A (RMS-384)



PANEL THICKNESS RANGE	USE WITH
.012 - .051 (0.30 - 1.30)	SR-4050
.051 - .091 (1.30 - 2.30)	SR-4060
.091 - .130 (2.30 - 3.30)	SR-4070
.130 - .169 (3.30 - 4.30)	SR-4080



NOTES:
 1. COLOR: BLACK
 2. RICHCO SNAP RIVET SR-40XX SOLD SEPARATELY

TITLE: SHOCK AND VIBRATION FOOT				DWG IN IN[MM]	FINAL	PRINT TYPE
CREATED USING SOLIDWORKS	FILE #: SVF	DWN: D.J.Z.	APP: DJZ	PART #		CA
TOLERANCES UNLESS NOTED .XX=±.010 .XXX=±.005 FRAC.=±1/64 ANG.=±1°	SHEET: 1 OF 1	SHEET SIZE: A	DT: 05/14/2004	CHKD: SJ	SEE TABLE	
B	SEE CO 200206 FOR CHANGES	SK	06/25/08	RICHCO, INC.		
A	RELEASED FOR PRODUCTION	SM	06/08/04	ENG@RICHCO-INC.COM		
REV.	DESCRIPTION	ENGR.	DATE	(773) 539-4060		