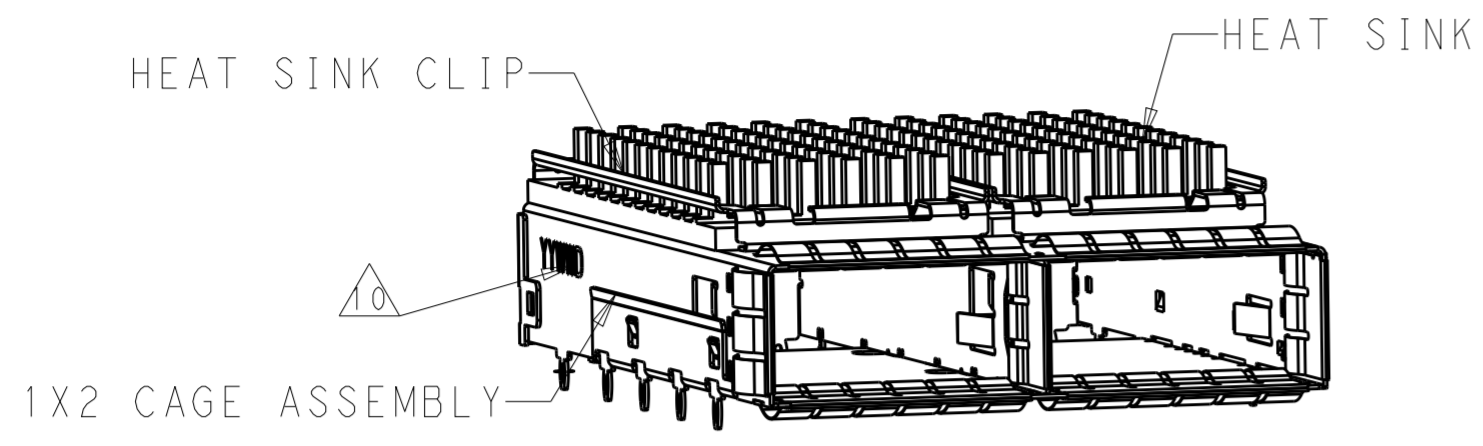


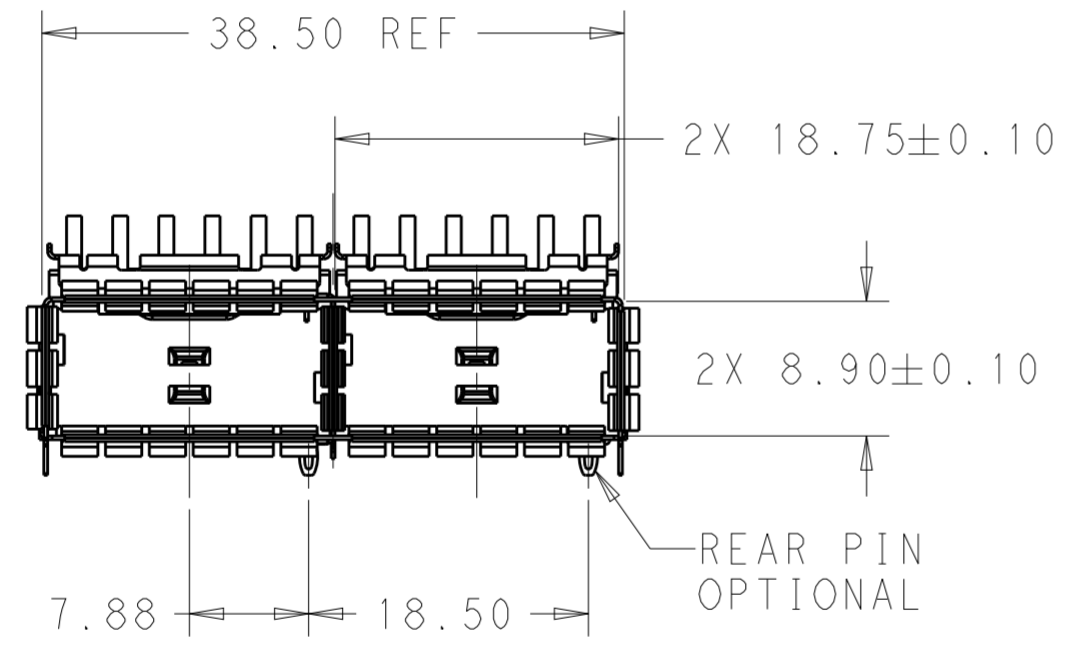
THIS DRAWING IS UNPUBLISHED. RELEASED FOR PUBLICATION 20
 © COPYRIGHT 20 BY - ALL RIGHTS RESERVED.

| REVISIONS | | | | |
|-----------|-----|-----------------|-----------|-------|
| P | LTR | DESCRIPTION | DATE | APVD |
| | A | INITIAL RELEASE | 02FEB2016 | JY SH |
| | | | | |
| | | | | |

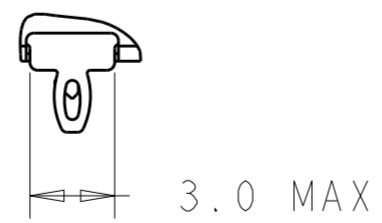
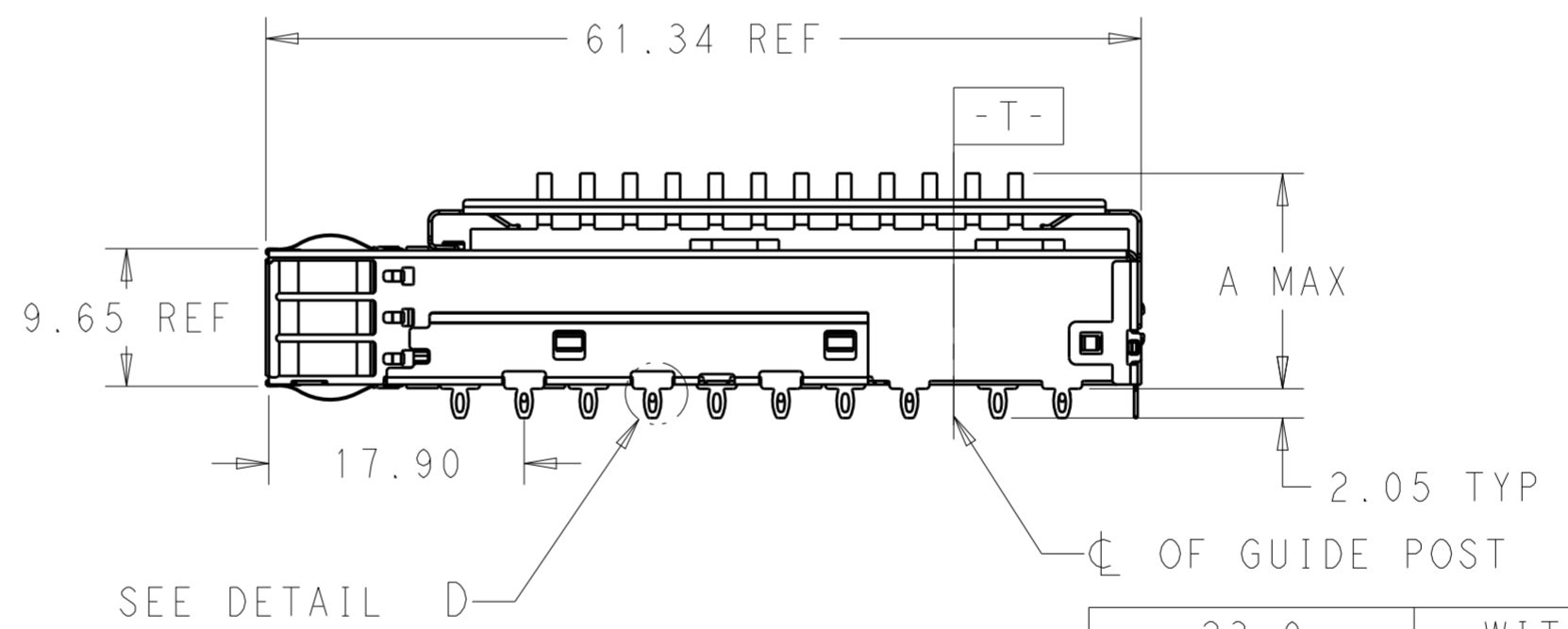


2170806-2 AS SHOWN
 SCALE 2:1

- COMPONENTS
 CAGE ASSEMBLY: NICKEL-SILVER ALLOY
 HEAT SINK: ALUMINUM/BLACK ANODIZE
 HEAT SINK CLIP: STAINLESS STEEL
 EMI SPRING: COPPER ALLOY/NICKEL PLATE
- REFERENCE APPLICATION SPECIFICATION 114-32023 FOR RECOMMENDED DRILL HOLE DIAMETER AND PLATING THICKNESS
- DATUM AND BASIC DIMENSION ESTABLISHED BY CUSTOMER
- DIMENSION APPLIES WITH MODULE INSERTED IN CAGE
- HEAT SINKS, HEAT SINK CLIPS AND LIGHT PIPES ARE SHIPPED ASSEMBLED ON CAGE
- MINIMUM PC BOARD THICKNESS: SINGLE SIDED: 1.57 MIN
 DOUBLE SIDED: 3.00 MIN
- DATUM -A- IS TOP SURFACE OF THE HOST BOARD.
- THESE HOLES ARE OPTIONAL WHEN THE REAR PINS ARE REMOVED.
- MATES WITH QSFP28 MSA COMPATIBLE TRANSCEIVER.
- DATE CODE (YYWWD) MARKED APPROXIMATELY AS SHOWN.



SCALE 2:1



DETAIL D
 SCALE 4:1

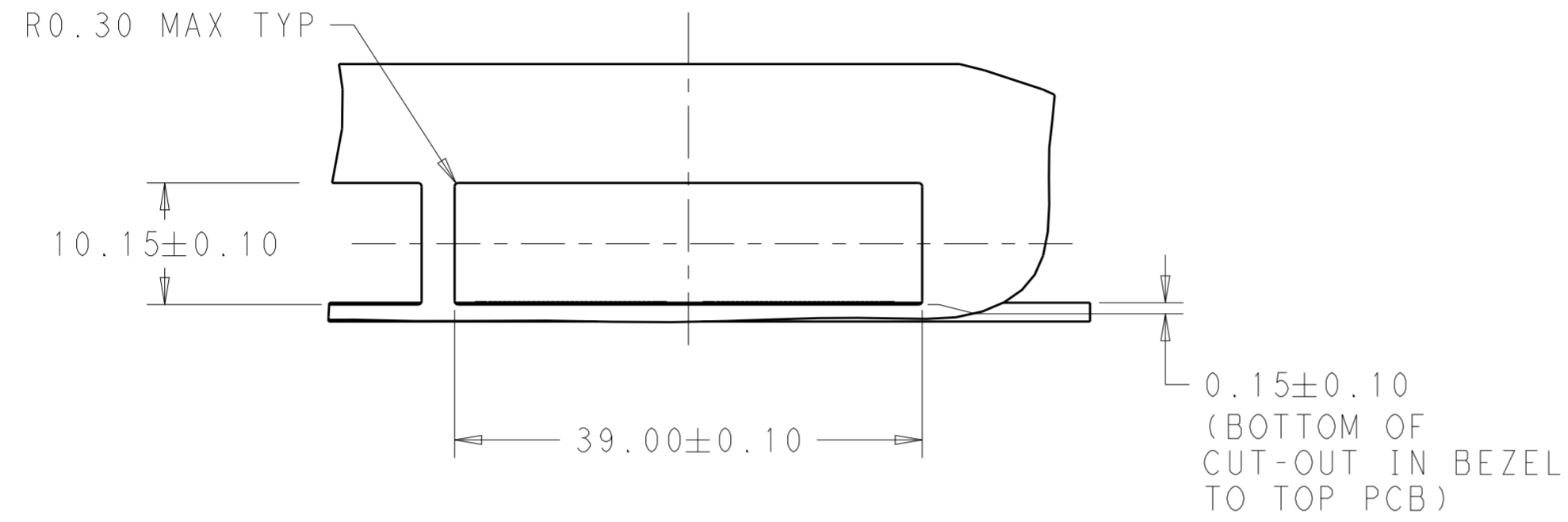
| | | | |
|-------|--------------------|-------------|-------------|
| 23.0 | WITHOUT | NETWORKING | 2170806-6 |
| 16.0 | WITHOUT | SAN | 2170806-5 |
| 13.7 | WITHOUT | PCI | 2170806-4 |
| 23.0 | WITH | NETWORKING | 2170806-3 |
| 16.0 | WITH | SAN | 2170806-2 |
| 13.7 | WITH | PCI | 2170806-1 |
| DIM A | REAR PINS OPTIONAL | APPLICATION | PART NUMBER |

THIS DRAWING IS A CONTROLLED DOCUMENT.

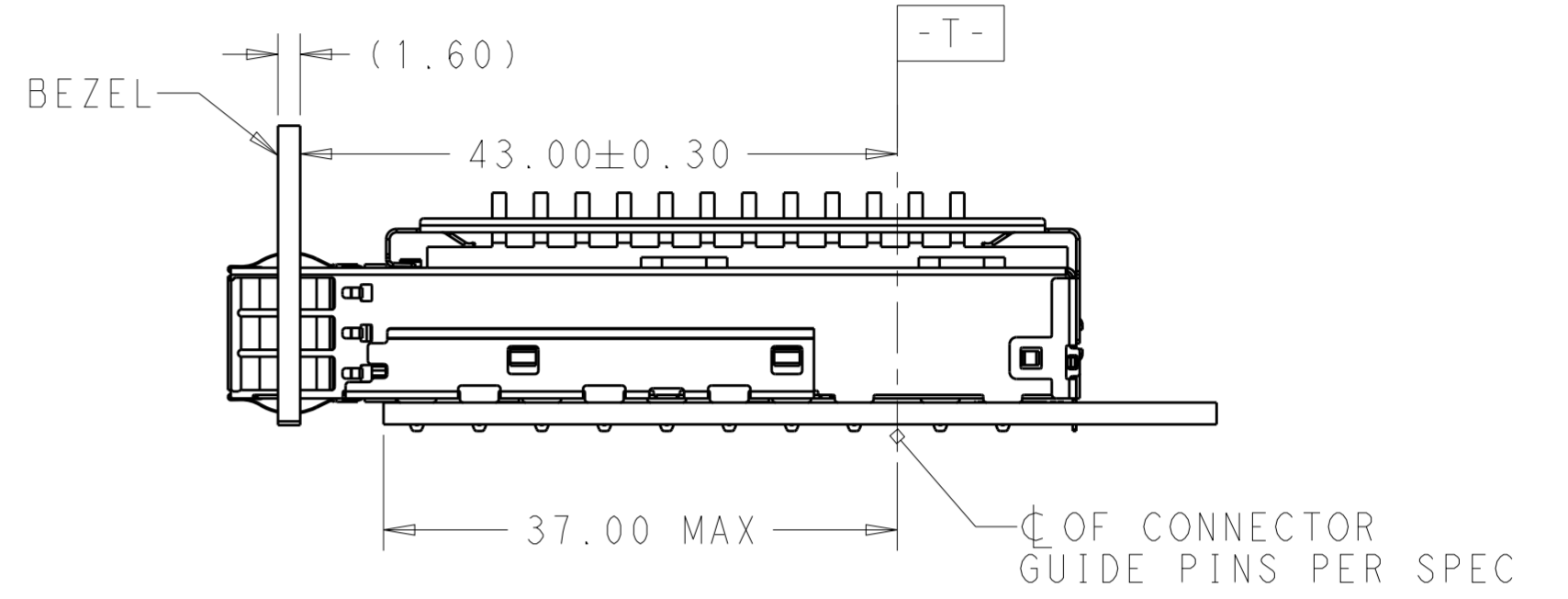
| | | | | |
|--------------------|--|--|---|-------|
| DIMENSIONS: mm | TOLERANCES UNLESS OTHERWISE SPECIFIED: 0 PLC ± 1 PLC ±0.25 2 PLC ±0.2 3 PLC ± 4 PLC ± ANGLES ± FINISH | DWN HANK WU 15SEP2014 CHK JASON YANG 15SEP2014 APVD SEAN HAN 02FEB2016 | TE Connectivity | |
| MATERIAL SEE NOTES | SEE NOTES | PRODUCT SPEC 108-19428 APPLICATION SPEC 114-32023 WEIGHT - | NAME RECEPTACLE CAGE ASSEMBLY WITH HEAT SINKS THRU BEZEL, 1X2, QSFP28 SIZE CAGE CODE DRAWING NO RESTRICTED TO A200779 C-2170806 - | |
| CUSTOMER DRAWING | | SCALE 1:1 | SHEET 1 OF 5 | REV A |

THIS DRAWING IS UNPUBLISHED. RELEASED FOR PUBLICATION 20
 © COPYRIGHT 20 BY - ALL RIGHTS RESERVED.

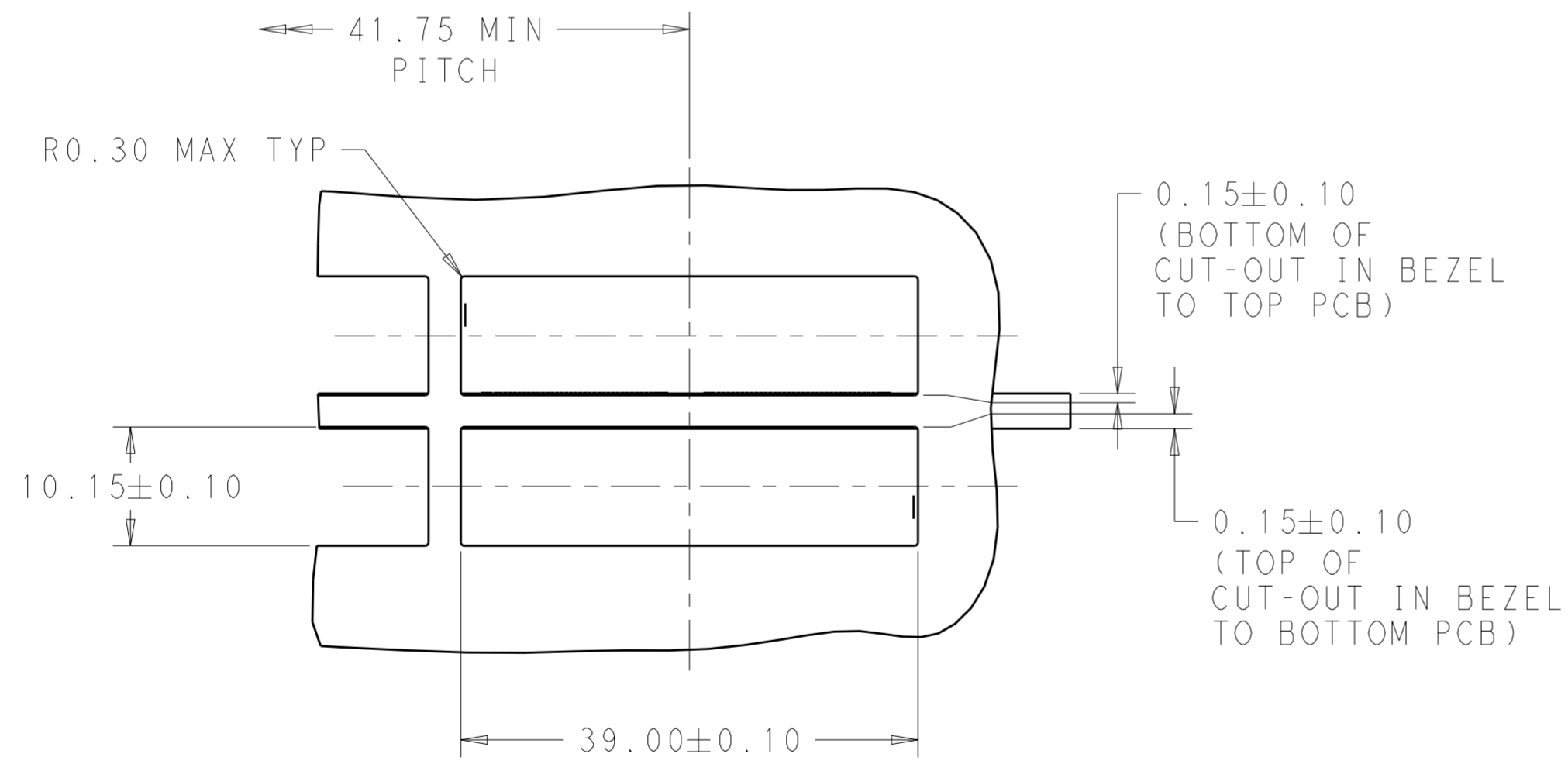
| REVISIONS | | | | |
|-----------|-----|-------------|------|------|
| P | LTR | DESCRIPTION | DATE | APVD |
| - | | SEE SHEET 1 | - | - |
| | | | | |
| | | | | |



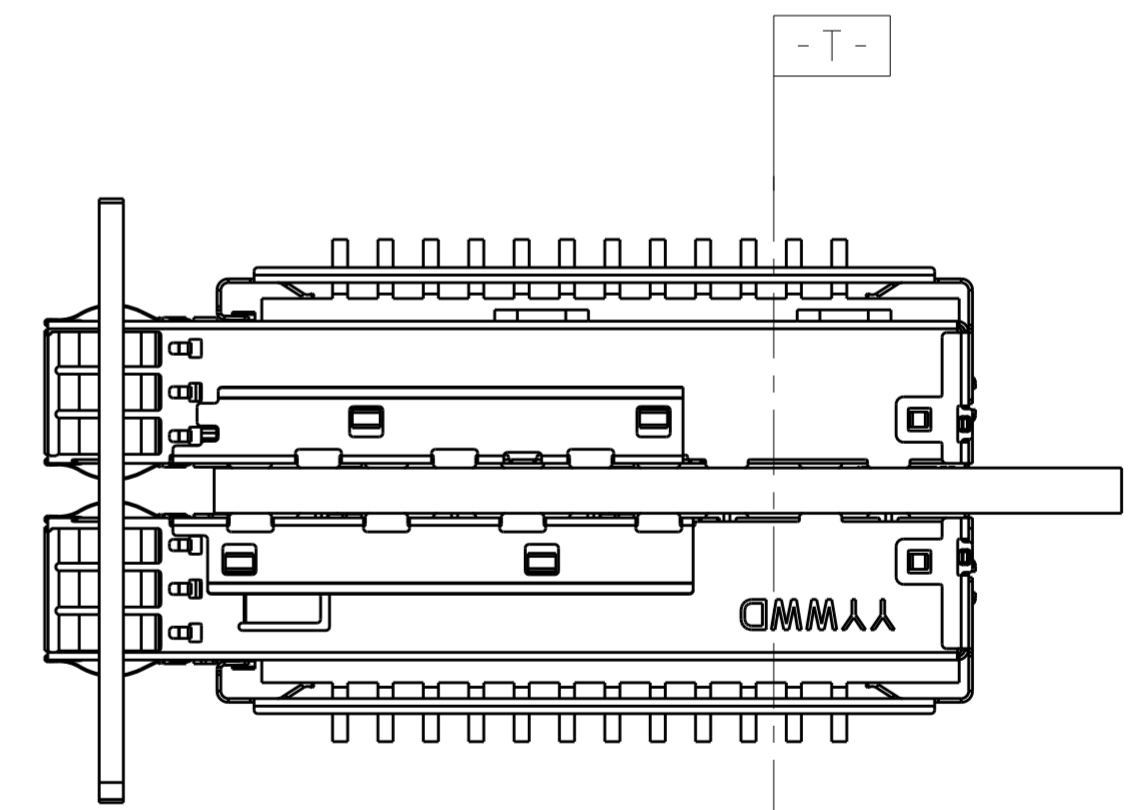
CAGE ASSEMBLY IS OMITTED



SINGLE SIDE MOUNTING
SCALE 2:1



CAGE ASSEMBLY IS OMITTED

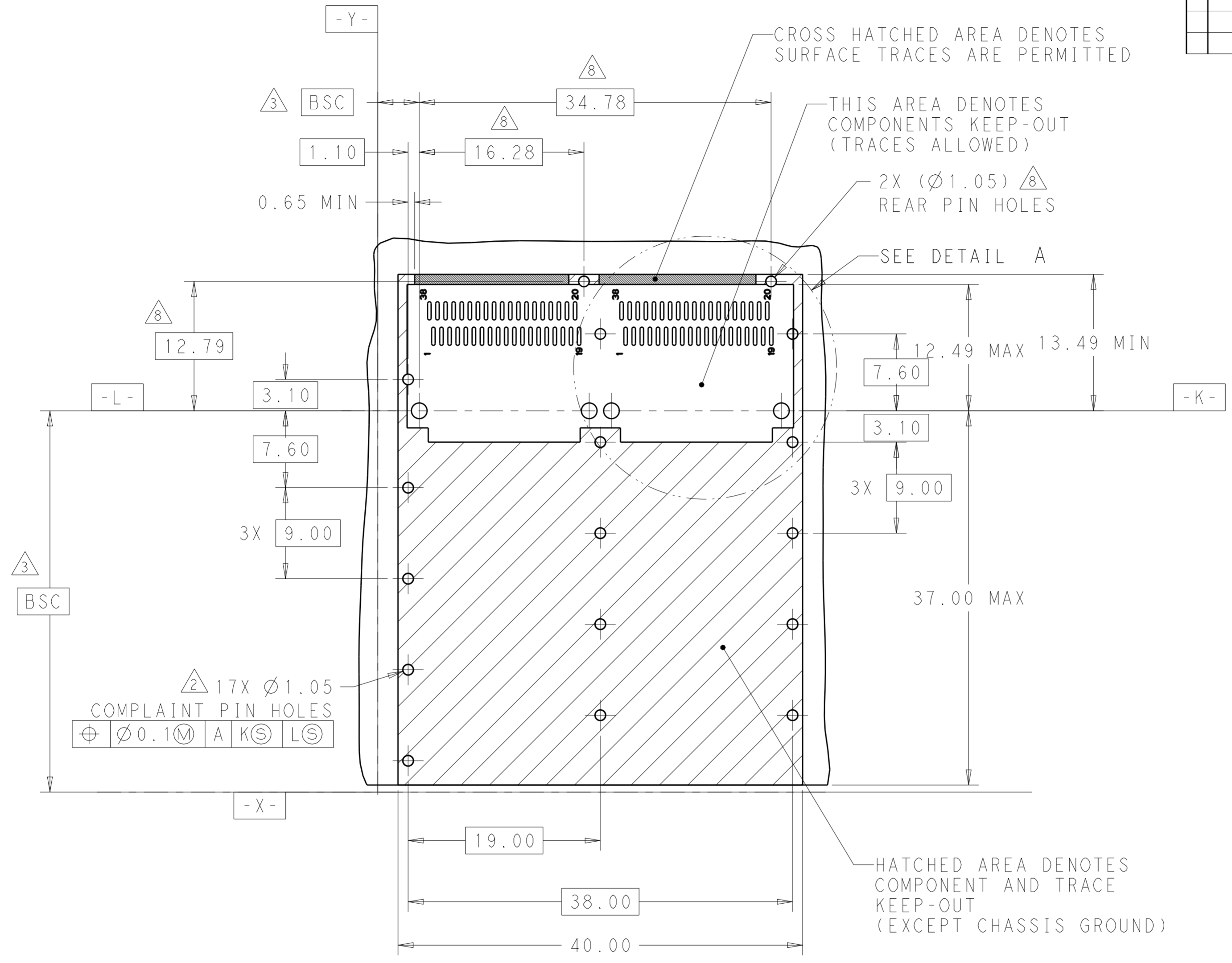


BELLY TO BELLY MOUNTING
SCALE 2:1

| | | | | |
|--|--|----------------------------|---|--|
| THIS DRAWING IS A CONTROLLED DOCUMENT. | | DWN HANK WU 15SEP2014 | STE TE Connectivity | |
| | | CHK JASON YANG 15SEP2014 | | |
| DIMENSIONS: mm | | APVD SEAN HAN 02FEB2016 | NAME RECEPTACLE CAGE ASSEMBLY WITH HEAT SINKS THRU BEZEL, 1X2, QSFP28 | |
| TOLERANCES UNLESS OTHERWISE SPECIFIED: | | PRODUCT SPEC 108-19428 | SIZE CAGE CODE DRAWING NO RESTRICTED TO | |
| 0 PLC ± | | APPLICATION SPEC 114-32023 | A200779 C-2170806 | |
| 1 PLC ±0.25 | | WEIGHT - | SCALE 1:1 SHEET 2 OF 5 REV A | |
| 2 PLC ±0.2 | | CUSTOMER DRAWING | | |
| 3 PLC ± | | | | |
| 4 PLC ± | | | | |
| ANGLES ± | | | | |
| FINISH | | | | |
| MATERIAL SEE NOTES | | | | |
| SEE NOTES | | | | |

THIS DRAWING IS UNPUBLISHED. RELEASED FOR PUBLICATION 20
 © COPYRIGHT 20 BY - ALL RIGHTS RESERVED.

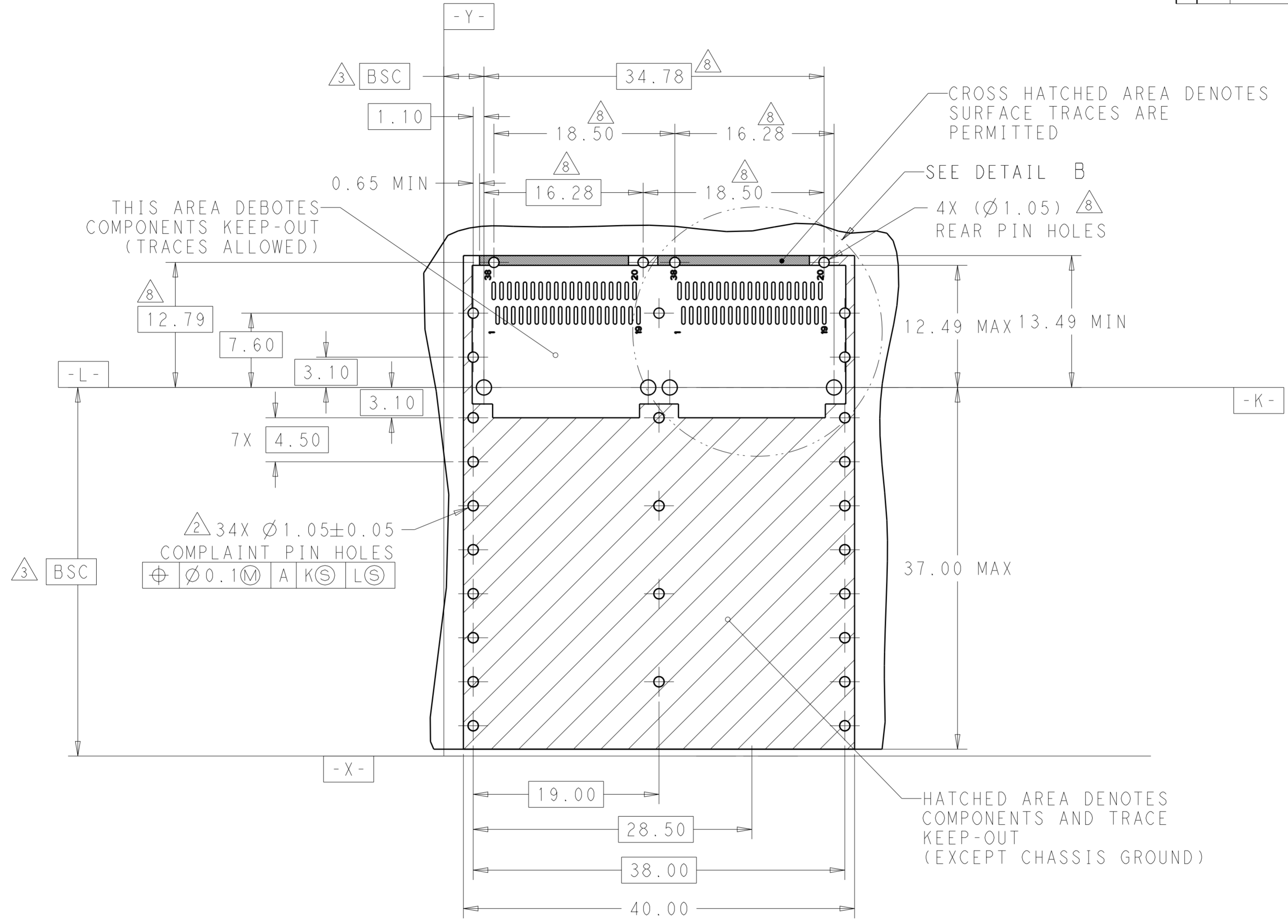
| REVISIONS | | | | |
|-----------|-----|-------------|------|------|
| P | LTR | DESCRIPTION | DATE | APVD |
| - | - | SEE SHEET 1 | - | - |
| | | | | |
| | | | | |



RECOMMENDED PCB LAYOUT
 SINGLE TYPE
 PCB TOLERANCE: ±0.05
 SCALE 3:1

| | | | | |
|--|--|----------------------------|---|--|
| THIS DRAWING IS A CONTROLLED DOCUMENT. | | DWN HANK WU 15SEP2014 | TE Connectivity | |
| DIMENSIONS: mm | | CHK JASON YANG 15SEP2014 | | |
| TOLERANCES UNLESS OTHERWISE SPECIFIED: | | APVD SEAN HAN 02FEB2016 | NAME RECEPTACLE CAGE ASSEMBLY WITH HEAT SINKS THRU BEZEL, 1X2, QSFP28 | |
| 0 PLC ± 1 PLC ±0.25 2 PLC ±0.2 3 PLC ± 4 PLC ± ANGLES ± FINISH ± | | PRODUCT SPEC 108-19428 | SIZE CAGE CODE DRAWING NO RESTRICTED TO | |
| MATERIAL SEE NOTES | | APPLICATION SPEC 114-32023 | A200779 C-2170806 | |
| SEE NOTES | | WEIGHT - | SCALE 1:1 SHEET 3 OF 5 REV A | |
| - | | CUSTOMER DRAWING | - | |

| REVISIONS | | | | |
|-----------|-----|-------------|------|------|
| P | LTR | DESCRIPTION | DATE | APVD |
| - | - | SEE SHEET 1 | - | - |
| | | | | |
| | | | | |

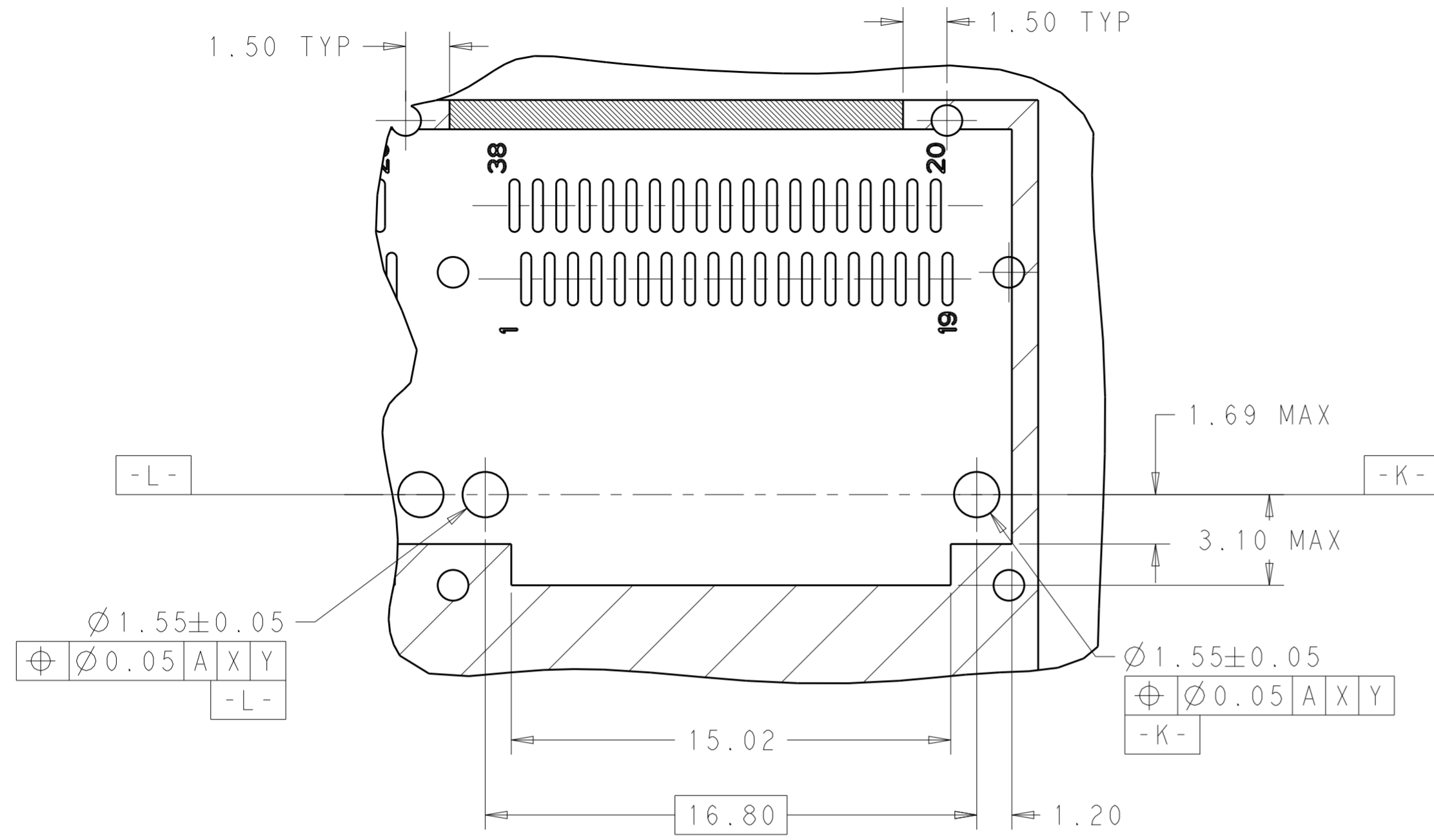


RECOMMENDED PCB LAYOUT
 BELLY TO BELLY TYPE
 PCB TOLERANCE: ±0.05
 SCALE 3:1

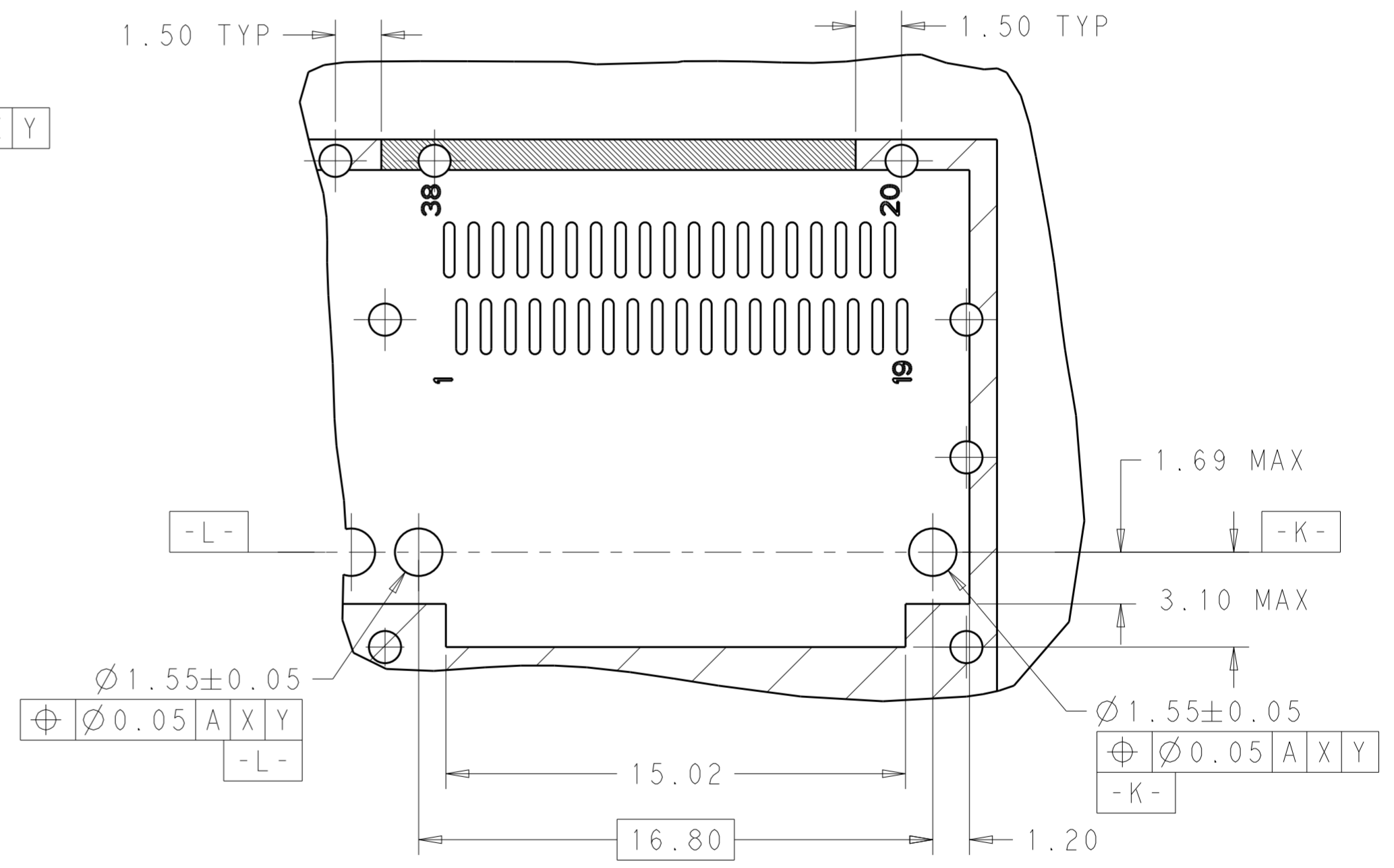
| | | | | |
|--|--|----------------------------|---|--|
| THIS DRAWING IS A CONTROLLED DOCUMENT. | | DWN HANK WU 15SEP2014 | TE Connectivity | |
| DIMENSIONS: mm | | CHK JASON YANG 15SEP2014 | | |
| TOLERANCES UNLESS OTHERWISE SPECIFIED: | | APVD SEAN HAN 02FEB2016 | NAME RECEPTACLE CAGE ASSEMBLY WITH HEAT SINKS THRU BEZEL, 1X2, QSFP28 | |
| 0 PLC ± 1 PLC ±0.25 2 PLC ±0.2 3 PLC ± 4 PLC ± ANGLES ± FINISH ± | | PRODUCT SPEC 108-19428 | SIZE CAGE CODE DRAWING NO RESTRICTED TO | |
| MATERIAL SEE NOTES | | APPLICATION SPEC 114-32023 | A200779 C-2170806 | |
| SEE NOTES | | WEIGHT - | SCALE 1:1 SHEET 4 OF 5 REV A | |
| - | | CUSTOMER DRAWING | - | |

THIS DRAWING IS UNPUBLISHED. RELEASED FOR PUBLICATION 20
 © COPYRIGHT 20 BY - ALL RIGHTS RESERVED.

| REVISIONS | | | | |
|-----------|-----|-------------|------|------|
| P | LTR | DESCRIPTION | DATE | APVD |
| - | - | SEE SHEET 1 | - | - |
| | | | | |
| | | | | |



DETAIL A
SCALE 6:1



DETAIL B
SCALE 6:1

| | | | |
|--|--|----------------------------|---|
| THIS DRAWING IS A CONTROLLED DOCUMENT. | | DWN HANK WU 15SEP2014 | STE TE Connectivity |
| | | CHK JASON YANG 15SEP2014 | |
| | | APVD SEAN HAN 02FEB2016 | NAME RECEPTACLE CAGE ASSEMBLY WITH HEAT SINKS THRU BEZEL, 1X2, QSFP28 |
| | | PRODUCT SPEC 108-19428 | |
| DIMENSIONS: mm | | APPLICATION SPEC 114-32023 | SIZE CAGE CODE DRAWING NO |
| TOLERANCES UNLESS OTHERWISE SPECIFIED: | | WEIGHT - | A200779 C-2170806 |
| 0 PLC ± | | CUSTOMER DRAWING | RESTRICTED TO - |
| 1 PLC ±0.25 | | SCALE 1:1 | SHEET 5 OF 5 |
| 2 PLC ±0.2 | | | REV A |
| 3 PLC ± | | | |
| 4 PLC ± | | | |
| ANGLES ± | | | |
| FINISH | | | |
| MATERIAL SEE NOTES | | | |
| SEE NOTES | | | |