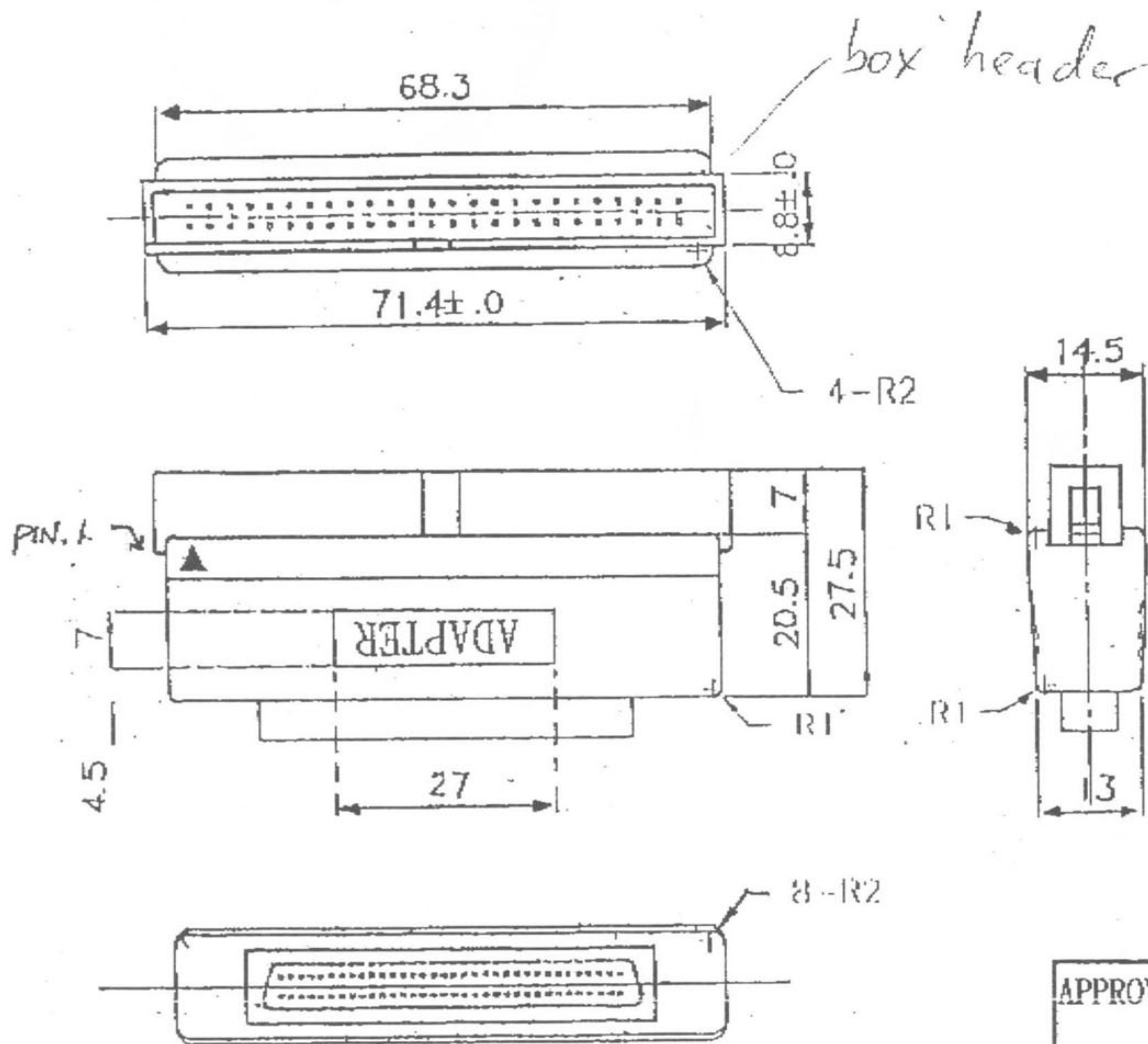


# ADAPTER

## PIN OUT



IDC50M - MD68M	IDC50M - MD68M	IDC50M - MD68M	IDC50M - MD68M
P1	P2	P1	P2
1	6	26	40
2	7	27	41
3	8	28	42
4	9	29	43
5	10	30	44
6	11	31	45
7	12	32	46
8	13	33	47
9	14	34	48
10	15	35	49
11	16	36	50
12	XX	37	XX
13	XX	38	52
14	XX	39	XX
15	20	40	54
16	21	41	55
17	22	42	56
18	23	43	57
19	24	44	58
20	25	45	59
21	26	46	60
22	27	47	61
23	28	48	62
24	29	49	63
25	30	50	64
MD68M PIN 1 - 5, 31 - 34, 35 - 39			
65 - 68, 17, 18, 19, 51, 53			
IS EMPTY.			

APPROVED	MICHAEL	<b>ASSMANN Electronics</b>
CHECKED	JIMMY	P/N : <b>AB844 molded</b>
DRAWN	MICKEY	DES. : <b>MD68M/IDC50M</b>