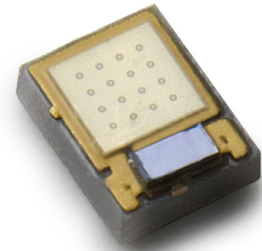


LUXEON Z

Assembly and handling information



Introduction

This application brief addresses the recommended assembly and handling procedures for LUXEON Z emitters. Proper assembly, handling, and thermal management, as outlined in this application brief, ensure high optical output and long lumen maintenance for LUXEON Z emitters.

Scope

The assembly and handling guidelines in this application brief apply to the following products:

LUXEON Z White (all CCT & CRI)	LUXEON Z Royal Blue (LXZ1-PR01)
LUXEON Z Lime (LXZ1-PX01)	LUXEON Z Deep Red (LXZ1-PA01)
LUXEON Z Green (LXZ1-PM01)	LUXEON Z Red (LXZ1-PD01)
LUXEON Z Cyan (LXZ1-PE01)	LUXEON Z Red-Orange (LXZ1-PH01)
LUXEON Z Blue (LXZ1-PB01)	LUXEON Z Amber (LXZ1-PL01)

In the remainder of this document the term LUXEON Z refers to any product in the LUXEON Z product family.

Table of Contents

Introduction	1
Scope	1
1. Component	3
1.1 Description	3
1.2 Optical Center	4
1.3 Handling Precautions	4
1.4 Cleaning	5
1.5 Electrical Isolation	5
1.6 Mechanical Files	5
1.7 Soldering	5
2. LUXEON Z Printed Circuit Board Design Rules	6
2.1 LUXEON Z Footprint and Land Pattern	6
2.2 Surface Finishing	6
2.3 Minimum Spacing	6
3. Thermal Measurement Guidelines	7
4. Assembly Process Guidelines	8
4.1 Stencil Design	8
4.2 Pick-and-Place	8
4.3 Reflow Accuracy	11
5. Packaging Considerations – Chemical Compatibility	12
About Lumileds	14

1. Component

1.1 Description

The LUXEON Z emitter is an ultra-compact, surface mount, high-power direct color or white LED. Each LUXEON Z emitter consists of a high brightness InGaN or AlInGaP LED chip on a ceramic substrate. The ceramic substrate provides mechanical support and provides a thermal path from the LED chip to the bottom of the emitter. An interconnect layer electrically connects the LED chip to cathode and anode pads of equal size on the bottom of the ceramic substrate. The cathode of the LUXEON Z emitter is marked with a small notch in the center of the electrode (see Figure 1).

The top of the LUXEON Z is covered with a thin layer of silicone to shield the chip from the environment. The bottom of the LUXEON Z emitter contains two equally sized metallization pads for the anode and cathode.

All InGaN LUXEON Z emitters contain a transient voltage suppressor (TVS) chip which protects the LED chip against electrostatic discharge (ESD) events. The TVS chip creates some minor topographical variations across the top surface of the InGaN LUXEON Z emitters; all AlInGaP LUXEON Z emitters have a flat top surface.

The LUXEON Z emitter comes in four different form-factors, depending on the targeted color (see Table 1 and Figure 2):

Table 1. Summary of various LUXEON Z colors, chip technology, phosphor and nominal height of the light emitting area.

Colors	Chip Technology	Phosphor	Nominal Height from Bottom of Electrodes to Top of Package Light Emitting Area
White	InGaN	Yes	0.60 mm
Royal Blue, Blue, Cyan, Green	InGaN	No	0.58 mm
Lime	InGaN	Yes	0.70 mm
Amber, Red-Orange, Red, Deep Red	AlInGaP	No	0.96 mm

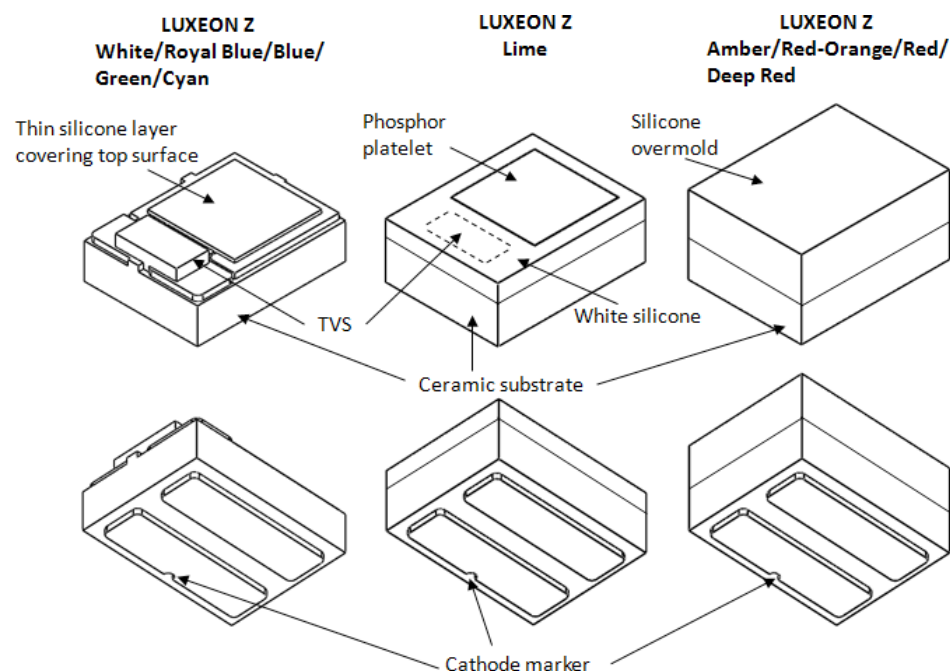


Figure 1. 3D renditions of LUXEON Z with InGaN chip (left & center) and AlInGaP chip (right).

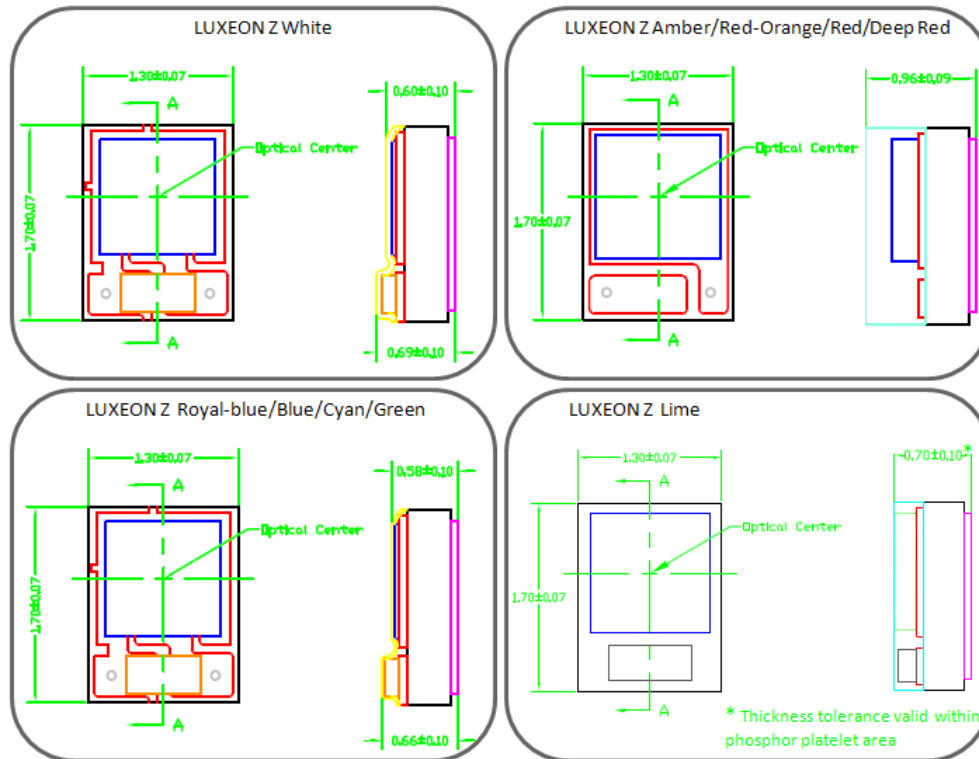


Figure 2. The LUXEON Z emitter comes in four different form factors, depending on the targeted color. All dimensions in mm.

1.2 Optical Center

The theoretical optical center of the LUXEON Z emitter is 0.625mm from the top and 0.650mm from the side edges of the ceramic substrate (see Figure 3).

1.3 Handling Precautions

The LUXEON Z emitter is designed to maximize light output and reliability. However, improper handling of the emitter may damage the LED chip and affect the overall performance and reliability. In order to minimize the risk of damage to the LED chip during handling, LUXEON Z emitters should only be picked up manually from the side of the ceramic substrate as shown in Figure 4.

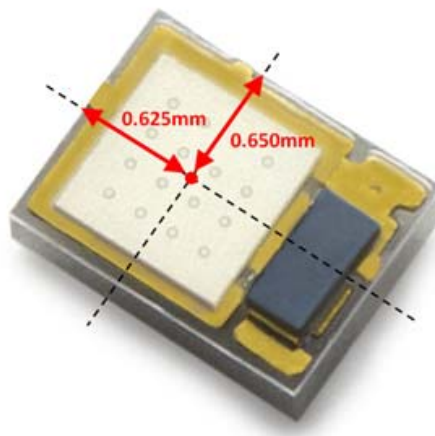


Figure 3. The optical center of the LUXEON Z emitter is 0.625mm from the top and 0.650mm from the side edges.

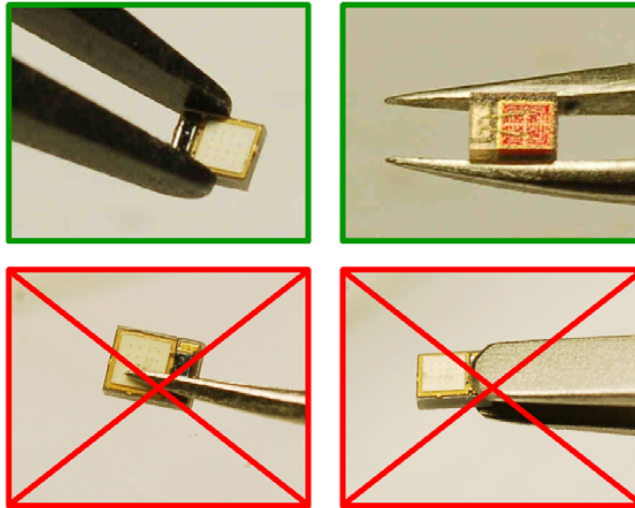


Figure 4. Correct handling (top) and incorrect handling (bottom) of LUXEON Z emitters.

When handling finished boards containing LUXEON Z emitters, do not touch the top surface with any fingers (see Figure 5a) or apply any pressure to it. Also, do not turn over the board for probing, if the electrodes are at the back of the board, or stack multiple boards on top of each other (see Figure 5b). A rough or contaminated surface, which is placed on top of a LUXEON Z emitter, may damage the silicone overcoat of the emitter. Furthermore, any pressure applied onto the LUXEON Z emitter during probing may damage the silicone layer or the chip underneath.

1.4 Cleaning

The LUXEON Z emitter should not be exposed to dust and debris. Excessive dust and debris may cause a drastic decrease in optical output. In the event that the surface of a LUXEON Z emitter requires cleaning, a compressed gas duster at a distance of 6" away will be sufficient to remove the dust and debris or an air gun with 20 psi (at nozzle) from a distance of 6". Make sure the parts are secured first.

1.5 Electrical Isolation

The LUXEON Z emitter contains only two electrical pads on the bottom of the ceramic substrate with a spacing of 0.25mm between them. In order to avoid any electrical shocks and/or damage to the LUXEON Z emitter, each design needs to comply with the appropriate standards of safety and isolation distances, known as clearance and creepage distances, respectively (e.g. IEC60950, clause 2.10.4).

1.6 Mechanical Files

Mechanical drawings for LUXEON Z (2D and 3D) are available upon request.

1.7 Soldering

LUXEON Z emitters are designed to be soldered onto a Printed Circuit Board (PCB). For detailed assembly instructions, see Section 2. substrate as shown in Figure 4.

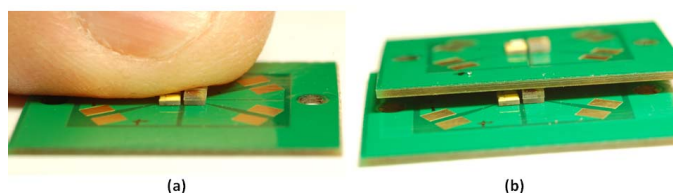


Figure 5. Do not touch the top of surface of the LUXEON Z emitter when handling a finished board (a) or stack boards with one or more LUXEON Z emitters on top of each other (b).

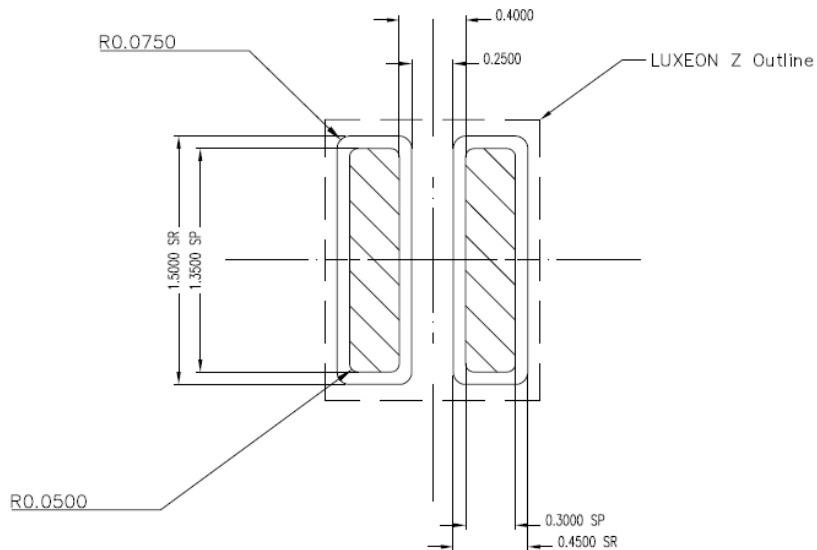


Figure 6. Recommended PCB Footprint for LUXEON Z. SR denotes solder resist opening and SP denotes stencil pattern. All dimensions in mm.

2. LUXEON Z Printed Circuit Board Design Rules

The LUXEON Z emitter is designed to be soldered onto a Metal Core PCB (MCPCB) or a multi-layer FR4 PCB. To ensure optimal operation of the LUXEON Z emitter, the PCB should be designed to minimize the overall thermal resistance between the LED package and the heat sink.

2.1 LUXEON Z Footprint and Land Pattern

The LUXEON Z emitter has two pads that need to be soldered onto corresponding pads on a PCB to ensure proper electrical operation. Figure 6 shows the minimum footprint design for a single LUXEON Z emitter in an application where multiple LUXEON Z emitters are placed in a densely packed array, with each emitter electrically addressable.

The electrical pads of the LUXEON Z emitter also serve as thermal pads between the LED and the PCB. To enhance heat dissipation from the LUXEON Z emitter into the PCB, it is best to extend the copper area around each electrode approximately 4mm from the center of the LUXEON Z emitter, where possible. Furthermore, it is desirable to keep the thermal resistance values of the two copper pads on the PCB underneath each LUXEON Z emitter approximately equal to ensure a balanced heat transfer from the LUXEON Z emitter through both electrodes.

Figure 7 shows an example of a densely packed 2x2 LUXEON Z array on a metal core starboard. The spacing between the four LUXEON Z emitters (labeled D1 through D4) is 0.2mm. The pink areas in the drawing represent solder mask openings while the white dotted lines correspond to the outlines of the four LUXEON Z packages. The drawing of this starboard is available upon request.

2.2 Surface Finishing

Lumileds recommends using a high temperature organic solderability preservative (OSP) on the copper layer.

2.3 Minimum Spacing

Lumileds recommends a minimum edge to edge spacing between LUXEON Z emitters of 0.2mm. Placing multiple LUXEON Z emitters too close to each other may adversely impact the ability of the PCB to dissipate the heat from the emitters. Also, the light output for each LED may drop due to optical absorption by adjacent LED packages.

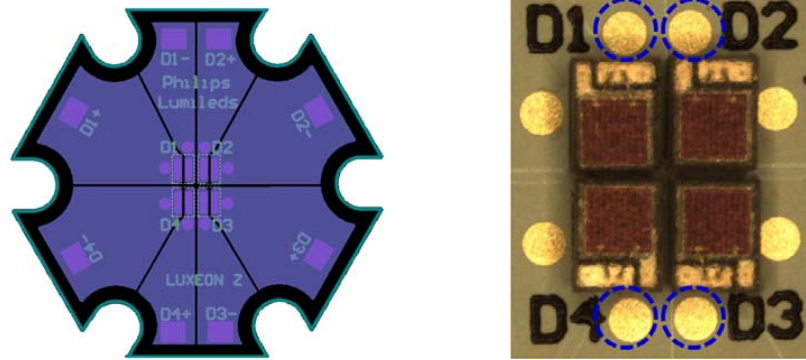


Figure 7. A closely packed 2x2 LUXEON Z array configuration on a metal core PCB (left). Zoomed-in image of four LUXEON Z Red (AlInGaP) emitters mounted on the board (right). The pads marked with the dashed circles correspond to the preferred T_s measurement points for this configuration.

3. Thermal Measurement Guidelines

This section provides general guidelines on how to determine the junction temperature of a LUXEON Z emitter in a stand-alone or array configuration in order to verify that the junction temperature in the actual application during regular operation does not exceed the maximum allowable temperature specified in the datasheet.

The typical thermal resistance $R\theta_{j\text{-thermal pad}}$ between the junction and the thermal pad for LUXEON Z is specified in the LUXEON Z datasheet. In LUXEON Z, both the electrode pads serve as thermal pads. With this information, the junction temperature T_j can be determined according to the following equation:

$$T_j = T_{\text{thermal pad}} + R\theta_{j\text{-thermal pad}} \cdot P_{\text{electrical}}$$

In this equation $P_{\text{electrical}}$ is the electrical power going into the LUXEON Z emitter and $T_{\text{thermal pad}}$ is the temperature at the bottom of one of the LUXEON Z electrodes, assuming both LUXEON Z electrodes are connected to copper pads on the PCB with approximately the same thermal resistance.

In typical applications it may be difficult, though, to measure the thermal pad temperature $T_{\text{thermal pad}}$ directly. Therefore, a practical way to determine the LUXEON Z junction temperature is by measuring the temperature T_s of a predetermined sensor pad on the PCB right next to the LUXEON Z emitter with a thermocouple. To ensure accurate readings, the thermocouple must make direct contact with the copper of the PCB onto which the LUXEON Z electrode pads are soldered, i.e. any solder mask or other masking layer must be first removed before mounting the thermocouple onto the PCB.

The LUXEON Z emitter is ideally suited for applications where multiple color LEDs need to be placed in a closely packed array configuration. To mimic this scenario, Lumileds built a 2x2 densely packed array configuration (see Figure 7). Given the asymmetry in the copper pads on the PCB, there are several candidate sensor pad locations around the 2x2 array configuration. The most appropriate T_s point depends, to a large extent, on the type of LUXEON Z emitters used and the operating conditions of the emitter array. The following guidelines help determine the most appropriate T_s location in a densely packed array application in order to approximate the maximum junction temperature in the LUXEON Z emitter array:

- a. If there is no symmetry in the copper layout of the PCB, it is best to place the T_s point next to the electrical pad (anode or cathode) where lateral heat spreading into the PCB is most impeded. This is typically the electrode with the least amount of copper. For example, in the closely packed 4-up configuration of Figure 7, the circular pads on the D1-, D2+, D3- and D4+ electrodes are preferred.

- b. If multiple LUXEON Z emitters of the same color are used, select the pad next to the LUXEON Z emitter with the highest nominal forward voltage (Vf).
- c. If a mixture of InGaN and AlInGaP LUXEON Z emitters is operated at approximately the same drive current, it is preferred to measure the pad temperature of the LUXEON Z AlInGaP emitter with the lowest wavelength and the LUXEON Z InGaN emitter with the highest wavelength. In this ranking according to wavelength, a LUXEON Z white emitter falls somewhere between a LUXEON Z Royal Blue and LUXEON Z Cyan emitter. The highest observed temperature should then be used to approximate the junction temperature.
- d. If different drive currents are used for each LUXEON Z emitter, it is generally best to measure the temperature next to the LUXEON Z emitter which consumes the most amount of electrical power.

The thermal resistance $R\theta_{j-s}$ between the LUXEON Z junction and T_s point was experimentally determined to be approximately 5K/W for a densely packed 2x2 array of LUXEON Z emitters of the same color on a 1.0mm thick Al-MCPCB board (1oz copper with 4 mil thick Arlon 92ML dielectric layer). The spacing between the LUXEON Z emitters was 200 μ m. During these thermal measurements all four LUXEON Z emitters were powered to take into account any thermal crowding effects due to the close packing of the emitters. The junction temperature can then be calculated as follows:

$$T_j = T_s + 5 \cdot P_{\text{electrical_array}} \text{ (assuming all 4 LEDs are powered)}$$

In this equation $P_{\text{electrical_array}}$ is the combined electrical power going into the four LUXEON Z emitters. The $R\theta_{j-s}$ will typically be a bit lower if:

- the spacing between LUXEON Z emitters is increased
- the thickness of the top copper foil of the PCB is increased
- the thickness of the dielectric layer between the top copper foil and metal core is decreased
- the thermal conductivity of the dielectric material is increased.

The thermal resistance $R\theta_{j-s}$ between the junction of a single (powered) LUXEON Z emitter and T_s point on the same 4-up board configuration of Figure 7 was experimentally determined to be 18K/W. The junction temperature for the single LUXEON Z emitter can then be calculated as follows:

$$T_j = T_s + 18 \cdot P_{\text{electrical}} \text{ (assuming a single emitter is powered only)}$$

LED board configurations with a larger number of closely packed LUXEON Z emitters may require additional thermal modeling to determine the pad temperature of those LUXEON Z emitters in the center of the array which are not easily accessible.

4. Assembly Process Guidelines

4.1 Stencil Design

The appropriate stencil design for the LUXEON Z emitter is included in the PCB footprint design (see Figure 6). The recommended stencil thickness is 125 μ m. The slightly smaller stencil pattern, compared to the solder resist opening, prevents the solder paste from accidentally bridging between the electrodes, which are only spaced 250 μ m apart.

4.2 Pick-and-Place

Automated pick and place equipment provides the best handling and placement accuracy for LUXEON Z emitters. Figure 8 and Figure 9 show two pick and place nozzle designs and corresponding machine settings which were successfully used for the various LUXEON Z configurations with pick and place equipment from Yamaha (YV100X) and Juki (KE2080L).

Based on these pick and place experiments, Philips advises customers to take the following general pick and place guidelines into account:

1. For LUXEON Z InGaN emitters, the tip of the nozzle should be positioned on the flat surface above the LED chip area; the area around the TVS should be avoided because of the height differences (see Figure 10). There is no such constraint on the nozzle position for LUXEON Z AlInGaP emitters.
2. The nozzle tip should be clean and free of any particles since this may interact with the silicone coating of the LUXEON Z package during pick and place.
3. During setup and any initial production runs, it is a good practice to inspect the top surface of the LUXEON Z emitters under a microscope to ensure the emitters are not accidentally damaged by the pick and place nozzle.

Standard off-the-shelf nozzle "7WA"



PICK AND MOUNT INFORMATION	
Pick timer	0s
Mount timer	0s
Pick height	
InGaN (White) ^[1]	0.28mm
InGaN Lime ^[1]	0.18mm
InGaN (Direct Color) ^[1]	0.30mm
AlInGaP ^[1]	0.19mm
Mount height	0mm
Mount action	Normal
Mount speed	100%
Pickup speed	100%
Vacuum check	Normal Chk
Pick vacuum	20%
Mount vacuum	
InGaN	60%
AlInGaP	90%

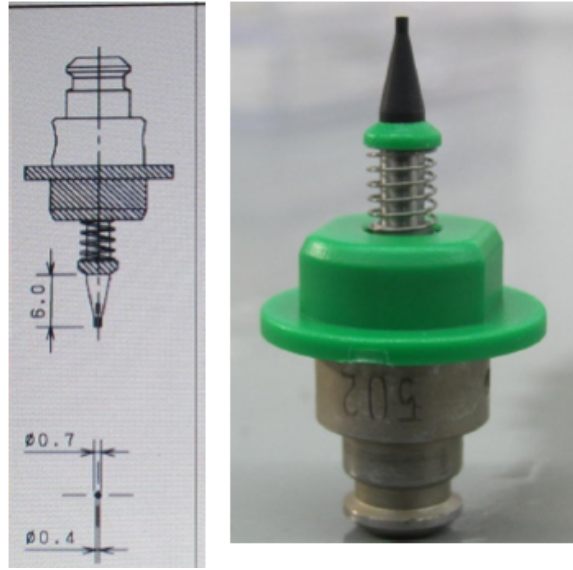
VISION INFORMATION	
Alignment group	Special
Alignment type	Odd.Chip
Alignment module	Fore & Back & Las
Light selection	Main + Coax
Lighting level	5/8
Comp. threshold	91
Comp. tolerance	15
Search area	1.5mm
Comp. intensity	N/A
Auto threshold	Not Used

Notes:

1. LUXEON Z AlInGaP product family uses deeper emitter pocket tape depth (1.15mm) than LUXEON Z InGaN product family (0.88mm).

Figure 8. Pick and place nozzle design and corresponding machine settings for Yamaha YV100X in combination with the off-the-shelf nozzle 7WA. Note that some of the machine settings are unique to each LUXEON Z configuration.

Standard off-the-shelf nozzle "502"



PICK AND MOUNT INFORMATION	
XY	Fast2
Pick depth	0mm
Picking stroke	0mm
Pick Z down	Fast2
Pick Z up	Fast2
Placing stroke	0mm
Place Z down	Fast2
Place Z up	Fast2
Theta (measure)	Fast
Theta (other)	Fast

VISION INFORMATION	
Centering method	Laser
Comp shape	Corner Square

Figure 9: Pick and place nozzle design and corresponding machine settings for Juki KE2080L in combination with the off-the-shelf nozzle 502. These machine settings were successfully used for all LUXEON Z configurations.

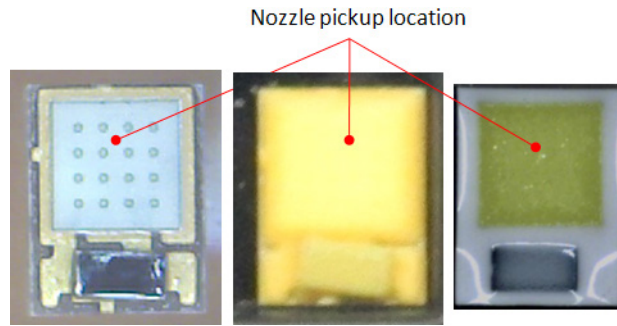


Figure 10. Nozzle pick-up location for LUXEON Z (InGaN) emitters.

Note that pick and place nozzles are customer specific and are typically machined to fit specific pick and place tools. Also, the pick and place machine settings in this application brief are typical values and should be used as a starting point to fine tune the actual pick and place process of interest. Finally, some pick and place machines may have additional hidden parameters, and when used with the nozzle design as described here, can affect the overall performance. Sometimes a customized nozzle such as the one shown in Figure 11 to prevent LUXEON emitter from getting stuck on the nozzle tip during pick and place process may be needed. Lumileds recommends that customer contact their pick and place manufacturer for additional nozzle support.

Since the LUXEON Z emitter has no primary optics or lens which can act as a mechanical enclosure protection for the LED chip, the pick-up and placement force applied to the top of the package should be kept to a minimum. This is particularly important for LUXEON Z InGaN direct color and LUXEON Z white emitters in which the silicone layer (with phosphor — for white emitters) is about 25 μ m and 50 μ m thick, respectively. The LUXEON Z AlInGaP emitters, in contrast, have a much thicker silicone layer and LUXEON Z InGaN lime emitters have hard phosphor platelet and are therefore, able to absorb higher forces. Experimental studies with various pick and place machines confirmed that LUXEON Z emitters can be reliably picked from tape and placed onto a PCB with a placement force \leq 30grams. Note that this placement force, consisting of impact force and dwell force (also known as static force), depends on the nozzle tip material, nozzle spring stiffness, nozzle diameter, vacuum pressure, over travel distance, PCB height differences and PCB warping.

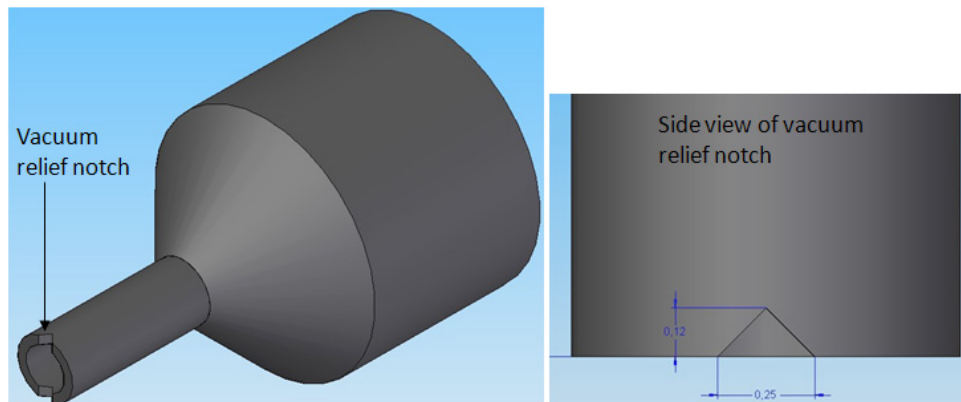


Figure 11. An example of a custom nozzle with vacuum relief notches to minimize LUXEON Z emitter from getting stuck to the nozzle tip during pick and place process. Shown here is a nozzle designed by Panasonic (p/n QUB540209220-ASSY) for Panasonic pick and place machine. The nozzle tip inner diameter is 0.70 mm and outer diameter 1.00 mm with relief notches of 0.25 mm wide as shown. Note that the vacuum relief notch does not necessarily have to be a triangular shape as long as the edges are rounded off to prevent surface damage. Further, the size and the number of notches may need to be optimized for specific sticky condition.

4.3 Reflow Accuracy

Using the solder resist and stencil pattern layout as shown in Figure 6, Lumileds has determined the placement accuracy after reflow to be within a standard deviation of 24 μ m in the x and y direction. For a small and lightweight package like LUXEON Z, the surface tension of liquid solder is typically sufficient to realign the LUXEON Z package to the nominal position of the footprint layout as demonstrated in Figure 12.

5. Packaging Considerations – Chemical Compatibility

The LUXEON Z package contains a silicone overcoat to protect the LED chip. As with most silicones used in LED optics, care must be taken to prevent any incompatible chemicals from directly or indirectly reacting with the silicone.

The silicone overcoat in LUXEON Z is gas permeable. Consequently, oxygen and volatile organic compound (VOC) gas molecules can diffuse into the silicone overcoat. VOCs may originate from adhesives, solder fluxes, conformal coating materials, potting materials and even some of the inks that are used to print the PCBs.

Some VOCs and chemicals react with silicone and produce discoloration and surface damage. Other VOCs do not chemically react with the silicone material directly but diffuse into the silicone and oxidize during the presence of heat or light. Regardless of the physical mechanism, both cases may affect the total LED light output. Since silicone permeability increases with temperature, more VOCs may diffuse into and/or evaporate out from the silicone.

Careful consideration must be given to whether LUXEON Z emitters are enclosed in an “air tight” environment or not. In an “air tight” environment, some VOCs that were introduced during assembly may permeate and remain in the silicone overcoat. Under heat and “blue” light, the VOCs inside the silicone overcoat may partially oxidize and create a silicone discoloration, particularly on the surface of the LED where the flux energy is the highest. In an air rich or “open” air environment, VOCs have a chance to leave the area (driven by the normal air flow). Transferring the devices which were discolored in the enclosed environment back to “open” air may allow the oxidized VOCs to diffuse out of the silicone overcoat and may restore the original optical properties of the LED.

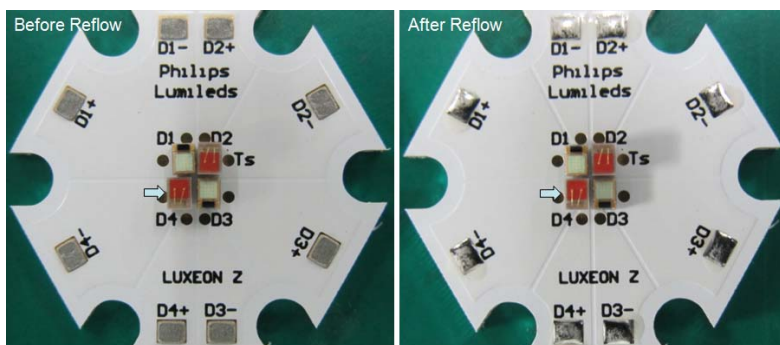


Figure 12. LUXEON Z self alignment before (left) and after reflow (right).

Determining suitable threshold limits for the presence of VOCs is very difficult since these limits depend on the type of enclosure used to house the LEDs and the operating temperatures. Also, some VOCs can photo-degrade over time.

Table 2 provides a list of commonly used chemicals that should be avoided as they may react with the silicone material. Note that Lumileds does not warrant that this list is exhaustive since it is impossible to determine all chemicals that may affect LED performance.

The chemicals in Table 2 are typically not directly used in the final products that are built around LUXEON Z LEDs. However, some of these chemicals may be used in intermediate manufacturing steps (e.g. cleaning agents). Consequently, trace amounts of these chemicals may remain on (sub)components, such as heat sinks. Lumileds, therefore, recommends the following precautions when designing your application:

- When designing secondary lenses to be used over an LED, provide a sufficiently large air-pocket and allow for “ventilation” of this air away from the immediate vicinity of the LED.
- Use mechanical means of attaching lenses and circuit boards as much as possible. When using adhesives, potting compounds and coatings, carefully analyze its material composition and do thorough testing of the entire fixture under High Temperature over Life (HTOL) conditions.

Table 2. List of commonly used chemicals that will damage the silicone overcoat of LUXEON Z.

Avoid using any of these chemicals in the housing that contains the LED package.

CHEMICAL NAME	NORMALLY USED AS
Hydrochloric acid	acid
Sulfuric acid	acid
Nitric acid	acid
Acetic acid	acid
Sodium hydroxide	alkali
Potassium hydroxide	alkali
Ammonia	alkali
MEK (Methyl Ethyl Ketone)	solvent
MIBK (Methyl Isobutyl Ketone)	solvent
Toluene	solvent
Xylene	solvent
Benzene	solvent
Gasoline	solvent
Mineral spirits	solvent
Dichloromethane	solvent
Tetrachlorometane	solvent
Castor oil	oil
Lard	oil
Linseed oil	oil
Petroleum	oil
Silicone oil	oil
Halogenated hydrocarbons (containing F, Cl, Br elements)	misc
Rosin flux	solder flux
Acrylic tape	adhesive



About Lumileds

Lumileds is the light engine leader, delivering innovation, quality and reliability.

For 100 years, Lumileds commitment to innovation has helped customers pioneer breakthrough products in the automotive, consumer and illumination markets.

Lumileds is shaping the future of light with our LEDs and automotive lamps, and helping our customers illuminate how people see the world around them.

To learn more about our portfolio of light engines, visit lumileds.com.



©2015 Lumileds Holding B.V. All rights reserved.
LUXEON is a registered trademark of the Lumileds Holding B.V.
in the United States and other countries.

lumileds.com

Neither Lumileds Holding B.V. nor its affiliates shall be liable for any kind of loss of data or any other damages, direct, indirect or consequential, resulting from the use of the provided information and data. Although Lumileds Holding B.V. and/or its affiliates have attempted to provide the most accurate information and data, the materials and services information and data are provided "as is," and neither Lumileds Holding B.V. nor its affiliates warrants or guarantees the contents and correctness of the provided information and data. Lumileds Holding B.V. and its affiliates reserve the right to make changes without notice. You as user agree to this disclaimer and user agreement with the download or use of the provided materials, information and data.