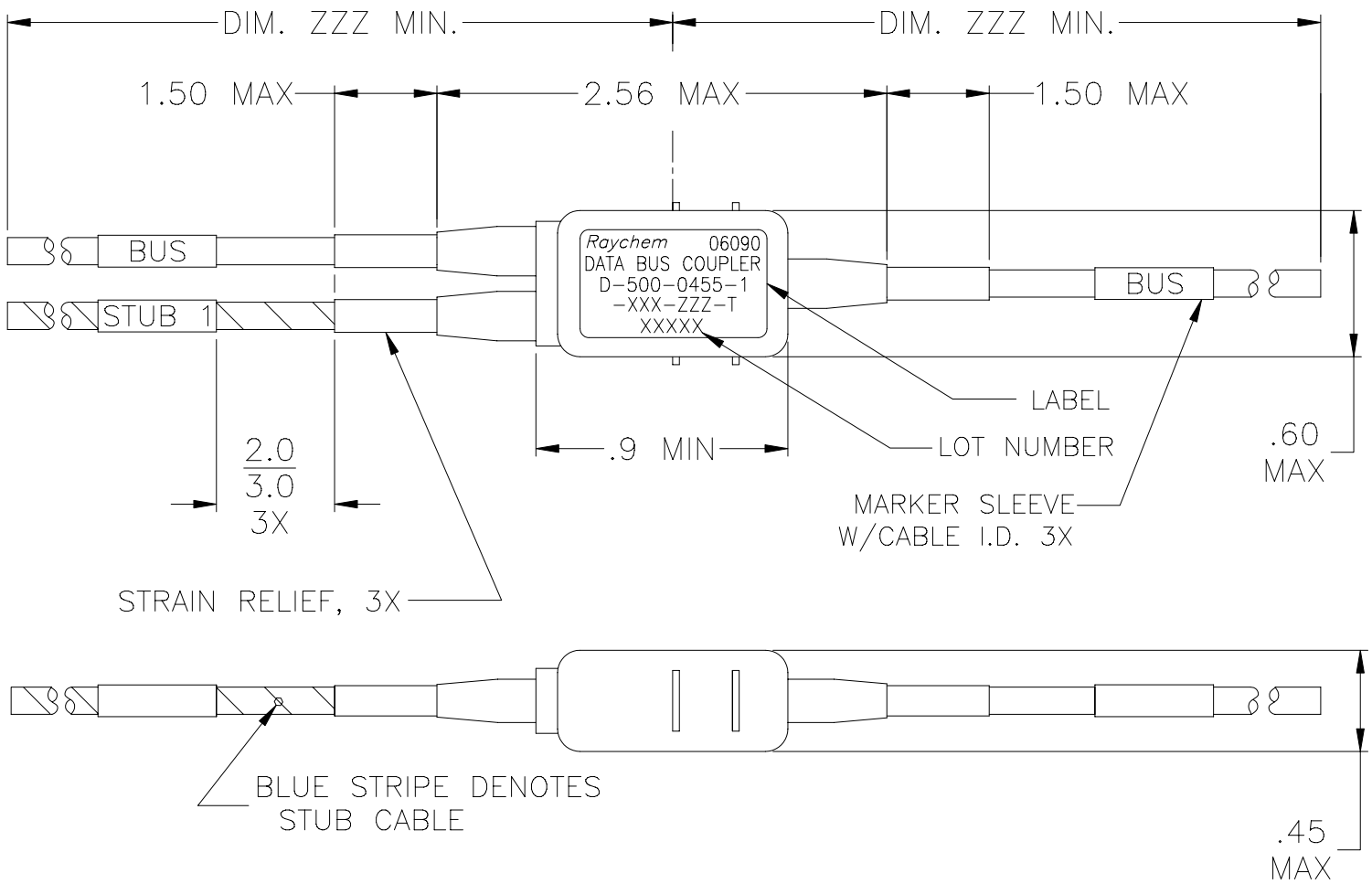


THIS DRAWING AND THE INFORMATION SET FORTH HEREON ARE THE PROPERTY OF TYCO CORPORATION, AND ARE TO BE HELD IN TRUST AND CONFIDENCE. PUBLICATION, DUPLICATION, DISCLOSURE, OR USE FOR ANY PURPOSE NOT EXPRESSLY AUTHORIZED IN WRITING BY TYCO CORPORATION IS PROHIBITED.

REVISIONS

| REV | DESCRIPTION | DATE | APPROVED |
|-----|-----------------------------|---------|----------|
| A | REVISED PER DCR NO. T-31841 | 6/11/03 | GMR |



PART NO. D-500-0455-1-XXX-ZZZ-T

1=SINGLE STUB

TUBING, STRAIN RELIEF

LENGTH OF CABLE IN INCHES

CABLE

- 612=10612 (SINGLE OPTIMIZED BRAID)
- 613=10613 (DOUBLE OPTIMIZED BRAID)
- 614=10614 (EMP HARDENED)

If this document is printed it becomes uncontrolled.
Check for the latest revision.

SPECIFICATION CONTROL DRAWING

| | | | | | |
|--|------------------------|-------------------------------------|---|--|---------|
| UNLESS OTHERWISE SPECIFIED DIMENSIONS ARE IN INCHES AND TOLERANCES ARE: .XXX ± ____ .XX ± ____ ANGLE ± ____ | DRAWN T RATZLAFF | DATE 01JAN16 | tyco Electronics | Tyco Electronics 300 CONSTITUTION DRIVE MENLO PARK, CALIFORNIA 94025 USA | Raychem |
| | CHECKED | DATE | | | |
| MATERIAL | APPROVED P DUTTON | DATE 01JAN16 | TITLE DATABUS COUPLER SINGLE STUB IN-LINE WITH CABLE STRAIN RELIEF | | |
| | THIRD ANGLE PROJECTION | | | | |
| FINISH | CAD NAME T31841A | SIZE A | CODE IDENT. NO. 06090 | DWG. NO. D-500-0455-1-XXX-ZZZ-T | |
| | PCN | SCALE: DO NOT SCALE THIS DRAWING | | SHEET 1 OF 2 | |

1. MATERIAL AND FINISHES:If this document is printed it becomes uncontrolled.
Check for the latest revision.

1.1 INTERNAL COMPONENTS:

1.1.1 -TRANSFORMER TO MIL-PRF-21038 AND MIL-STD-1553B

1.1.2 -RESISTORS TO MIL-PRF-39007/9, 57.6 OHMS

1.2 SHIELDED CASE: ALUMINUM PER ASTM-B618

1.3 SEALED STRAIN RELIEF COVER: MODIFIED CROSS-LINKED ELASTOMER, BLACK,
TO RAYCHEM SPECIFICATION RK-6713.

1.4 CABLE TYPE PER RAYCHEM SPECIFICATION 1200 (SEE PART NO. ON SHEET 1).

1.5 STRAIN RELIEF TUBING: RAYCHEM TAT-125

2. APPLICATION:2.1 THIS COUPLER IS DESIGNED TO BE INSTALLED AS A DIGITAL MULTIPLEX ASSEMBLY
MEETING THE REQUIREMENTS OF MIL-STD-1553B.

2.2 FOR CABLE SPLICING USE FLEXIBLE SPLICE KIT D-150-0708-5 (NOT SUPPLIED).

2.3 CABLE BEND RADIUS PER SAE-AS50881 STATIC BEND: 5 x CABLE O.D. MIN.

DYNAMIC BEND: 10 x CABLE O.D. MIN.

3. TEMPERATURE:

3.1 OPERATING TEMPERATURE: -65°C TO +150°C

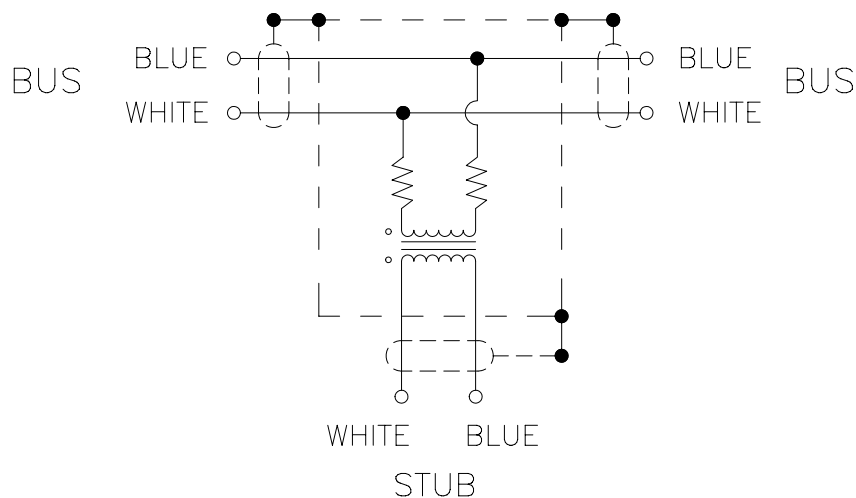
4. PERFORMANCE SPECIFICATIONS:

4.1 TRANSFORMER MEETS THE PERFORMANCE REQUIREMENTS OF MIL-STD-1553B.

4.2 COUPLER MEETS THE PERFORMANCE REQUIREMENTS OF RAYCHEM SPECIFICATION D-6020.

5. WEIGHT:

5.1 MAXIMUM WEIGHT WITHOUT CABLE: 12 GRAMS MAX.

SINGLE STUB COUPLER SCHEMATIC

SPECIFICATION CONTROL DRAWING

| | | | | | |
|---------------------|-----------------------------------|---------------------------|--------------------------|------------------------------------|--------------|
| DRAWN T RATZLAFF | DATE 16JAN2001 | SIZE A | CODE IDENT. NO. 06090 | DWG. NO. D-500-0455-1-XXX-ZZZ-T | REV A |
| CAD FILE T31841B | tyco Electronics | DO NOT SCALE THIS DRAWING | | | SHEET 2 OF 2 |