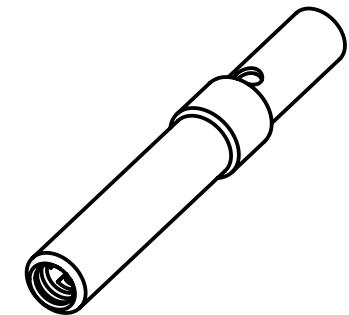
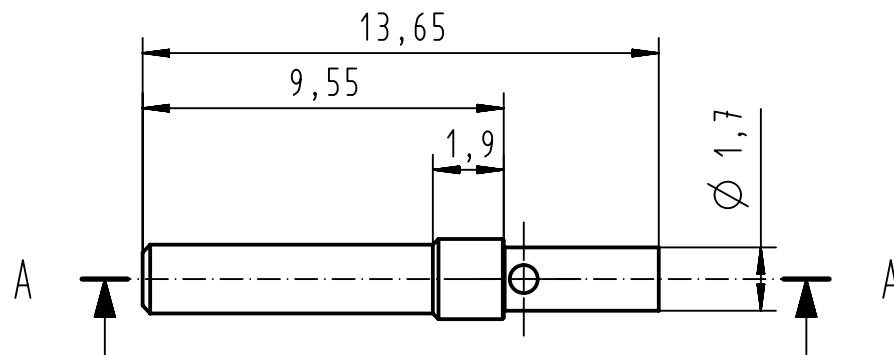



Crimping of AWG 18-22 :
 09 99 000 0501 hand tool
 09 99 000 0531 locator



5000	09 67 000 3676 580	1
100	09 67 000 3676	1
Bulk packaging	Part number	Perf. Level

	All rights reserved		Created by		Inspected by		Standardisation		Date		State		
	Department EC PD - FR		BOURGEOIS		BAGDIKIAN		KOHLER		2014-06-18		Final Release		
HARTING Electronics GmbH D-32339 Espelkamp			Title D-Sub, FE High-end AWG 18-22 crimp cont									Doc-Key / ECM-Nr. 100220456/UGD/005/C 500000076079	
			Type TB		Number 09670003676					Rev. C	Page 1/1		