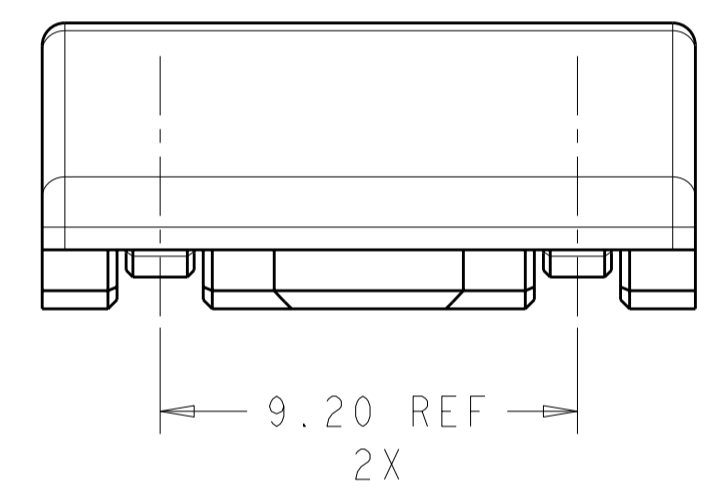
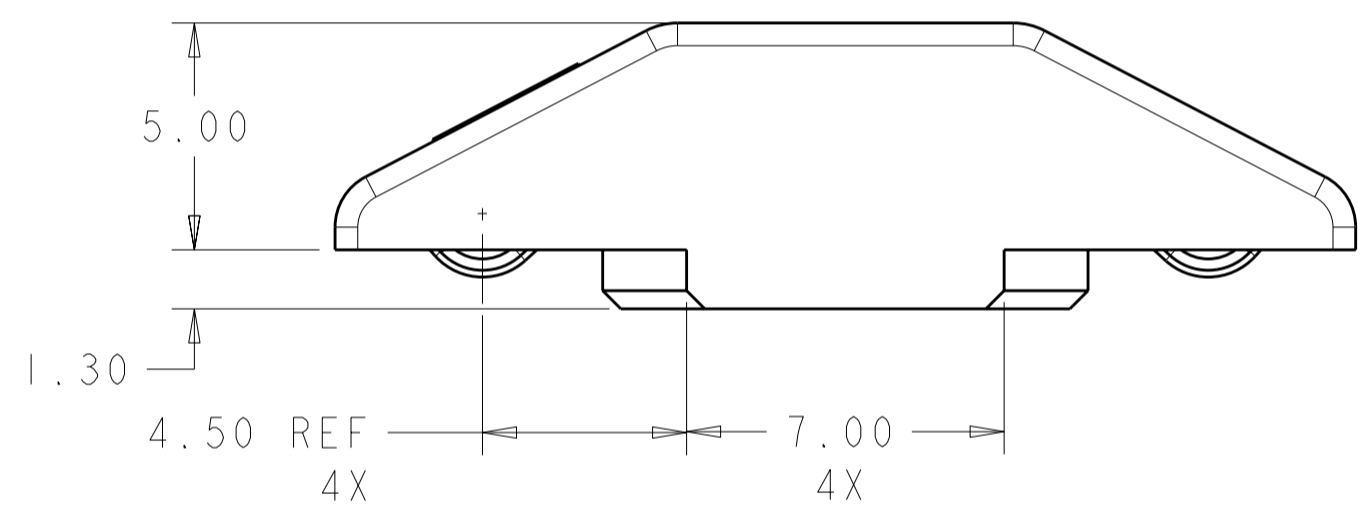
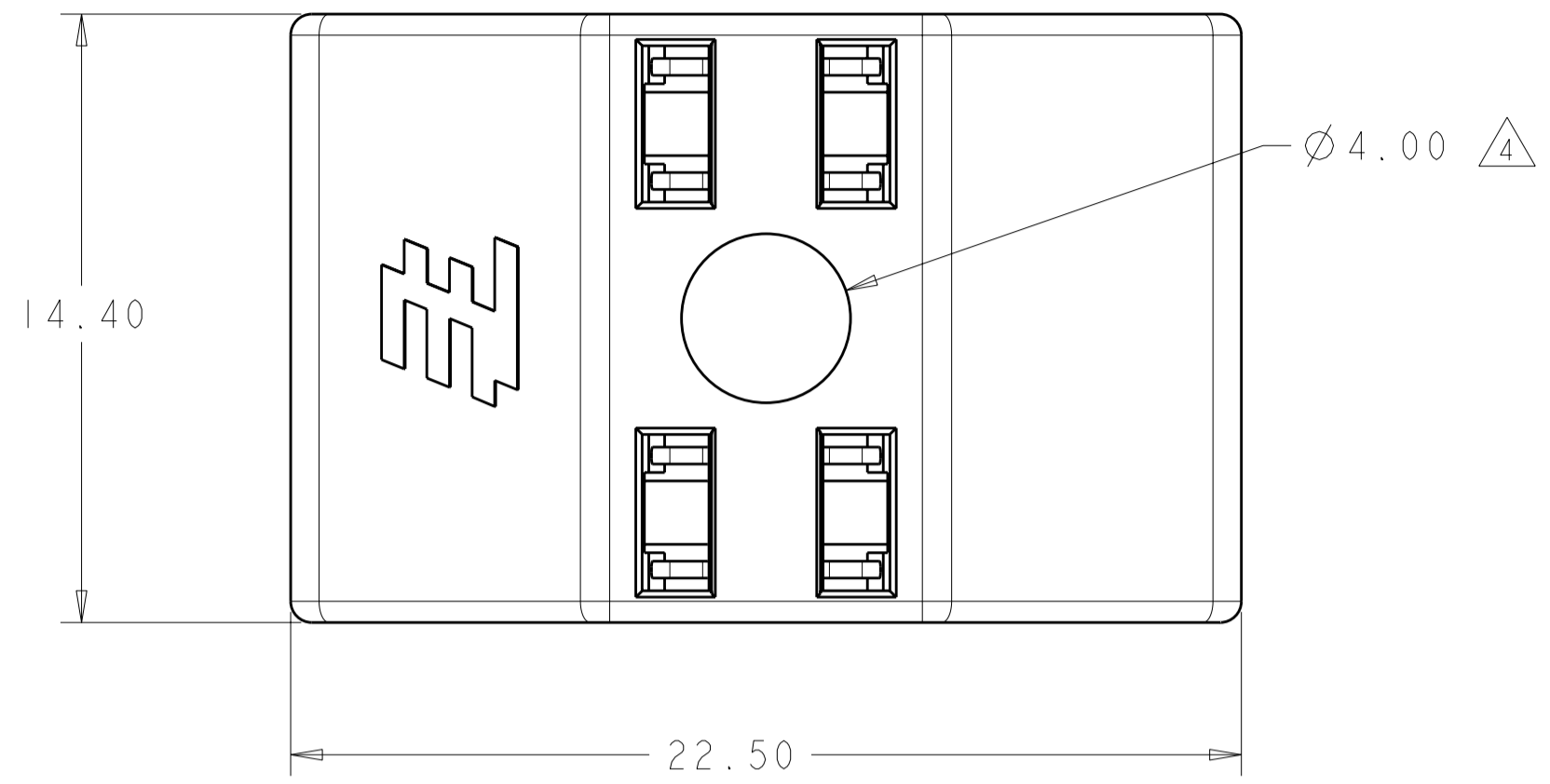


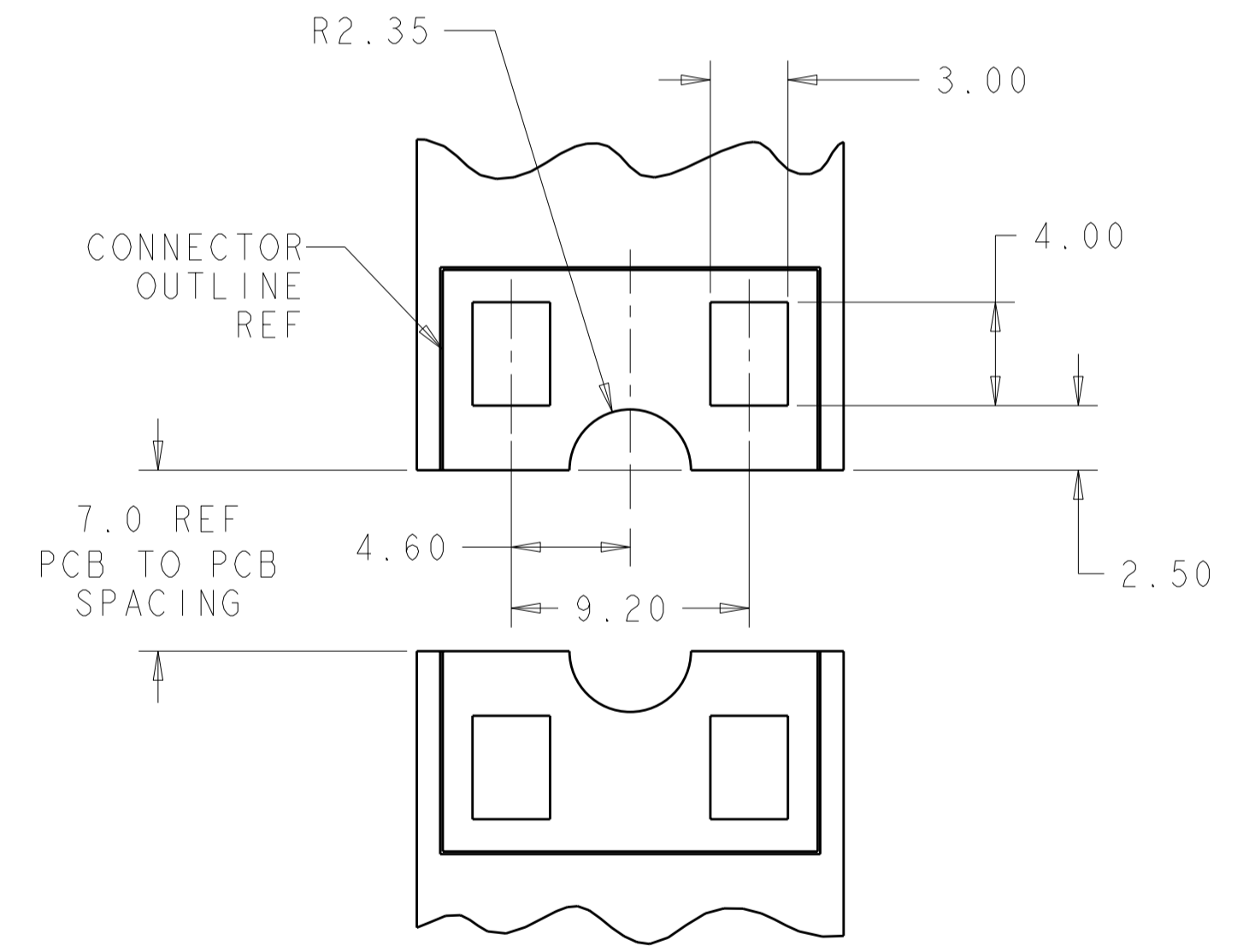
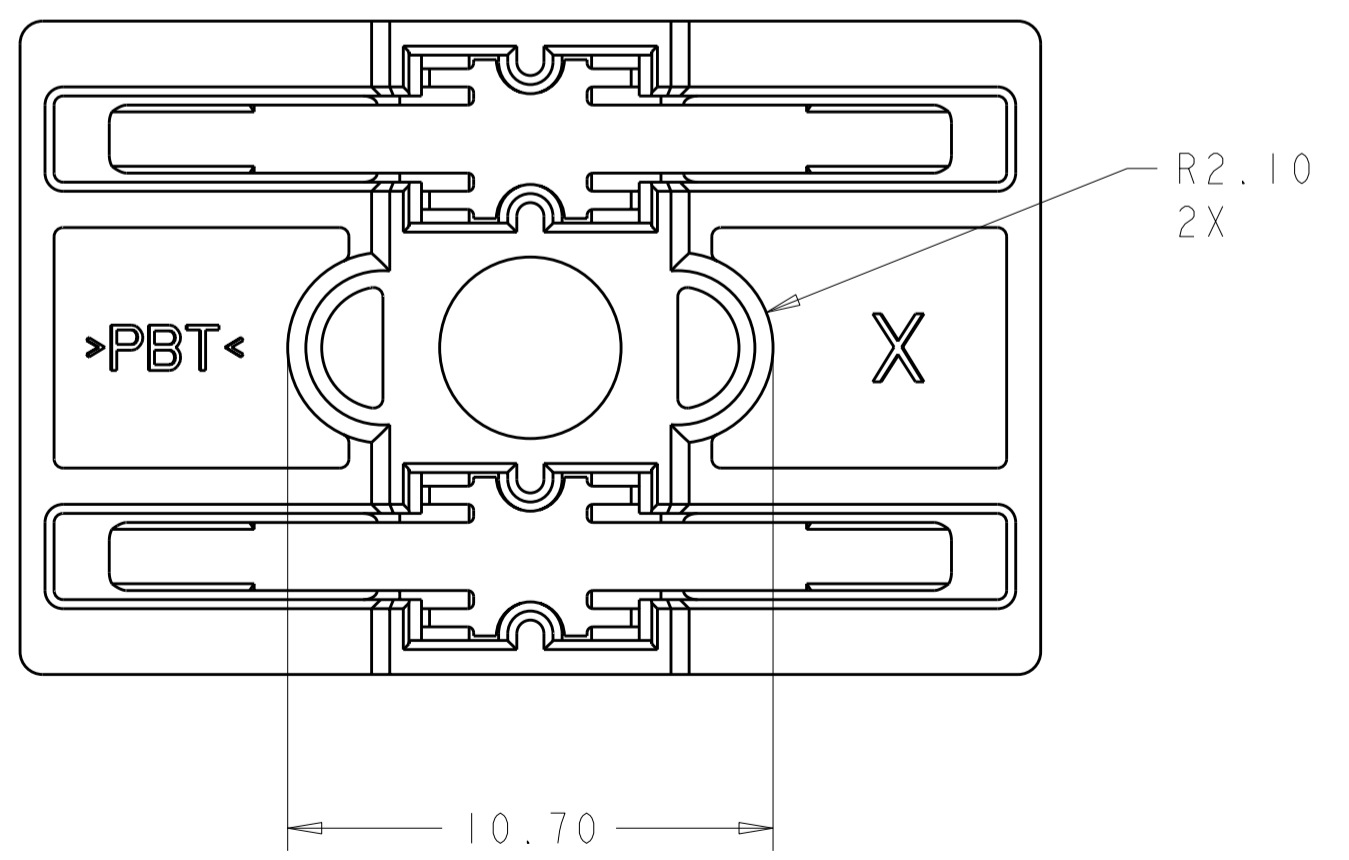
THIS DRAWING IS UNPUBLISHED. RELEASED FOR PUBLICATION 20
 © COPYRIGHT 20 BY - ALL RIGHTS RESERVED.

REVISIONS							
LOC	DIST	P	LTR	DESCRIPTION	DATE	DWN	APVD
-	-	A2		REVISED PER ECO-11-004820	11MAR2011	RK	HMR



NOTES:

- \triangle MATERIALS AND FINISH:
 -HOUSING: PBT, COLOR: NATURAL
 -CONTACTS: COPPER ALLOY, FINISH: PRE-TIN
- 2. MUST COMPLY WITH DIRECTIVE 2002/95/EC (ROHS)
- 3. THIS PRODUCT HAS NOT COMPLETED VALIDATION TESTING
- \triangle RECOMMENDED SCREW SIZE: #6
 SCREW DOWN TORQUE: 0.11-.22 N-M [1.0-2.0 LBF-IN]
- 5. SCREWS FROM FERROUS METALS (OTHER THAN STAINLESS STEEL) SHOULD BE ZINC PLATED OR HAVE AN EQUIVALENT PROTECTIVE COATING
- 6. PACKAGING: TUBE PACKAGING



RECOMMENDED PCB LAYOUT
 SCALE 4:1

2106154-1
 PART NO.

THIS DRAWING IS A CONTROLLED DOCUMENT.		DWN C. DAILY 04FEB2009	TE Connectivity	
		CHK R. NARANG 04FEB2009		
DIMENSIONS: mm		APVD -	NAME JUMPER, BOARD TO BOARD, SCREW DOWN	
TOLERANCES UNLESS OTHERWISE SPECIFIED:		PRODUCT SPEC 108-2392	SIZE A2	
0 PLC ±		APPLICATION SPEC 114-13260	CAGE CODE A200779	
1 PLC ±0.2		WEIGHT -	DRAWING NO 2106154	
2 PLC ±0.13		RESTRICTED TO -		
3 PLC ±		SCALE 6:1		
4 PLC ±		SHEET 1 OF 1		
ANGLES ±3°		REV A2		
FINISH		CUSTOMER DRAWING		