



## Installation Guide

E3R-D12GP

**300W Plug-in Dimmer/Relay**



## Overview

The easy-to-install 300W Plug-in Dimmer/Relay provides dimming and relay (ON/OFF) control of lamps and other devices. Simply plug a lamp into the receiver, then plug the receiver into a standard electrical outlet. The lamp can then be controlled using self-powered wireless light switches or sensors.

The receiver operates in Dimmer Mode by default, but can be programmed to operate in Relay Mode (see **Figure A**).

### Compatible Devices

- Single Rocker Self-powered Wireless Light Switch; E3T-S1Axx
- Dual Rocker Self-powered Wireless Light Switch; E3T-S2Axx
- Handheld Self-powered Wireless Light Switch; E3T-S2Hxx
- Key Card Access Switch; E3T-C1AWH
- More transmitters available

### Components Included

The following items are included with this product:

- A -- (1) ILLUMRA Plug-in Dimmer/Relay
- B -- (1) Installation Guide

## Installation

CAUTION: SUITABLE FOR USE ON A CIRCUIT CAPABLE OF DELIVERING NOT MORE THAN 15 RMS SYMMETRICAL AMPERES MAXIMUM

ADVERTISSEMENT: CONVIENT À UN CIRCUIT POUVANT DÉBITER UN COURANT DE DÉFAUT MAXIMAL DE 15 MPÈRES EFFICACES SYMÉTRIQUES.

Caution: Plug-in Dimmer/Relay is intended only for use indoors, in dry locations.

Note: Depending on circumstances, it may be convenient to pre-program the receiver prior to final installation.

Step 1: Plug lamp or other device into bottom of Plug-in Dimmer/Relay.

Step 2: Plug receiver into any 120 VAC power outlet. (See **Figure B**).

## Programming

The receiver must be powered when programming. After programming, settings are retained when power is disconnected. The receiver sensitivity is reduced when in Learn Mode to prevent unintentionally associating unwanted transmitters with the receiver. Transmitters should be within 15 feet (5 meters) of the receiver when programming.

Step 1: Read all programming steps before taking any action to program receiver.

Step 2: Activate Learn Mode by pressing and holding the LRN button for 0.5 seconds. The electrical load connected to the receiver will begin turning ON and OFF in a slow pattern.

Step 3: While in Learn Mode, press and release one end of a switch rocker (See **Figure C**). The load will stay ON for 4 seconds indicating that the receiver has stored the transmitter's unique ID in its memory.

Step 4: (If only one transmitter is desired then continue to Step 5). To program a second transmitter to communicate with this receiver, wait until toggling of the load resumes. Repeat the instructions in Step 3 and Step 4 until the unique IDs of all desired transmitters are stored in the memory of the receiver.

Step 5: To complete programming, just wait; the receiver automatically exits Learn Mode after 30 seconds. Alternatively, press and hold the LRN button for 2 seconds to exit Learn Mode.

**Selective Deleting.** Follow the Programming steps above to remove a transmitter ID from a receiver's memory. Upon pressing the desired switch rocker (See **Programming, Step 3**) the electrical load connected to the receiver will stay OFF for about 3 seconds indicating that the receiver has removed the transmitter's unique ID from its memory.

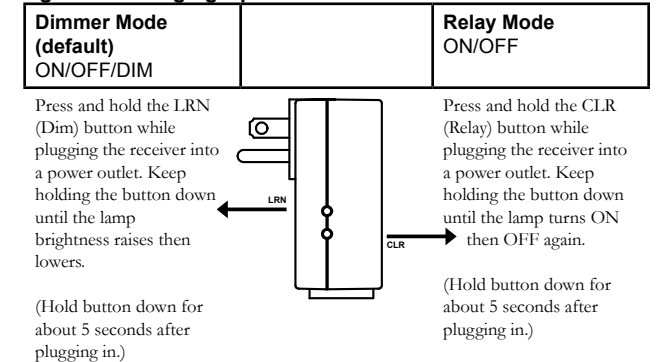
**Clear All.** If the CLR button is pressed and held for 3 seconds, the entire memory of the receiver will be deleted. The receiver will instantly enter programming mode indicated by the electrical load toggling ON and OFF.

## Specifications

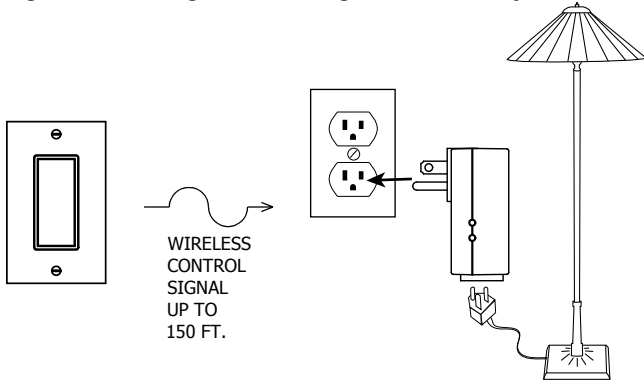
	E3R-D12GP
Range	50-150 feet (typical)
Frequency	315 MHz
Power Supply Input Rating	120VAC 60 Hz
Output Rating	Maximum 300W resistive Incandescent or other dimmable loads only - No motor loads
Output Channels	1 dimming or ON/OFF output
Memory	Stores up to 30 unique transmitter IDs
Operating Temperature	-13° to +122°F (-25° to +50°C)
Storage Temperature	-40° to +140°F (-40° to +60°C)
Dimensions	3.26 x 2.07 x 1.42 inches (82 x 53 x 36 mm)
Radio Certification	FCC (United States): SZV-TCM2XXC I.C. (Canada): 5713A-TCM2XXC
Safety Approval	ETL (United States): UL244A ETL (Canada): CSAC22.2#14-05

## Diagrams

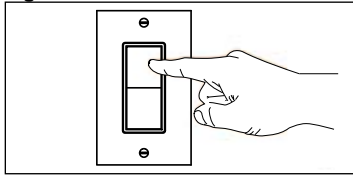
**Figure A: Changing Operation Mode**



**Figure B: Installing the 300W Plug-in Dimmer/Relay**



**Figure C: Press Transmitter**



Contains FCC ID: SZV-TCM2XXC

Contains IC: 5713A-TCM2XXC

The enclosed device complies with Part 15 of the FCC Rules. Operation is subject to the following two conditions: (i.) this device may not cause harmful interference and (ii.) this device must accept any interference received, including interference that may cause undesired operation.



ETL (US) – Conforms to UL STD 244A. This device was tested according to and was found to comply with UL 244A Solid State Controls for Appliances.

ETL (Canada) – Certified to CAN/CSA STD C22.2 No. 14-05. This device was tested according to and was found to comply with CAN/CSA STD C22.2 No. 14-05.

Always follow local electrical codes when installing this device. Installation should be performed by a qualified electrician.

This device or certain aspects thereof is protected by at least one U.S. or international patent or has at least one such patent application pending.



ILLUMRA is a trademark of Ad Hoc Electronics, LLC. Other trademarks herein are the property of their respective owners.