

4

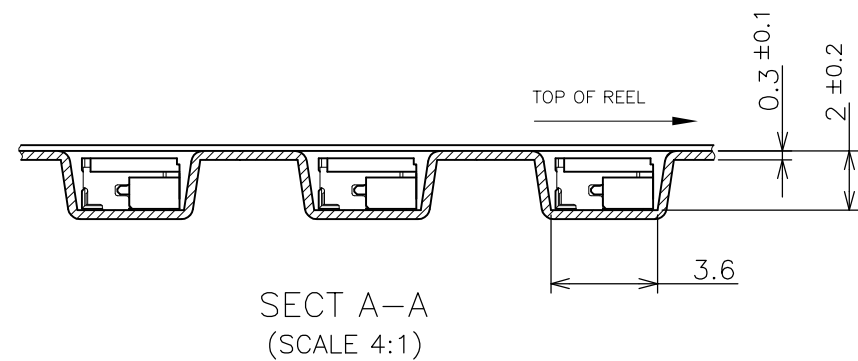
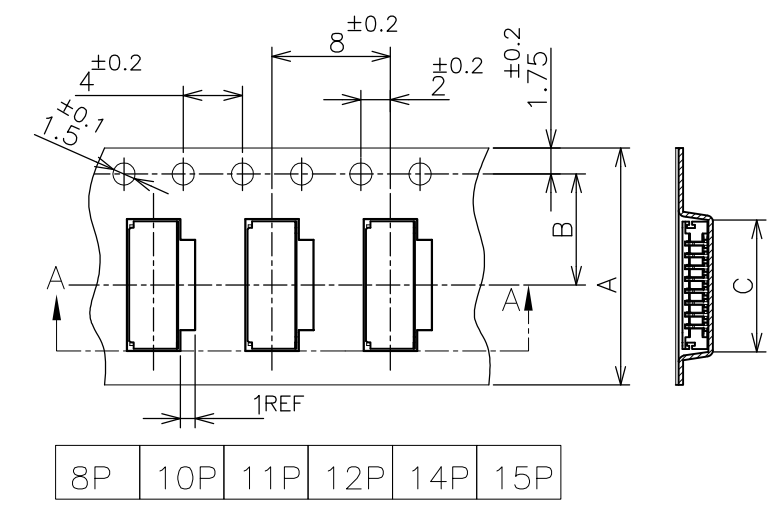
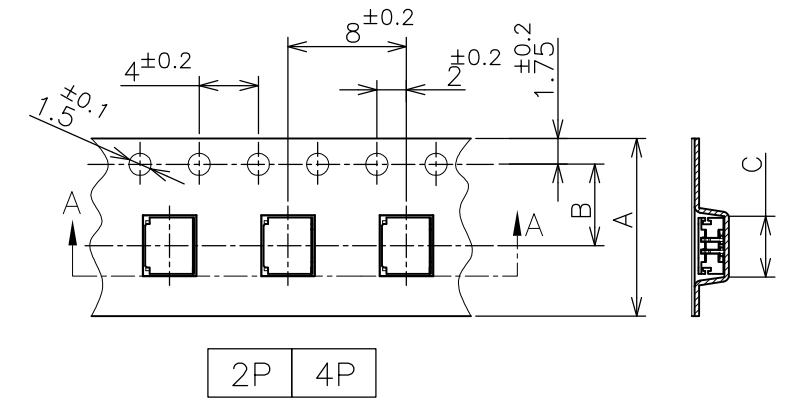
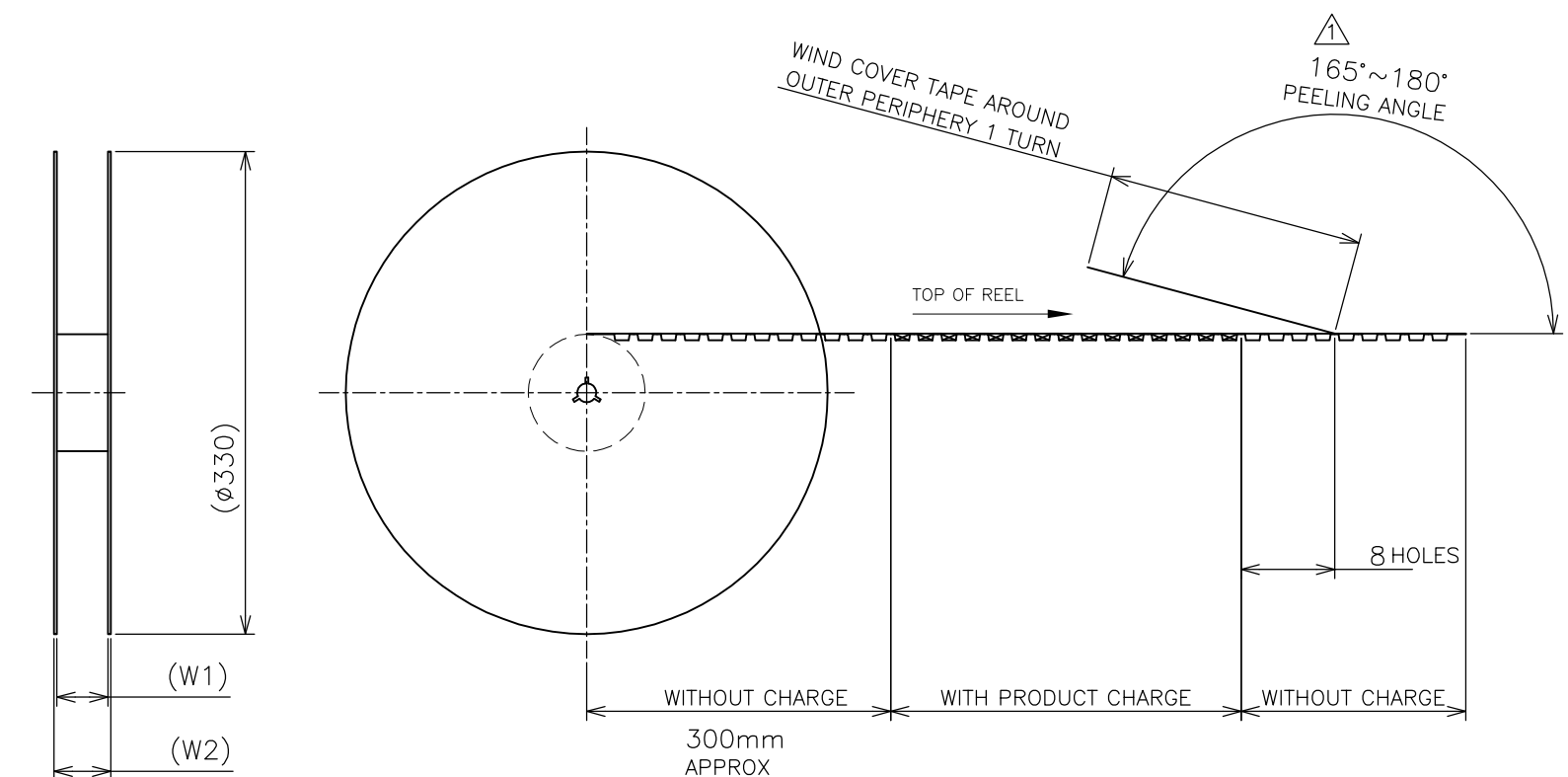
3

2

1

THIS DRAWING IS UNPUBLISHED. RELEASED FOR PUBLICATION
 © COPYRIGHT 2002 By - ALL RIGHTS RESERVED.

LOC	DIST	REVISIONS					
ES	00	P	LTR	DESCRIPTION	DATE	DWN	APVD
		B1		REVISED ECR-11-021637	28OCT11	C.Z	S.Y



NATURAL	PLASTIC	30.4	24.4	14.5	11.5	24	3500	15	1-1674976-5
NATURAL	PLASTIC	30.4	24.4	13.7	11.5	24	3500	14	1-1674976-4
NATURAL	PLASTIC	30.4	24.4	12.1	11.5	24	3500	12	1-1674976-2
NATURAL	PLASTIC	30.4	24.4	11.3	11.5	24	3500	11	1-1674976-1
NATURAL	PLASTIC	30.4	24.4	10.45	11.5	24	3500	10	1-1674976-0
NATURAL	PLASTIC	22.4	16.4	8.9	7.5	16	3500	8	1674976-8
NATURAL	PLASTIC	18.4	12.4	5.7	5.5	12	3500	4	1674976-4
NATURAL	PLASTIC	18.4	12.4	4.1	5.5	12	3500	2	1674976-2
HOUSING COLOR	REEL MATERIAL	REF W2	REF W1	C	B	A	QTY/REEL	POS	P/N

NOTES
 △COVER TAPE PEELING STRENGTH:1N(102gf)MAX
 PEELING ANGLE:165°-180°
 PEELING SPEED:300mm/MINUTE

THIS DRAWING IS A CONTROLLED DOCUMENT.

DWN J.TSUJI 09APR03
 CHK S.KAJINUMA 09APR03
 APVD Y.YAMAMOTO 09APR03

STE TE Connectivity

NAME: TAB ASSEMBLY (H) SMT-TYPE WITH EMBOSS TAPE PACKAGE
 APPLICATION SPEC: 0.8mm PITCH WIRE TO BOARD MICRO TERMINATION (MT) CONNECTOR

PRODUCT SPEC: 108-5830

SIZE: A3 CAGE CODE: 00779 DRAWING NO: 1674976 RESTRICTED TO: -

MATERIAL: --- FINISH: --- WEIGHT: ---

CUSTOMER DRAWING SCALE: NTS SHEET: 1 of 2 REV: B1

4

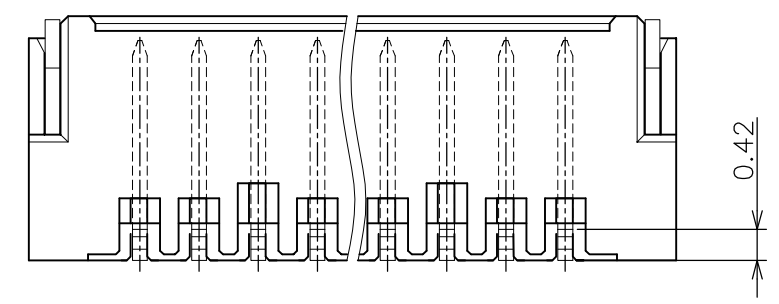
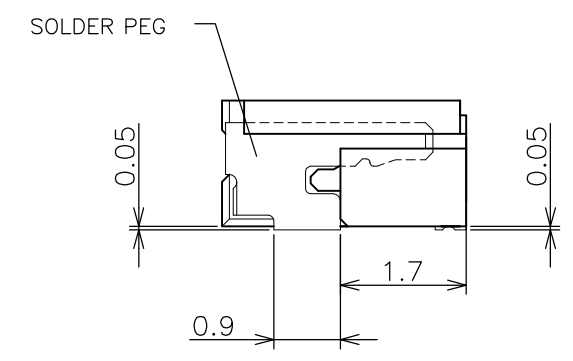
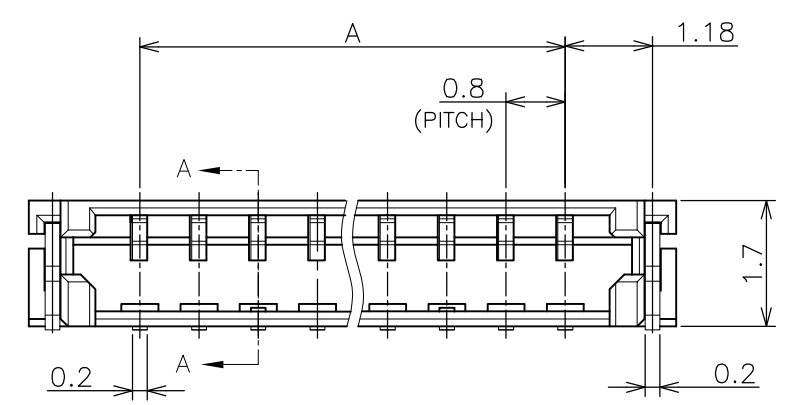
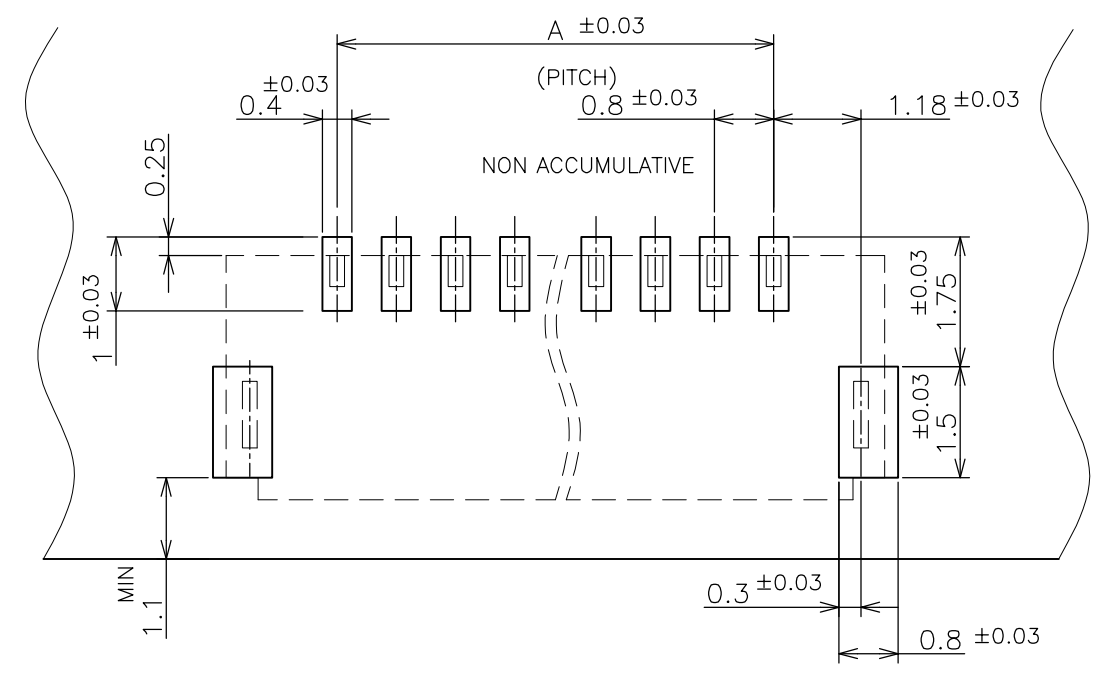
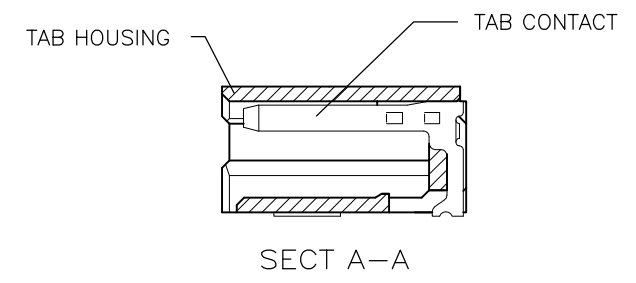
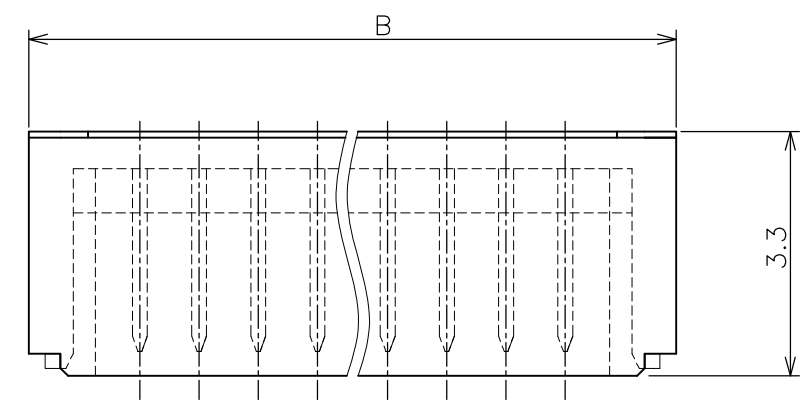
3

2

1

THIS DRAWING IS UNPUBLISHED. RELEASED FOR PUBLICATION
 © COPYRIGHT 2002 By - ALL RIGHTS RESERVED.

LOC	DIST	REVISIONS					
ES	00	P	LTR	DESCRIPTION	DATE	DWN	APVD
		-	-	SEE SHEET 1	-	-	-



0.085	NATURAL	14.2	11.2	15	1-1674976-5
0.08	NATURAL	13.4	10.4	14	1-1674976-4
0.07	NATURAL	11.8	8.8	12	1-1674976-2
0.065	NATURAL	11	8	11	1-1674976-1
0.06	NATURAL	10.2	7.2	10	1-1674976-0
0.05	NATURAL	8.6	5.6	8	1674976-8
0.03	NATURAL	5.4	2.4	4	1674976-4
0.02	NATURAL	3.8	0.8	2	1674976-2
WEIGHT(g)	COLOR	B	A	POSITION	PART NUMBER

NOTES
 1. MATERIAL:
 TAB HOUSING: THERMO PLASTIC UL94V-0
 TAB CONTACT: COPPER ALLOY, Sn PLATING
 SOLDER PEG: COPPER ALLOY, Sn PLATING

THIS DRAWING IS A CONTROLLED DOCUMENT.

DIMENSIONS: MM	TOLERANCES UNLESS OTHERWISE SPECIFIED:	DWN	TE Connectivity
	0-PLC ± 1-PLC ± ±0.3 2-PLC ± ±3° 3-PLC ± ±3° 4-PLC ± ± ANGLES ±	CHK	
MATERIAL	FINISH	APVD	NAME
		PRODUCT SPEC	TAB ASSEMBLY (H) SMT-TYPE
		APPLICATION SPEC	0.8mm PITCH WIRE TO BOARD
		WEIGHT SEE TABLE	MICRO TERMINATION (MT) CONNECTOR
		CUSTOMER DRAWING	SIZE CAGE CODE DRAWING NO RESTRICTED TO
			A3 00779 C-1674976
			SCALE NTS SHEET 2 OF 2 REV B1