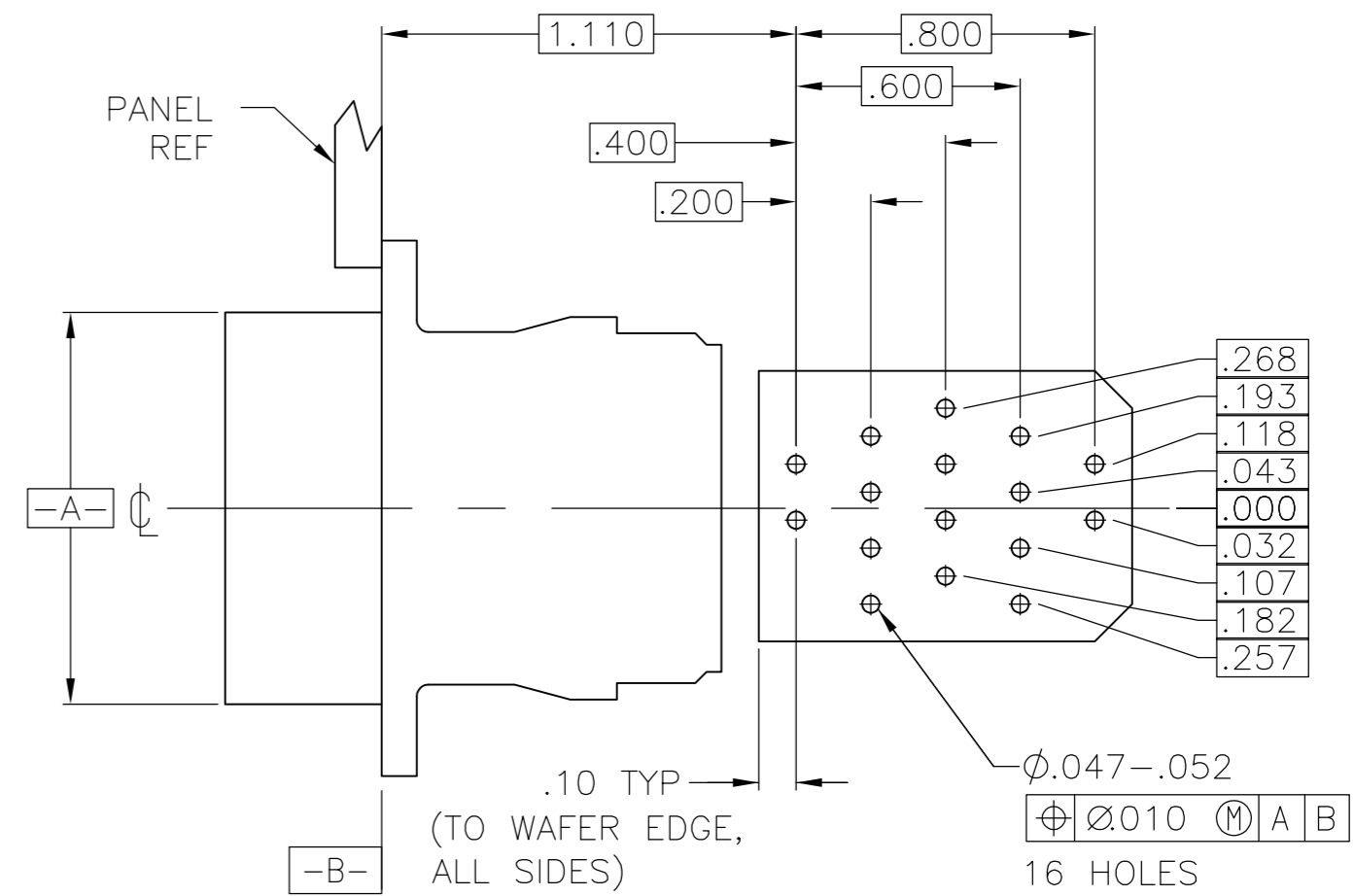
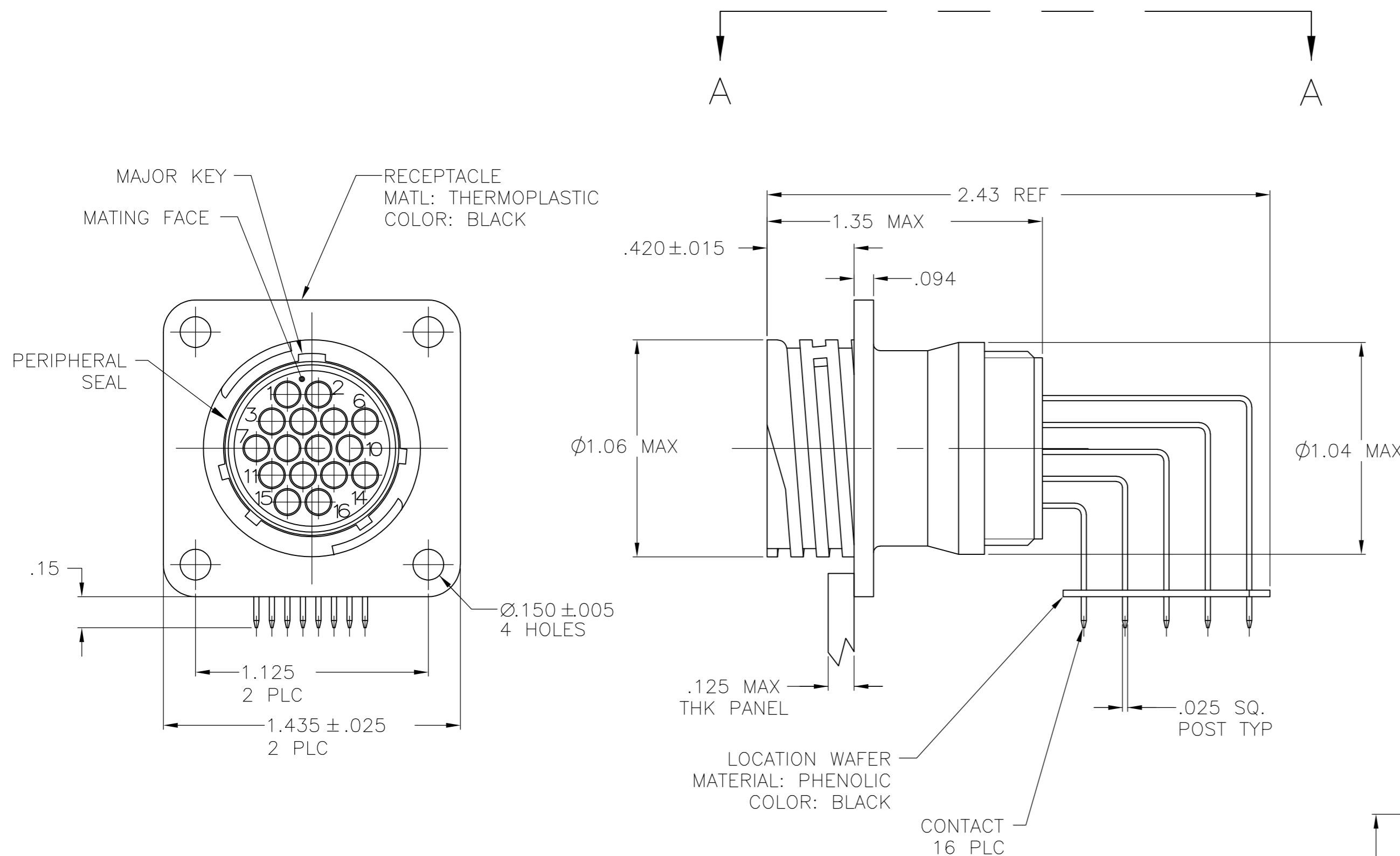
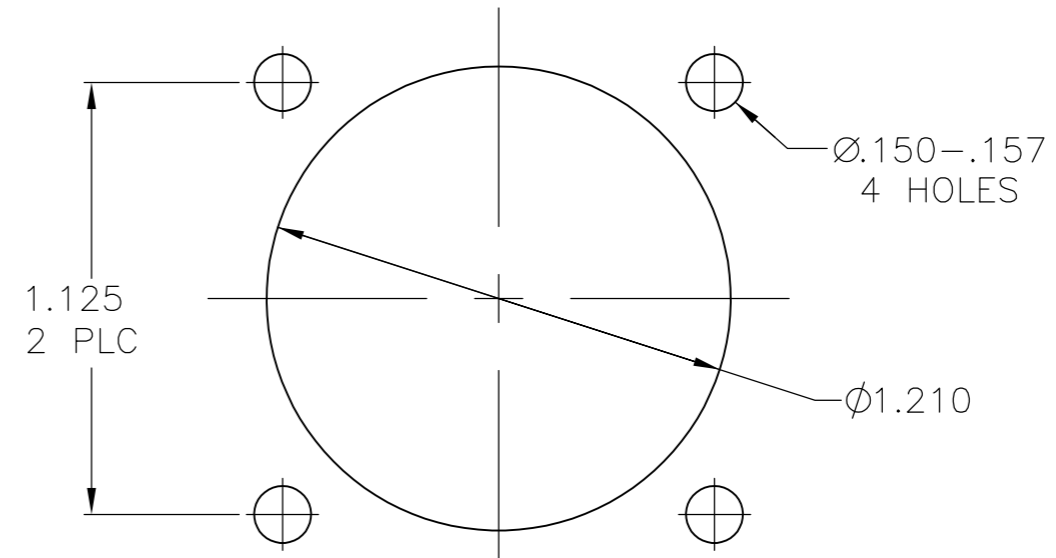


THIS DRAWING IS UNPUBLISHED. RELEASED FOR PUBLICATION  
 © COPYRIGHT - By - ALL RIGHTS RESERVED.

REVISIONS					
P	LTR	DESCRIPTION	DATE	DWN	APVD
	C3	REVISED PER ECO-16-004800	08SEP2016	NK	MZ
	D	REVISED PER ECO-17-004657	05APR2017	RS	MZ



VIEW A-A  
 RECOMMENDED PC BOARD LAYOUT



RECOMMENDED  
 PANEL CUTOUT

- 1 CONTACT CAVITIES IDENTIFIED BY CHARACTERS ON FRONT AND REAR FACES OF CONNECTOR.
- 2 #6 FASTENER RECOMMENDED FOR MOUNTING.
- 3 CONTACT BODY: .000030 MIN GOLD FOR A LENGTH OF .250 MIN FROM MATING END, WITH REMAINDER TO BE GOLD FLASH, BOTH OVER .000050 MIN NICKEL.  
 CONTACT POST: .000100 MIN TIN-LEAD OVER .000100 MIN COPPER.
- 4 PC BOARD HOLE PATTERN IS DEFINED RELATIVE TO CONNECTOR C.L. AND PANEL MOUNTING FACE INDICATED.
- 5 CONTACT BODY: .000030 MIN GOLD FOR A LENGTH OF .250 MIN FROM MATING END, WITH REMAINDER TO BE GOLD FLASH, BOTH OVER .000050 MIN NICKEL.  
 CONTACT POST: .000100 MIN TIN OVER .000100 MIN COPPER.
- 6 CONTACT BODY AND POST PLATED TIN OVER NICKEL

OBsolete	YES	6	1-796404-2
	NO	5	1-796404-1
OBsolete	YES	3	-796404-2
	NO	3	796404-1
	PERIPHERAL SEAL	CONTACT FINISH	PART NUMBER

THIS DRAWING IS A CONTROLLED DOCUMENT.		DWN	4-5-00		
		CHK	4-6-00		
		APVD	4-6-00		
		PRODUCT SPEC			
DIMENSIONS: INCHES		TOLERANCES UNLESS OTHERWISE SPECIFIED:		NAME	
		0 PLC ± - 1 PLC ± - 2 PLC ± .03 3 PLC ± .010 4 PLC ± - ANGLES ± - FINISH		RECEPTACLE ASSY, POSTED, RT ANGLE, STD SEX, SIZE 17-16, SERIES 1, CPC	
MATERIAL		FINISH		SIZE	RESTRICTED TO
				A2	
				CAGE CODE	DRAWING NO
				00779	796404
CUSTOMER DRAWING		SCALE		SHEET	REV
		2:1		1 of 1	D