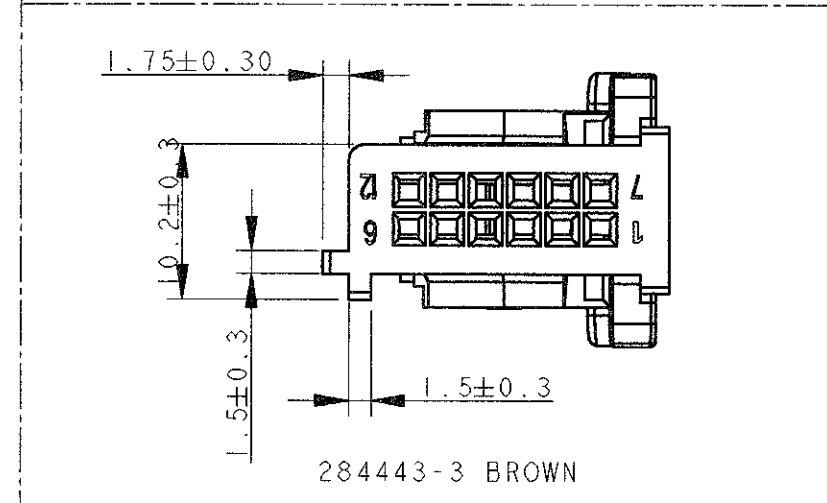
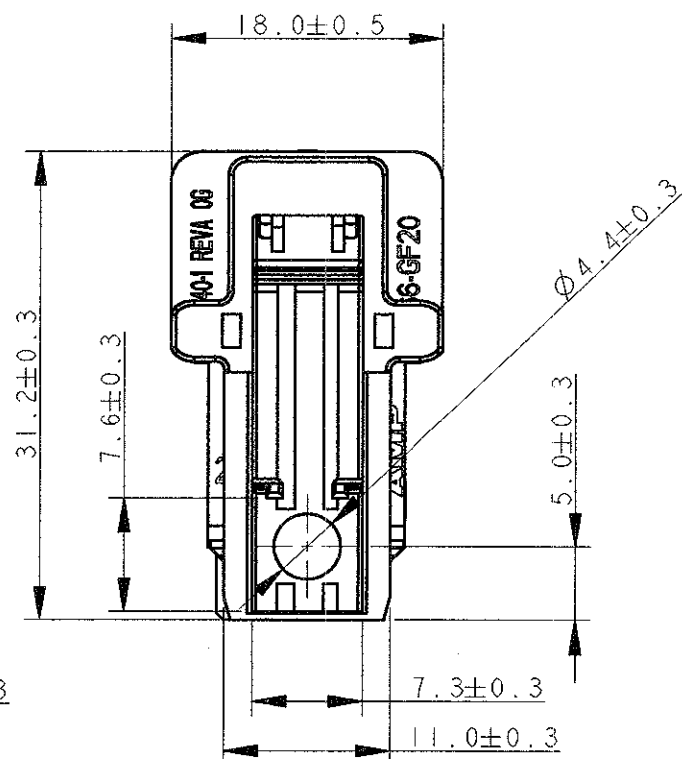
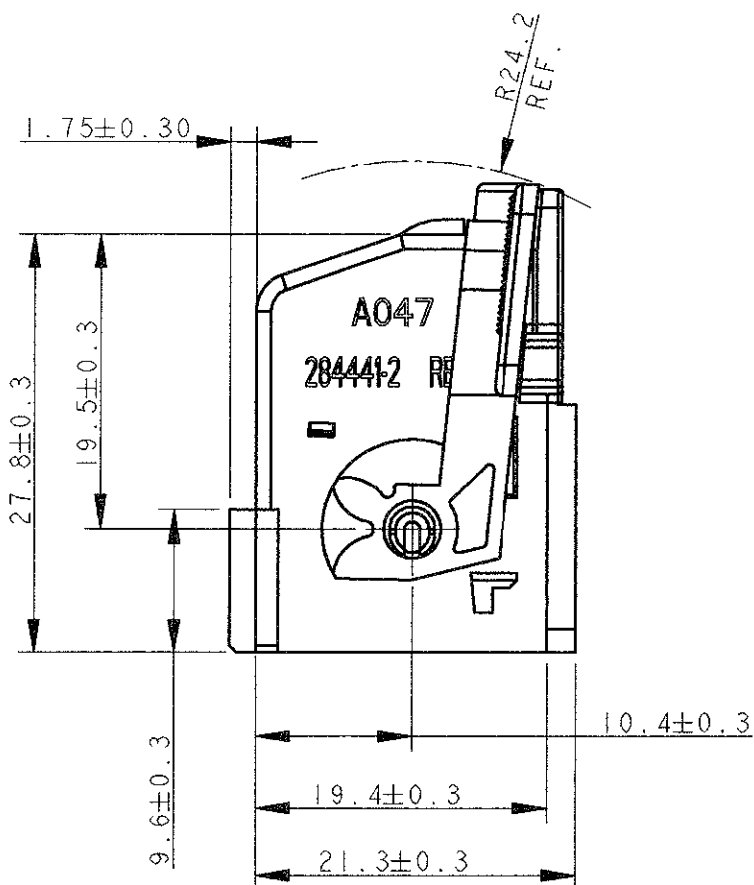
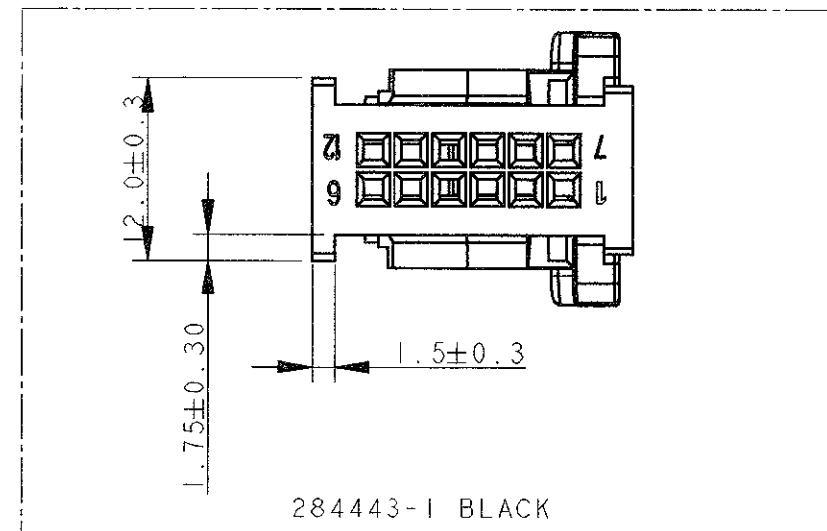
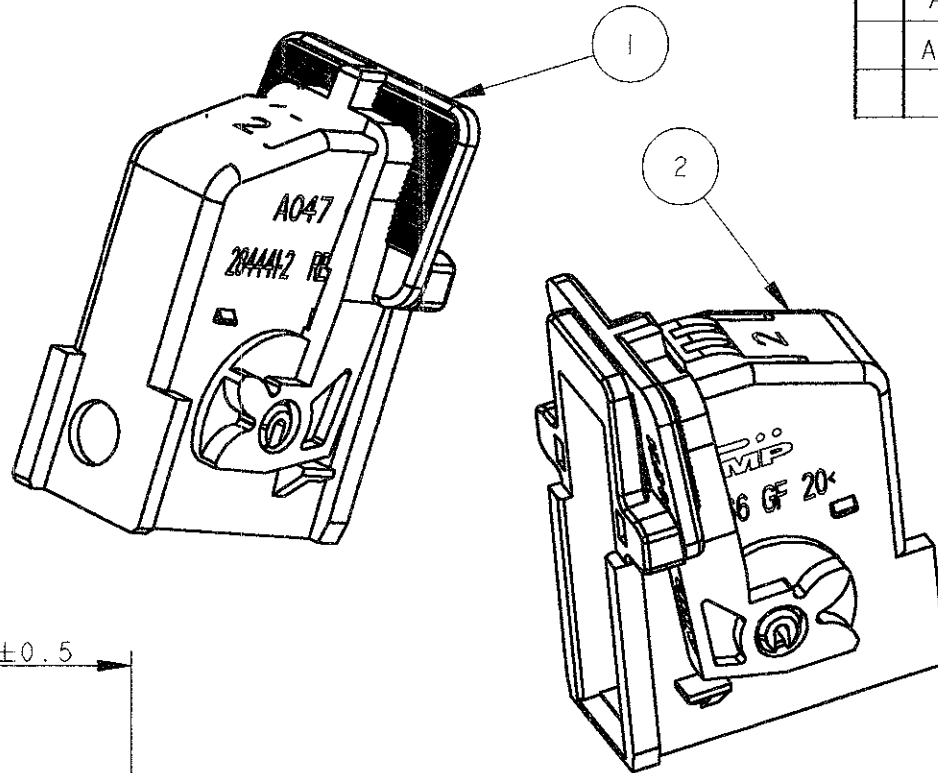
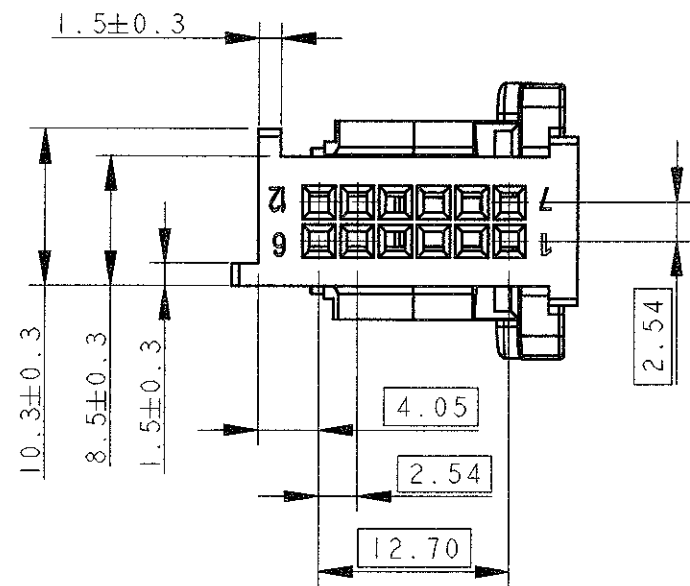


LOC	DIST	REVISIONS					
		P	LTR	DESCRIPTION	DATE	DWN	APVD
		0		FIRST ISSUE	17SEP99	M.P.	R.M.
		A		REVISED FOR ET00-0404-99	05APR00	M.P.	R.M.
		AI		RELEASED FOR PROD. ET00-0069-01	8 OCT '01	A.P.	R.M.



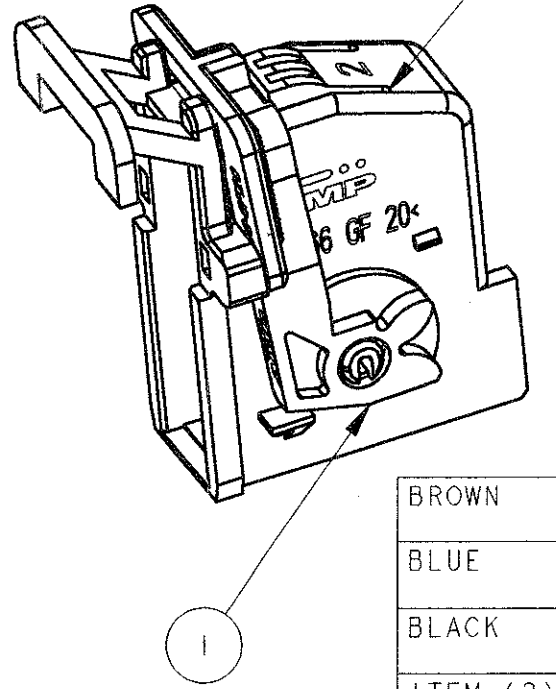
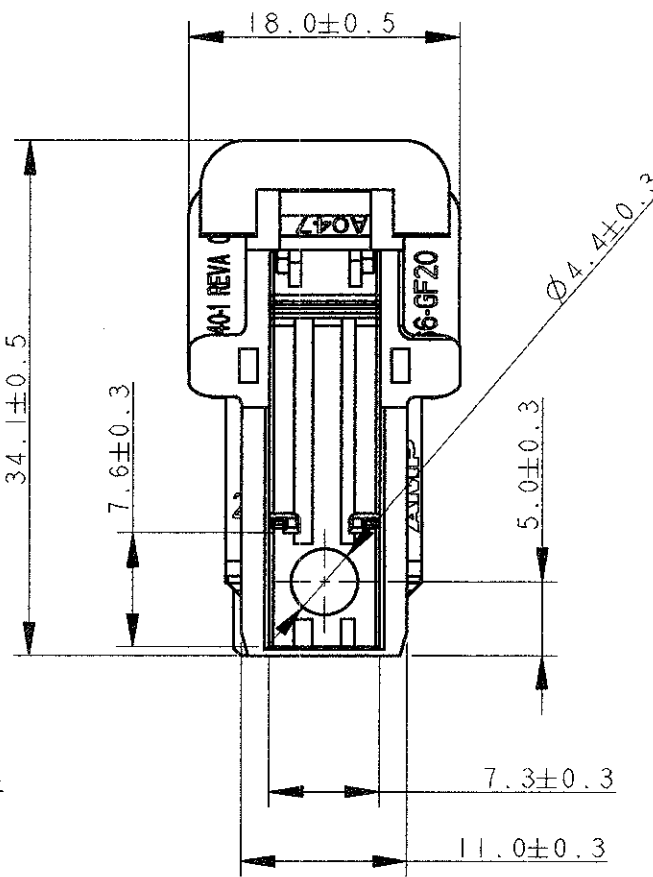
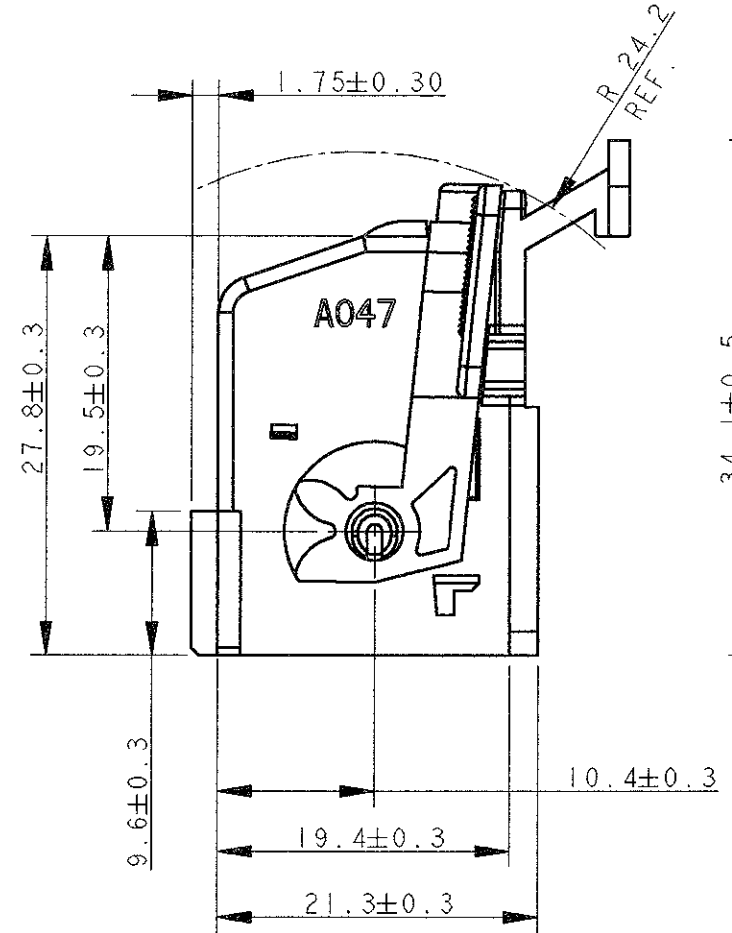
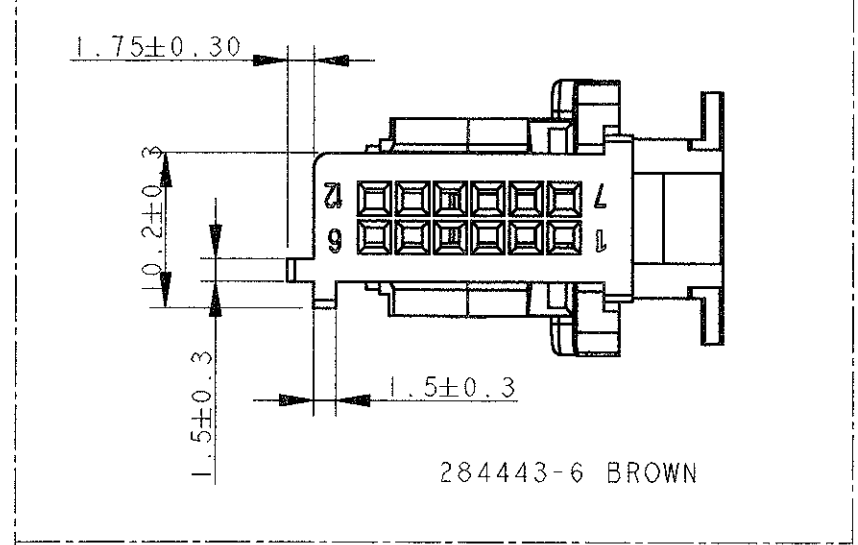
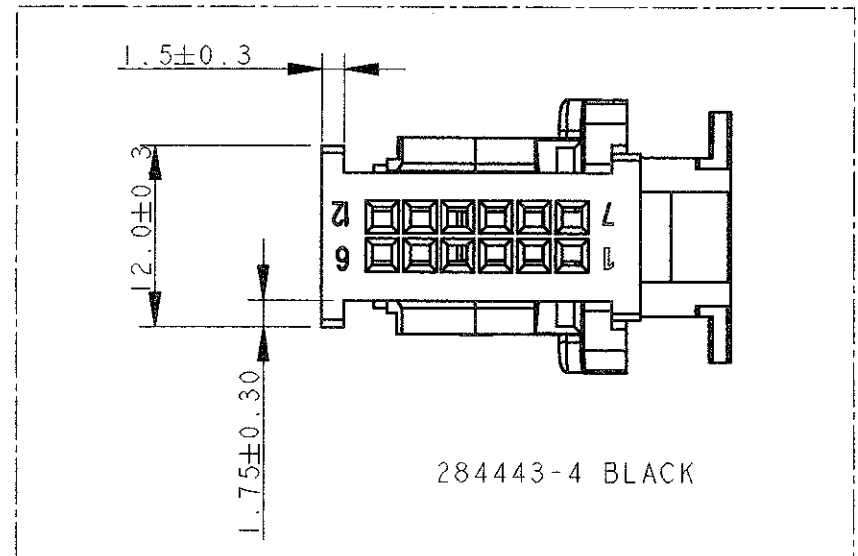
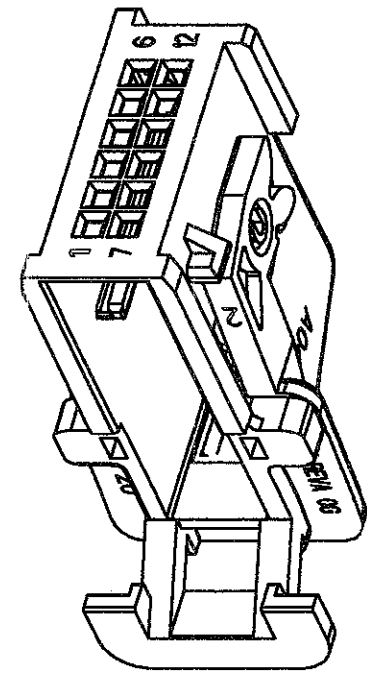
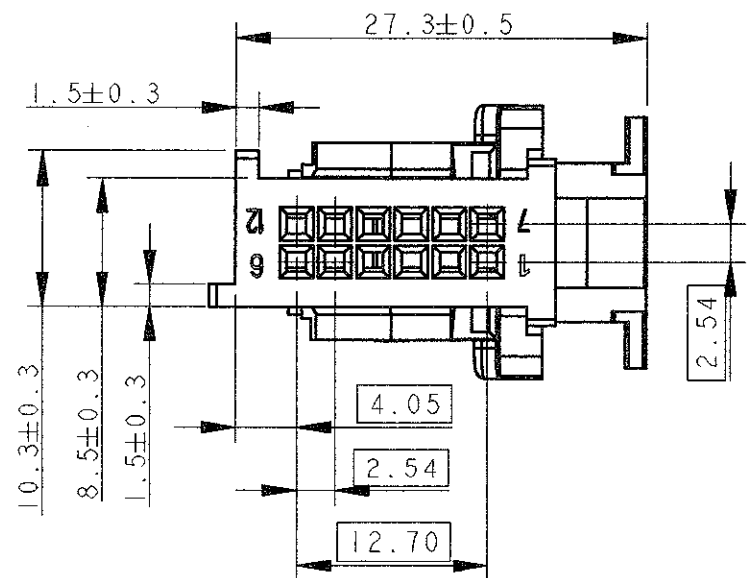
284443-2 BLUE, AS SHOWN

- 1) MATERIAL: PA 66 GF FILLED
- 2) COVER PLUS LEVER SUITABLE FOR PLUG HOUSING P/N 284442-1
- 3) FOR COUNTERPART DETAILS SEE 208-15544.

BROWN	BLACK	A	284443-3
BLUE	BLACK	A	284443-2
BLACK	BLACK	A	284443-1
ITEM (2) COVER COLOUR	ITEM (1) LEVER COLOUR	ASSY REV	ASSY P/N

DIMENSIONS:		TOLERANCES UNLESS OTHERWISE SPECIFIED:		DWN		AMP	
mm		0 PLC	±0.3	M. PALMA	17SEPT'99	AMP Italia S.p.A.	
		1 PLC	±0.3	R. MARTINI	17SEPT'99	C.so F.lli Cervi 15 Collegno (TO)	
		2 PLC	±	A. GENTA	17SEPT'99	NAME	
		3 PLC	±	PRODUCT SPEC		COVER + LEVER FOR 12 POSITION	
		4 PLC	±	APPLICATION SPEC		MICRO QUADLOK SYSTEM	
		ANGLES	±2	411-15565		PLUG HOUSING	
MATERIAL	NOTE 1)	FINISH	-	WEIGHT	3.3 g	SIZE	A3
				CUSTOMER DRAWING		CAGE CODE	00779
						DRAWING NO	C=284443
						SCALE	1:1
						SHEET	1 OF 2
						REV	AI

LOC	DIST	REVISIONS			
P	LTR	DESCRIPTION	DATE	DWN	APVD
		SEE SHEET 1 OF 2			



BROWN	BLACK	SEE NOTE 3)	A	284443-6
BLUE	BLACK	SEE NOTE 3)	A	284443-5
BLACK	BLACK	SEE NOTE 3)	A	284443-4
ITEM (2) COVER COLOUR	ITEM (1) LEVER COLOUR	NOTES	ASSY REV.	ASSY P/N

284443-5 BLUE, AS SHOWN

- 1) MATERIAL: PA 66 GF. FILLED
- 2) COVER PLUS LEVER SUITABLE FOR PLUG HOUSING P/N 284442-1
- 3) SAME AS -1, -2, -3, BUT PROVIDED WITH CABLE TIE SEAT
- 4) FOR COUNTERPART DETAILS SEE 208-15544.

<small>THIS DRAWING IS A CONTROLLED DOCUMENT FOR AMP INCORPORATED. IT IS SUBJECT TO CHANGE AND THE CONTROLLING ENGINEERING ORGANIZATION SHOULD BE CONTACTED FOR THE LATEST REVISION.</small>		DWN <i>Palma</i> 17SEPT'99 M. PALMA CHK R. MARTINI 17SEPT'99 APVD A. GENTA 17SEPT'99	AMP Italia S.p.A. C.so F.lli Cervi 15 Collegno (TO)
DIMENSIONS: mm	TOLERANCES UNLESS OTHERWISE SPECIFIED: 0 PLC ±0.3 1 PLC ±0.3 2 PLC ±. 3 PLC ±. 4 PLC ±. ANGLES ±2 FINISH -	PRODUCT SPEC 108-20222 APPLICATION SPEC 411-15565 WEIGHT 3.8 g	NAME COVER + LEVER FOR 12 POSITION MICRO QUADLOK SYSTEM PLUG HOUSING SIZE A3 CAGE CODE 00779 DRAWING NO ©=284443
MATERIAL NOTE 1)		CUSTOMER DRAWING	SCALE 2:1 SHEET 2 OF 2 REV A1