

# TF ATO® STYLE BLADE FUSE RATED 90V

RoHS

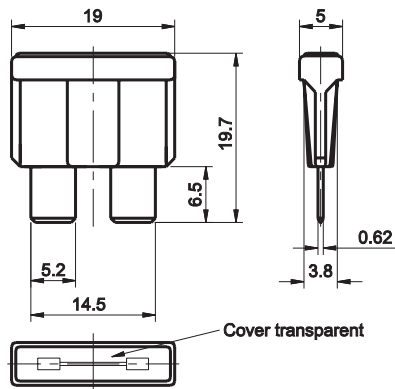


## Description

The TF is an ATO® style blade fuse rated at 90V, featuring a three part construction with copper contacts for excellent reliability in harsh environment conditions and low voltage drop. With see-through cover for easy detection of blown fuses. The fuses were defined over the I<sup>2</sup>t value, not via t/c curve requirements.

## Dimensions

Dimensions in mm



## Specifications

Insulating Body:	Out of thermoplastic (UL 94-V0, heat-resistant)
Cover:	Out of thermoplastic (UL 94-V0, heat-resistant)
	Visible melting element
Terminals:	Blade contacts
	Copper alloy, gal. Sn
	Edge-protected
Test cable:	4 mm <sup>2</sup>

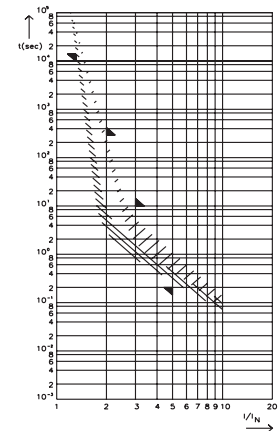
## Ordering Information

Part Number	Package Size
162.7049.xxx2	2000

## Time-Current Characteristics

% of Rating	Opening Time Min / Max (s)
110	14,400 s / -
200 (4A & 8A only)	- / 300 s
300	- / 10 s
500	0.20 s / -

## Pre-arcing Time-limits



## Ratings

Part Number	Current Rating	Housing Color	Typ. Voltage Drop	Cold Resistance	I <sup>2</sup> t
162.7049.4402	4 A	Blue	115 mV	19.4 Ω	> 100 A <sup>2</sup> s
162.7049.4802	8 A	White	80 mV	7.50 Ω	> 300 A <sup>2</sup> s
162.7049.5102	10 A	Orange	70 mV	6.10 Ω	> 580 A <sup>2</sup> s
162.7049.5152	15 A	Green	65 mV	3.50 Ω	> 1,700 A <sup>2</sup> s

Remark: TF-fuse links are back-up fuse links, see minimum fault current. Corresponding holder see Section "Fuse Holders."