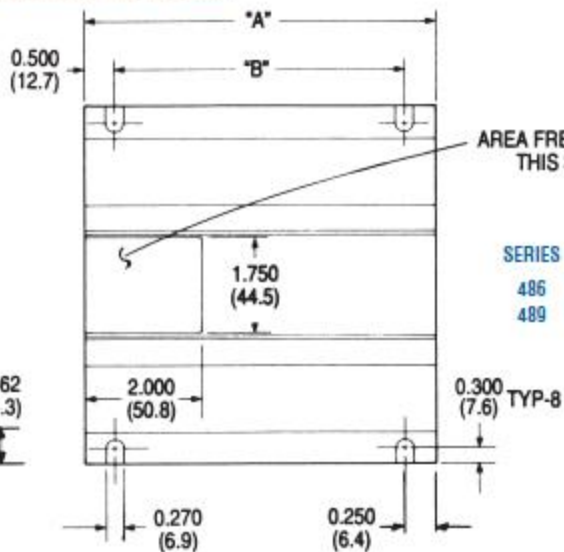
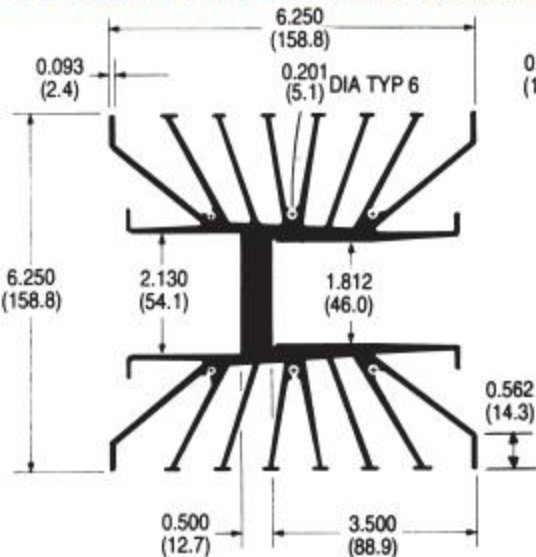


wakefield-vette

Standard P/N	Width in. (mm)	Nominal Dimensions		Hex Style Type	Mounting Hole Pattern	Thermal Performance at Typical Load		Weight lbs. (grams)
		Length in. (mm)	Height in. (mm)			Natural Convection	Forced Convection	
486K	6.250 (158.8)	6.000 (152.4)	6.250 (158.8)	1.750 in. Hex	None	24°C @ 50W 86°C @ 250W	0.20°C/W @ 250 LFM 0.13°C/W @ 500 LFM	4.2100 (1909.66)
489K	6.250 (158.8)	9.000 (228.6)	6.250 (158.8)	1.750 in. Hex	None	19°C @ 50W 75°C @ 250W	0.15°C/W @ 250 LFM 0.10°C/W @ 500 LFM	6.1400 (2785.10)

MECHANICAL DIMENSIONS 486 AND 489 SERIES (EXTRUSION PROFILE 1541)



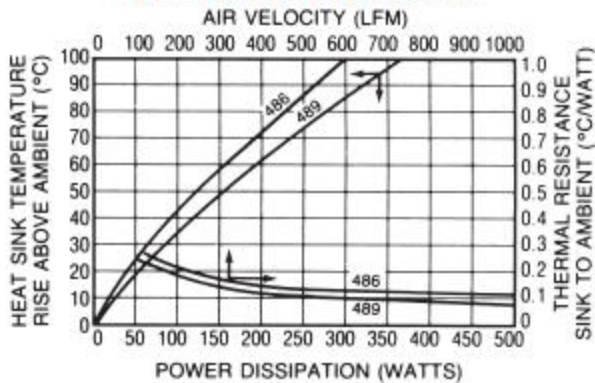
AREA FREE OF ANODIZE THIS SIDE ONLY

SERIES	"A"	"B"
486	6.000 (152.4)	5.000 (127.0)
489	9.000 (228.6)	8.000 (203.2)

SEMICONDUCTOR MOUNTING HOLE



NATURAL AND FORCED CONVECTION CHARACTERISTICS



Dimensions: in. (mm)