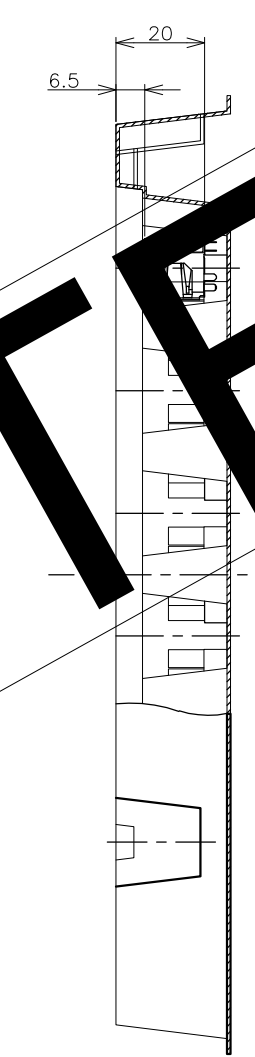
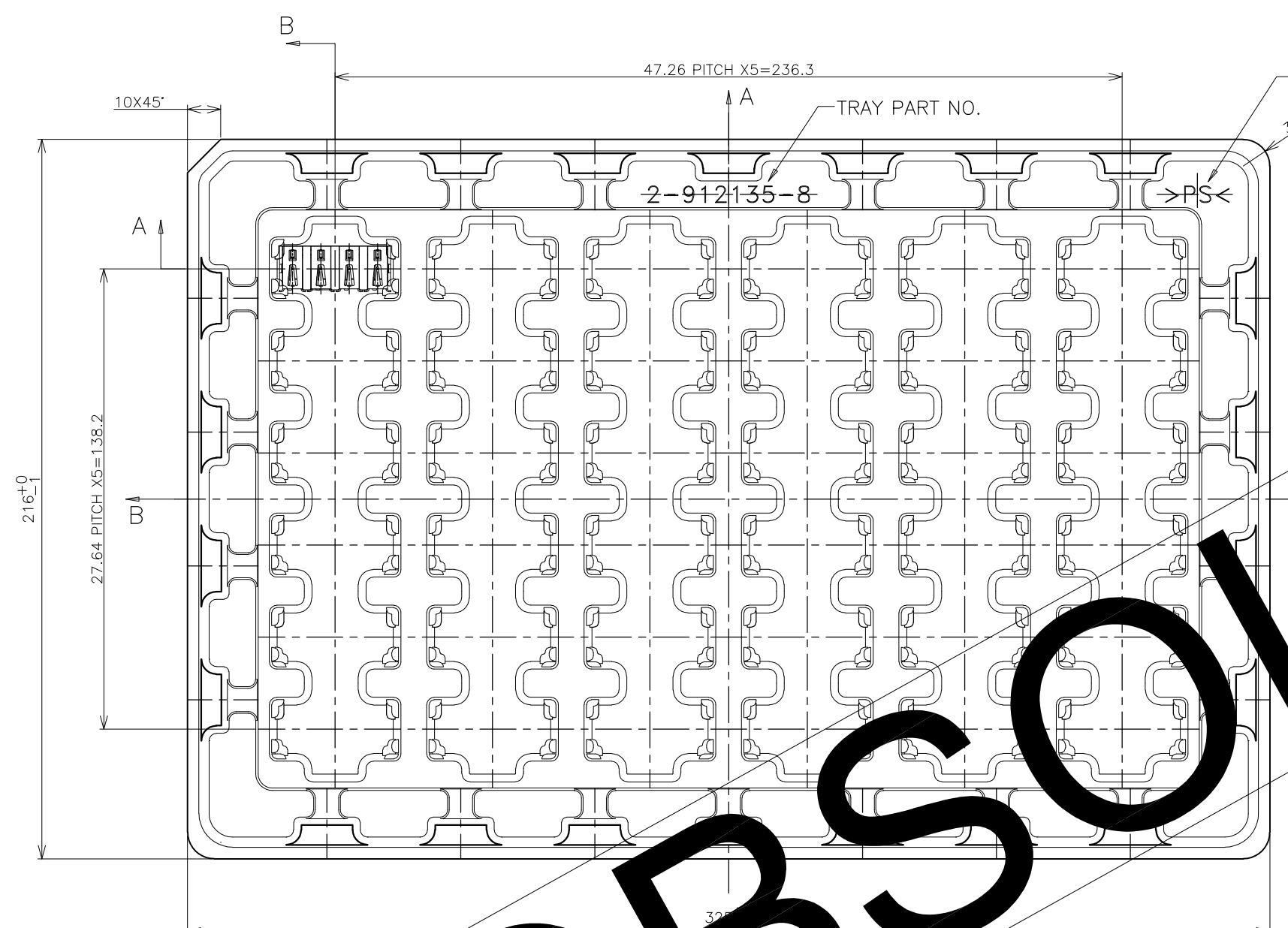
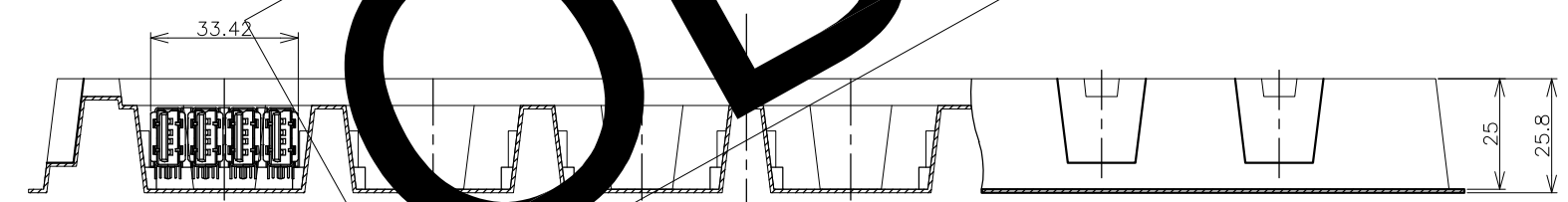


THIS DRAWING IS UNPUBLISHED. RELEASED FOR PUBLICATION
 © COPYRIGHT 2004 BY TYCO ELECTRONICS CORPORATION. ALL RIGHTS RESERVED.

LOC	DIST	REVISIONS					
J	—	P	LTR	DESCRIPTION	DATE	DWN	APVD
		A		ECR-15-009556	23SEP2015	B.L	H.W



SECTION B-B



SECTION A-A

OBSOLETE

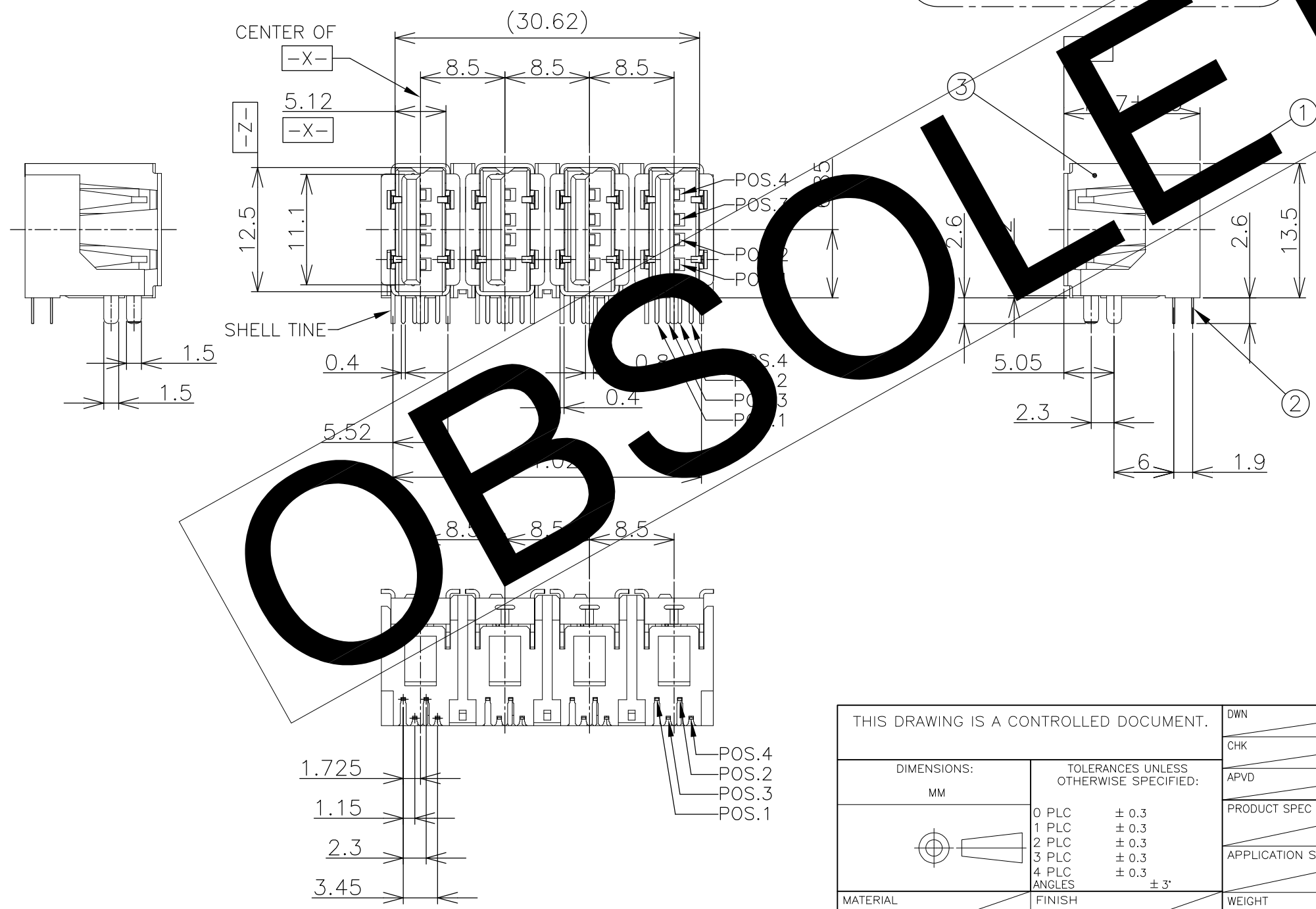
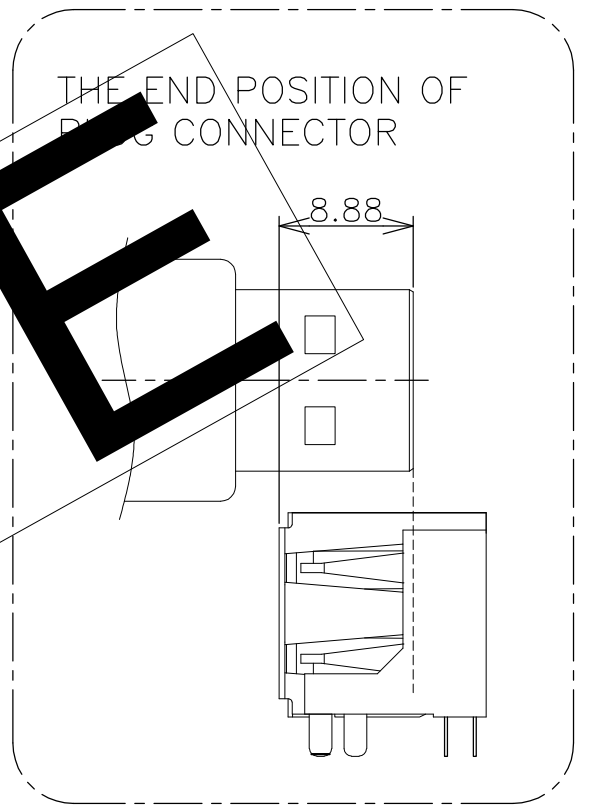
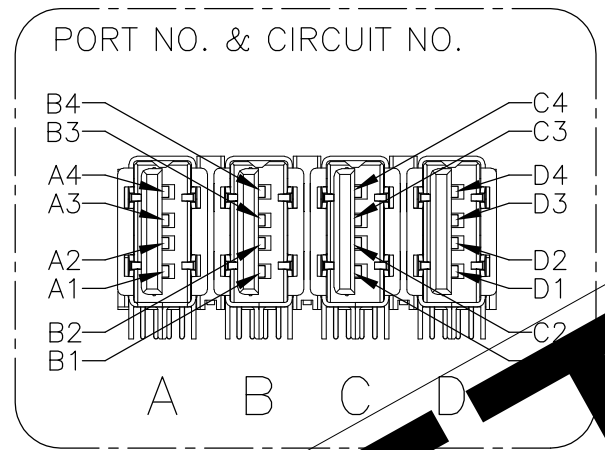
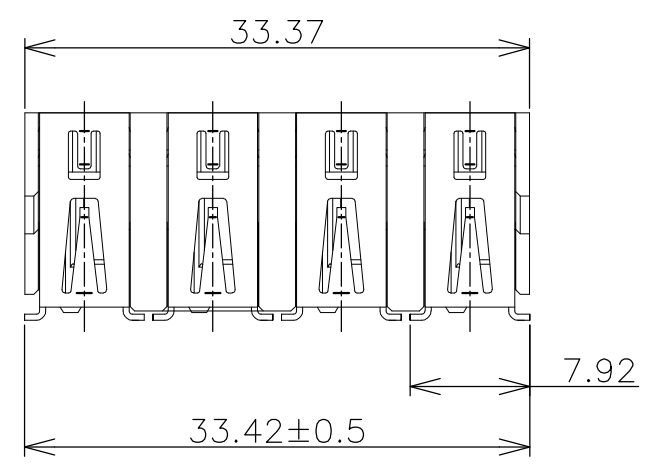
	1674454-4
FINISH	PART NO.

THIS DRAWING IS A CONTROLLED DOCUMENT.		DWN	WENKE HE	19JUL05	Tyco Electronics AMP K.K.			
		CHK	GAVIN ZHANG	19JUL05	Kawasaki, Japan			
		APVD	STEVEN YAO	19JUL05	NAME			
		PRODUCT SPEC			HARD TRAY ASS'Y			
		APPLICATION SPEC			USB CONNECTOR			
		WEIGHT			REC 4P			
DIMENSIONS: MM		TOLERANCES UNLESS OTHERWISE SPECIFIED:			SIZE	CAGE CODE	DRAWING NO	RESTRICTED TO
<ul style="list-style-type: none"> 0 PLC ± 0.3 1 PLC ± 0.3 2 PLC ± 0.3 3 PLC ± 0.3 4 PLC ± 0.3 ANGLES ± 3' 					A3	00779	C-1674454	
MATERIAL		FINISH			CUSTOMER DRAWING			SCALE 2:1
					SHEET 1 OF 3		REV A	

THIS DRAWING IS UNPUBLISHED. RELEASED FOR PUBLICATION
 © COPYRIGHT 2004 BY TYCO ELECTRONICS CORPORATION. ALL RIGHTS RESERVED.

LOC	DIST	REVISIONS					
J	/	P	LTR	DESCRIPTION	DATE	DWN	APVD
		-		SEE SHEET 1	-	-	-

FRONT SHELL	③
CONTACT	②
HOUSING	①
NAME	ITEM No.



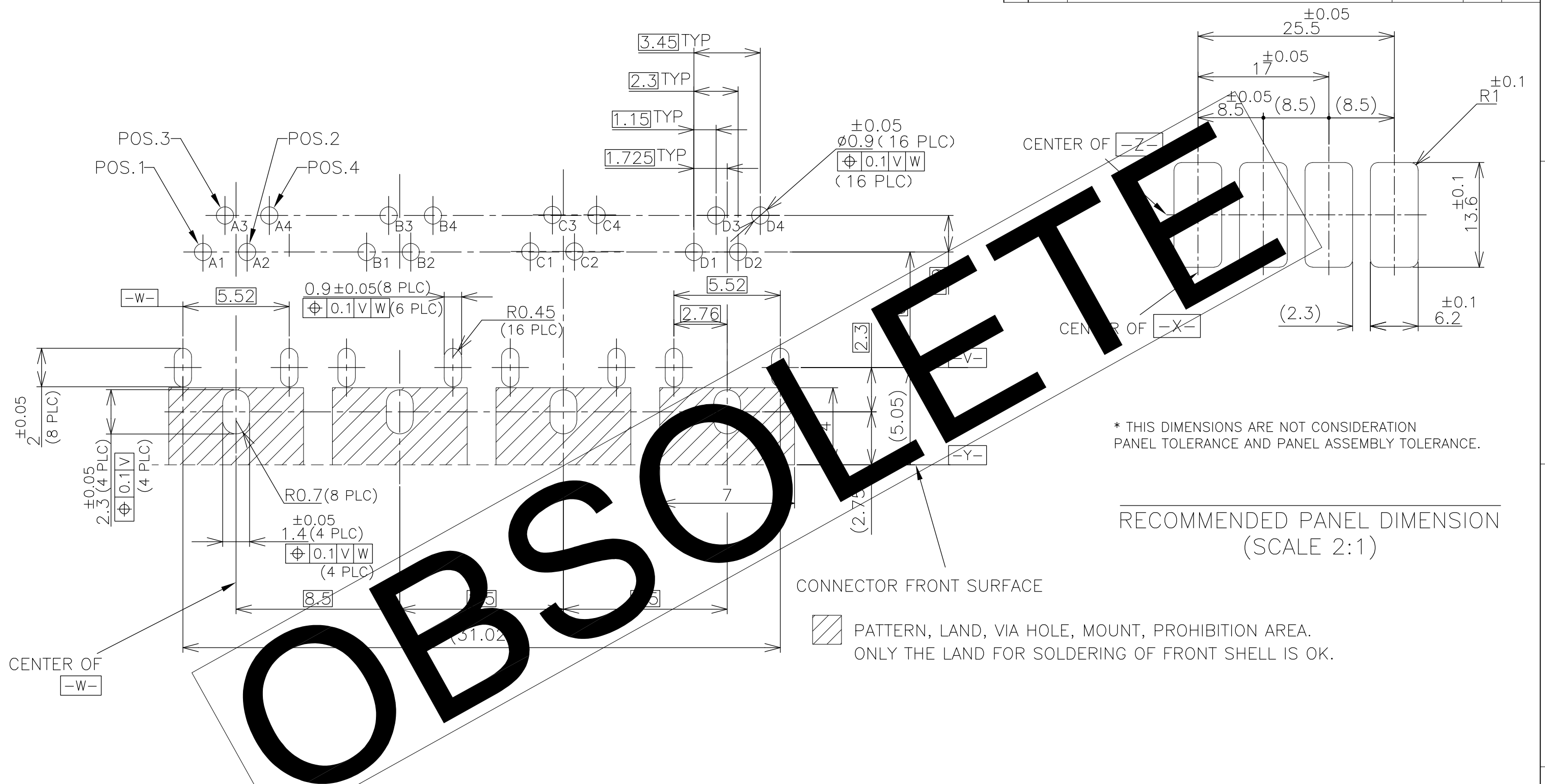
OBSOLETE

- ① MATERIAL
 HOUSING: THERMO-PLASTICS UL94V-0 NATURAL
 CONTACT: COPPER ALLOY
 FRONT SHELL: COPPER ALLOY
- ② FINISH
 CONTACT: NICKEL UNDER PLATE ALL OVER.
 CONTACT AREA: GOLD PLATE
 TINE AREA: TIN PLATE
 FRONT SHELL: TIN PLATE

THIS DRAWING IS A CONTROLLED DOCUMENT.		DWN		Tyco Electronics AMP K.K. Kawasaki, Japan	
DIMENSIONS: MM		CHK			
		APVD		NAME	
		PRODUCT SPEC		HARD TRAY ASS'Y USB CONNECTOR REC 4P	
MATERIAL		APPLICATION SPEC		SIZE	CAGE CODE
FINISH		WEIGHT		DRAWING NO	
TOLERANCES UNLESS OTHERWISE SPECIFIED:		CUSTOMER DRAWING		RESTRICTED TO	
0 PLC	± 0.3	SCALE 2:1		SHEET 2 OF 3	
1 PLC	± 0.3	REV A			
2 PLC	± 0.3				
3 PLC	± 0.3				
4 PLC	± 0.3				
ANGLES	± 3'				

THIS DRAWING IS UNPUBLISHED. RELEASED FOR PUBLICATION
 © COPYRIGHT 2004 BY TYCO ELECTRONICS CORPORATION. ALL RIGHTS RESERVED.

LOC J	DIST /	REVISIONS		
P	LTR	DESCRIPTION	DATE	DWN APVD
		SEE SHEET 1		



RECOMMENDED LAYOUT OF P.C.B.
 (CONNECTOR MOUNTING SIDE)
 RECOMMENDED THICKNESS: 1.0~1.6mm

THIS DRAWING IS A CONTROLLED DOCUMENT.		DWN
DIMENSIONS: MM		CHK
TOLERANCES UNLESS OTHERWISE SPECIFIED:		APVD
0 PLC	± 0.3	PRODUCT SPEC
1 PLC	± 0.3	APPLICATION SPEC
2 PLC	± 0.3	WEIGHT
3 PLC	± 0.3	CUSTOMER DRAWING
4 PLC	± 0.3	SCALE 5:1
ANGLES	± 3°	SHEET 3 OF 3
MATERIAL	FINISH	REV A

Tyco Electronics		Tyco Electronics AMP K.K. Kawasaki, Japan	
NAME		HARD TRAY ASS'Y USB CONNECTOR REC 4P	
SIZE	CAGE CODE	DRAWING NO	RESTRICTED TO
A3	00779	C-1674454	