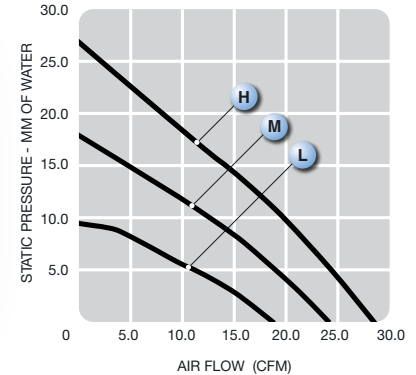
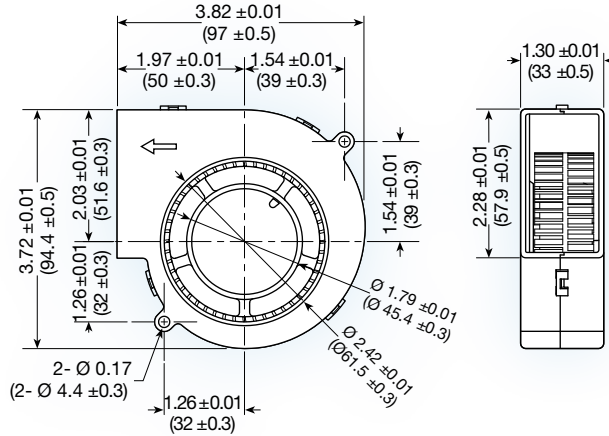


# MXB9733 series



**(97 x 94.4 x 33 mm)**  
3.82 x 3.72 x 1.30 inches

Construction:	UL94V-0 PBT impeller & frame
Bearing option:	ball bearing
Connection:	AWG 24, UL1007 lead wires
Protection:	thermal
Options:	tachometer output signal

Model No.	Rated Voltage V	Current mA			Speed RPM	Air Volume		Max. Static Pressure (H <sub>2</sub> O)		Sound Noise dbA	Weight g
		12	24	48		M <sup>3</sup> /Min.	CFM	MM	INCH		
MXB9733L	12/24/48	300	200	150	2,200	0.53	18.80	9.40	0.37	41	180
MXB9733M	12/24/48	500	350	200	2,800	0.68	24.00	17.80	0.70	51	180
MXB9733H	12/24/48	800	550	300	3,300	0.81	28.50	26.80	1.06	55	180