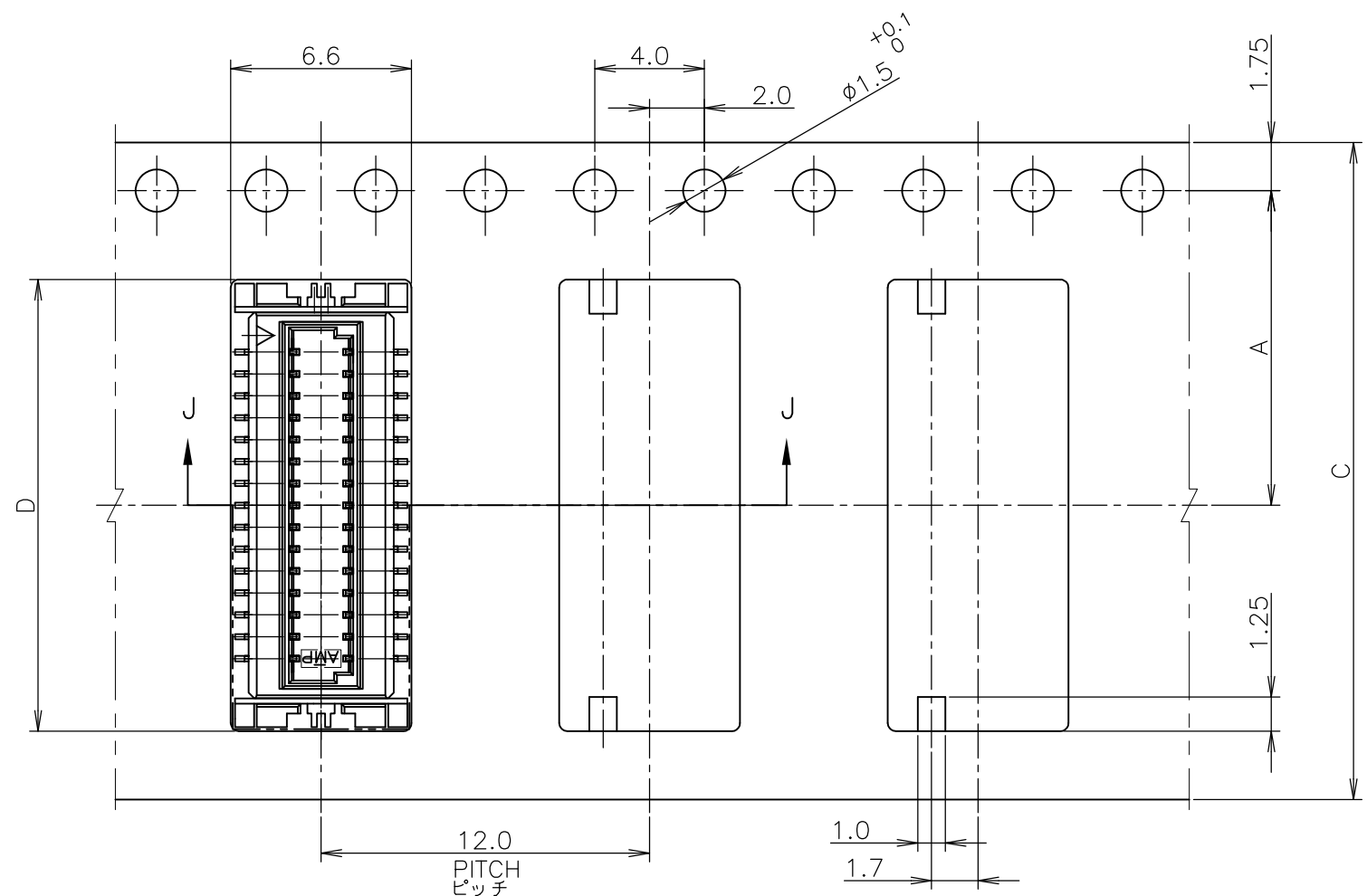
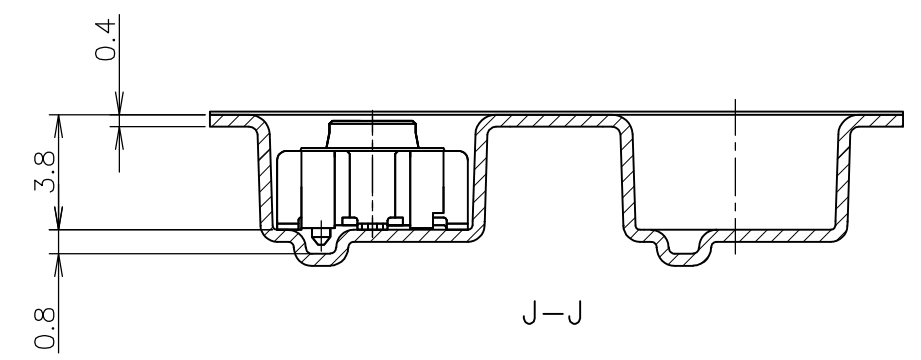


THIS DRAWING IS UNPUBLISHED. RELEASED FOR PUBLICATION DEC ,2004.  
 © COPYRIGHT 2004 By - ALL RIGHTS RESERVED.

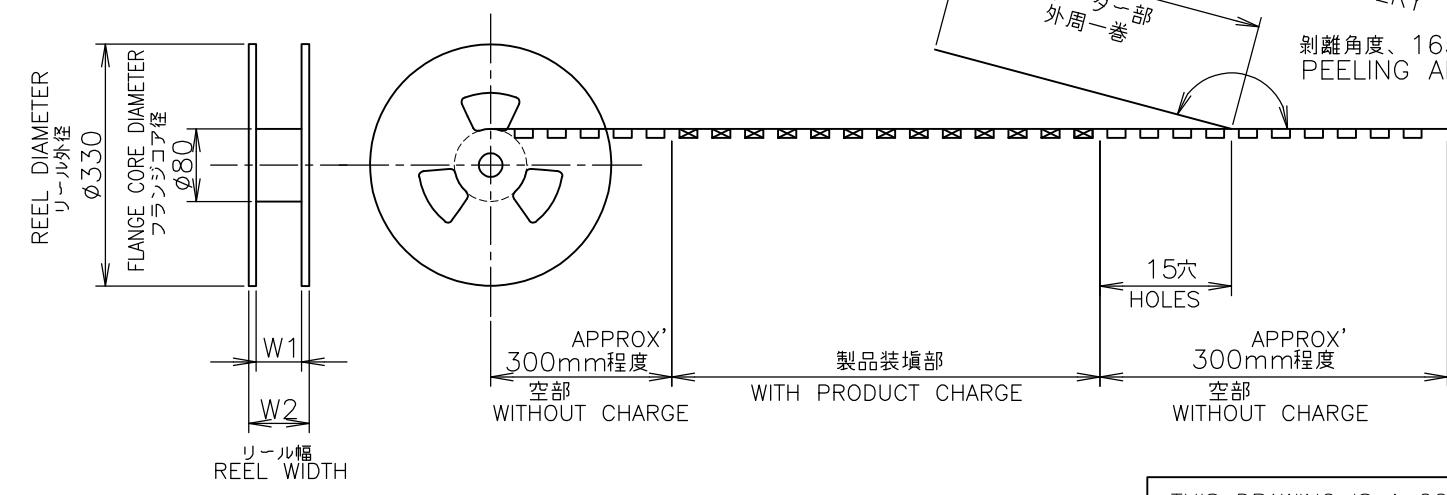
LOC	DIST	REVISIONS			DATE	DWN	APVD
		P	LTR	DESCRIPTION			
J		A	RELEASED	ECR-12-002087	02FEB12	I.T	S.Y



TOP OF REEL  
引出し方向



WEEDING THE COVER TAPE AROUND THE OUTER PERIPHERY IN A TURN.  
 カバーテープ リーダー部 外周一卷  
 剥離角度、165°~180°  
 PEELING ANGLE.



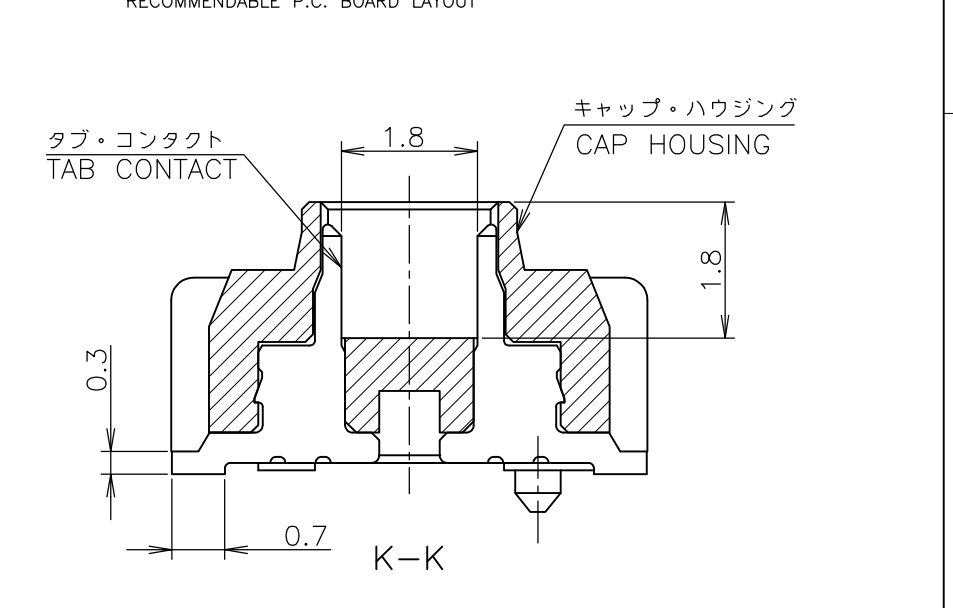
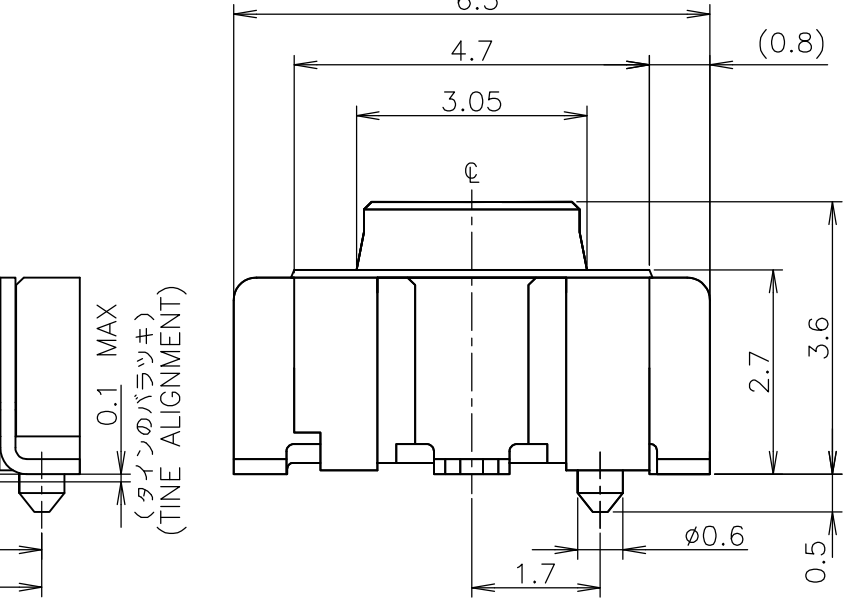
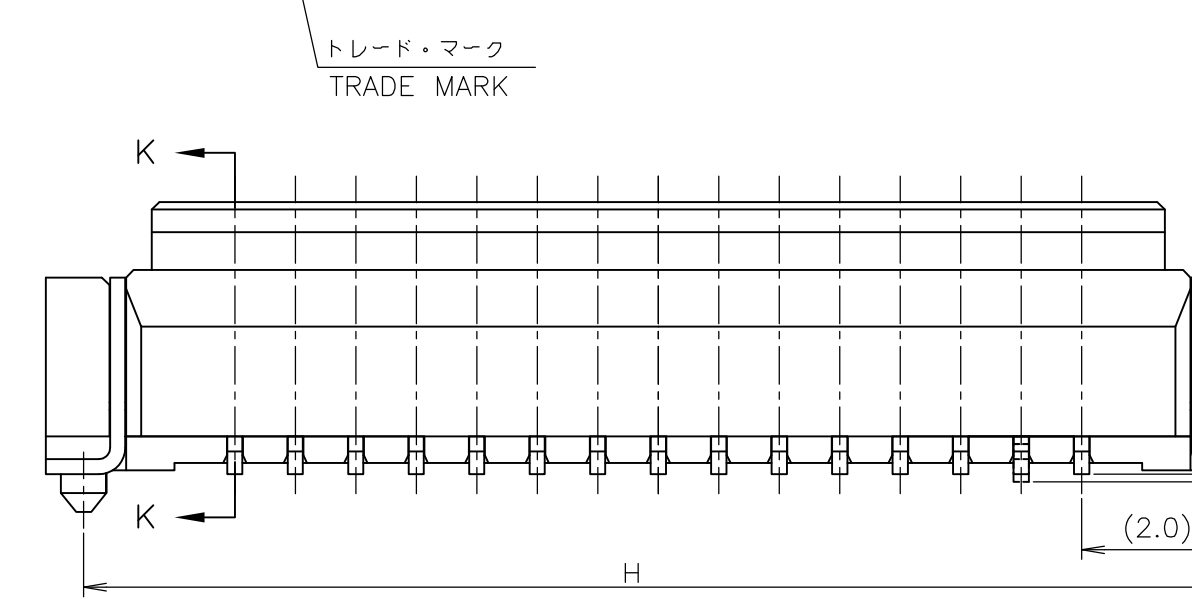
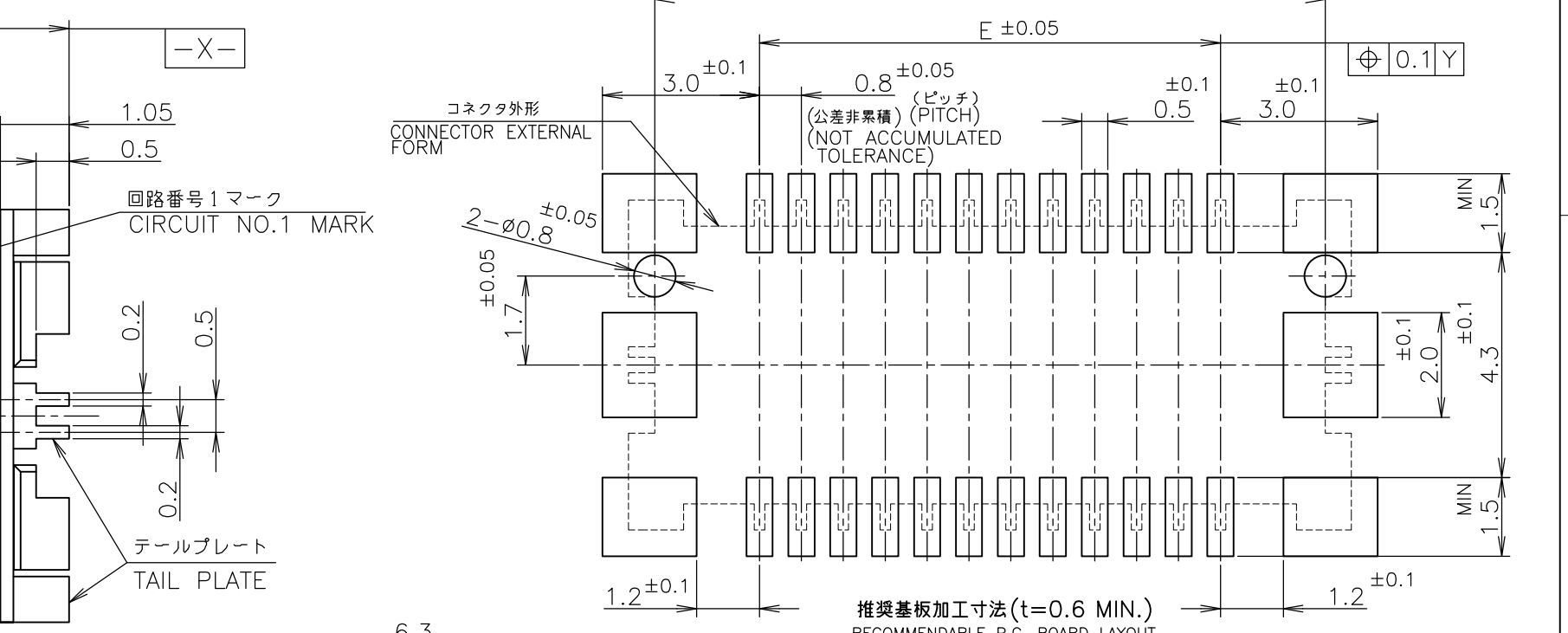
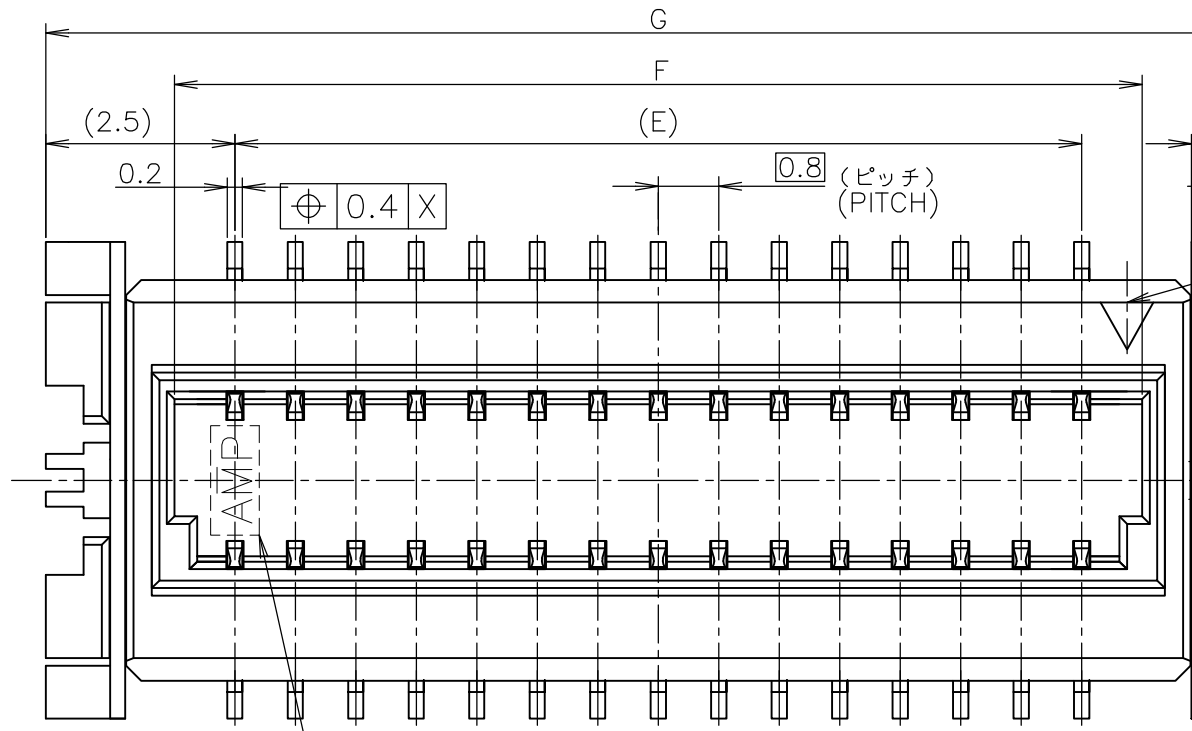
INSTRUCTION SHEET 取扱説明書	411-5654	DIMENSIONS					数量 (ヶ) QTY/REEL	極数 POS	リール巻 コネクタ型番 TAPING P/N
OBsolete		22.4	16.4	9.3	16	7.5	900	12	1-6376826-2
		29.5	25.5	16.5	24	11.5	900	30	3-6376826-0

THIS DRAWING IS A CONTROLLED DOCUMENT.

DIMENSIONS: 単位: 耗 mm	TOLERANCES UNLESS OTHERWISE SPECIFIED: 一般公差	DWN M.IWASAKI 27DEC04	<b>STE</b> TE Connectivity	
	0 PLC ± 0.2 1 PLC ± 0.2 2 PLC ± 0.2 3 PLC ± 0.2 4 PLC ± 0.2 ANGLES ± 3'	CHK Y.NAKAZAWA 27DEC04		
MATERIAL 材料	FINISH 仕上	APVD T.KUSUHARA 27DEC04	NAME 名称 エンボス詰 キャップ・アッセンブリ (ボス付) ON TAPING EMBOSS CAP ASSEMBLY WITH BOSS	
		PRODUCT SPEC 製品規格 108-5424	0.8mm PITCH FINE STACK CONNECTOR MATING HEIGHT 4.2mm	
		APPLICATION SPEC 取付適用規格	SIZE A3	CAGE CODE 00779
		WEIGHT	DRAWING NO 番号 C-6376826	
CUSTOMER DRAWING			RESTRICTED TO	
			SCALE 尺度 4:1	SHEET 1 OF 3
			REV A	

LOC	DIST	REVISIONS					
J		P	LTR	DESCRIPTION	DATE	DWN	APVD
		-		SEE SHEET 1	-	-	-

本図：コネクタ図  
 AS SHOWN: CONNECTOR DWG



△ 材料：ハウジング - 6T NYLON (高耐熱性ナイロン)  
 ガラス30%, 色：ベージュ  
 コンタクト - 燐青銅・錫めっき (0.2t)  
 テールプレート - 燐青銅・錫めっき (0.2t)

△ MATERIAL: HOUSING - 6T NYLON (HIGH HEAT-RESISTED NYLON), GF30%,  
 COLOR: BEIGE.  
 CONTACT - POST-TIN/PHOS-BROZ (0.2t)  
 TAIL PLATE - POST-TIN/PHOS-BROZ (0.2t)

	-	8	9	5.6	4	12	1-6376826-2
OBSOLETE	0.49	15.2	16.2	12.8	11.2	30	3-6376826-0
	重量(g) WEIGHT	H	G	F	E	極数 POS.	型番 PART NO.

THIS DRAWING IS A CONTROLLED DOCUMENT.

DIMENSIONS: 単位: 概 mm	TOLERANCES UNLESS OTHERWISE SPECIFIED: 一般公差	DWN	<b>STE</b> TE Connectivity			
	0 PLC ± 0.2	CHK	NAME 名称			
	1 PLC ± 0.2	APVD	エンボス詰 キャップ・アッセンブリ (ボス付) ON TAPING EMBOSS CAP ASSEMBLY WITH BOSS			
	2 PLC ± 0.2	PRODUCT SPEC	製品規格 108-5424			
	3 PLC ± 0.2	APPLICATION SPEC	取付適用規格			
MATERIAL 材料	FINISH 仕上	WEIGHT	SIZE	CAGE CODE	DRAWING NO 番号	RESTRICTED TO
△	△		A3	00779	G-6376826	
CUSTOMER DRAWING			SCALE 尺度	SHEET	REV	
			10:1	2 OF 3	A	

THIS DRAWING IS UNPUBLISHED.

RELEASED FOR PUBLICATION DEC ,2004.

© COPYRIGHT 2004 By -

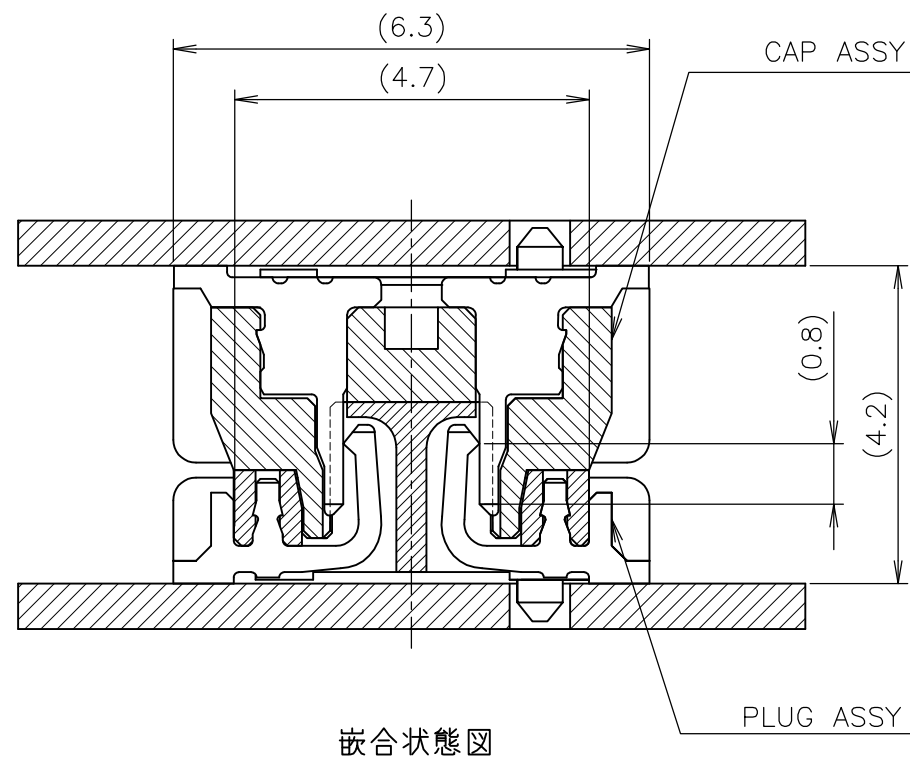
ALL RIGHTS RESERVED.

LOC J DIST

REVISIONS  
変更

P	LTR	DESCRIPTION	DATE	DWN	APVD
-	-	SEE SHEET 1	-	-	-

0.8mm PITCH FINE STACK CONNECTOR  
(MATING HEIGHT 4.2mm)



嵌合状態図

THIS DRAWING IS A CONTROLLED DOCUMENT.		DWN	<b>STE</b> TE Connectivity		
DIMENSIONS: 単位: 耗 mm		CHK			
TOLERANCES UNLESS OTHERWISE SPECIFIED: 一般公差		APVD	NAME 名称 エンボス詰 キャップ・アッセンブリ (ボス付) ON TAPING EMBOSS CAP ASSEMBLY WITH BOSS		
0 PLC ± 0.2		PRODUCT SPEC	0.8mm PITCH FINE STACK CONNECTOR		
1 PLC ± 0.2		製品規格	MATING HEIGHT 4.2mm		
2 PLC ± 0.2		108-5424	SIZE	CAGE CODE	DRAWING NO
3 PLC ± 0.2		APPLICATION SPEC	A3	00779	C-6376826
4 PLC ± 0.2		取付適用規格	RESTRICTED TO		
ANGLES ± 3°		WEIGHT	-		
MATERIAL 材料	FINISH 仕上	CUSTOMER DRAWING		SCALE 尺度	NTS
		SHEET		3 OF 3	REV A