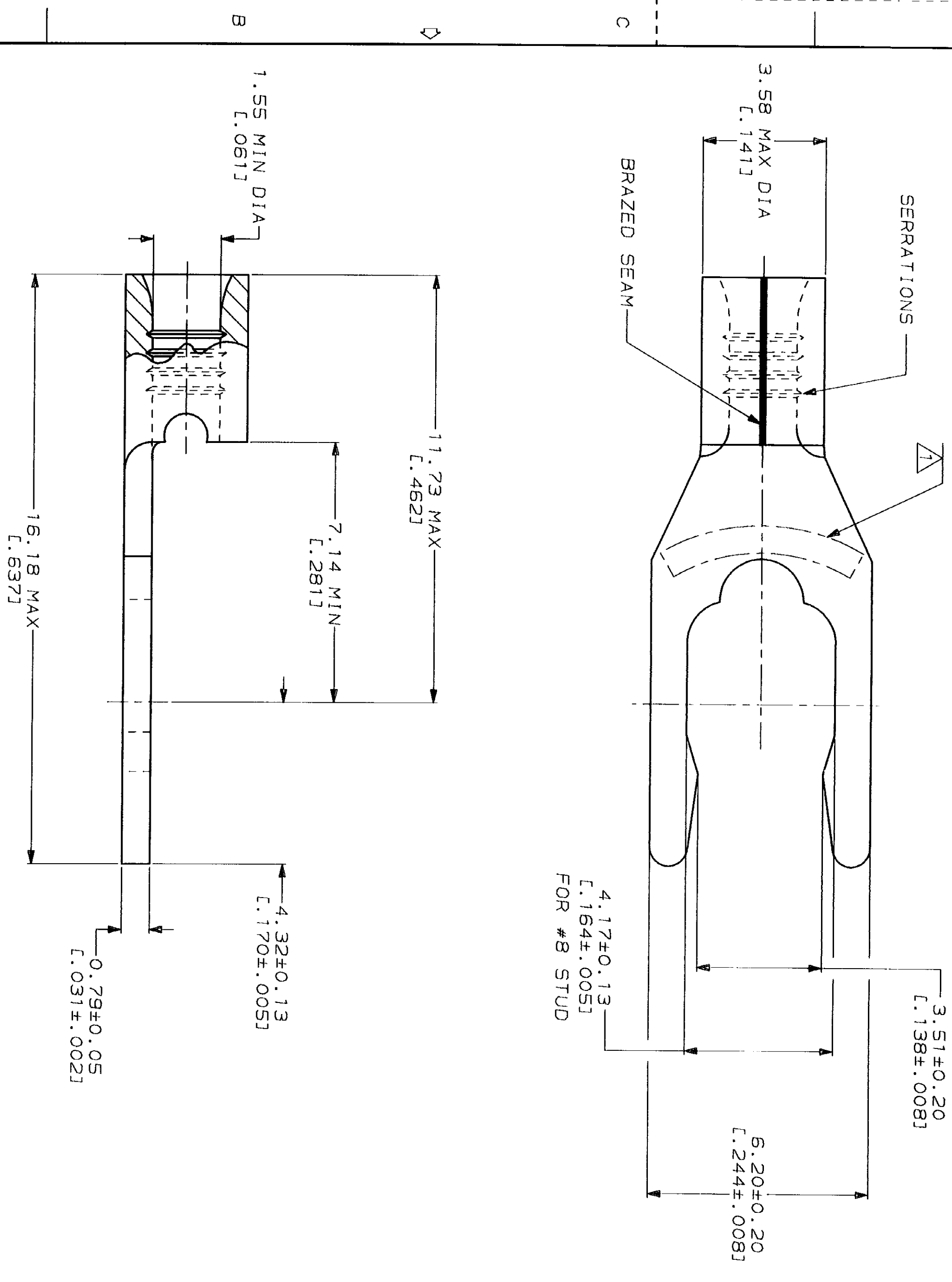


AMP WIRE RANGE		E13288 Listed
22-16 AWG SOLID OR STRANDED	22-16 AWG SOLID OR STRANDED	
LR7189 Certified	MILITARY P/N AND CLASS	
22-16 AWG SOLID OR STRANDED	NOT APPLICABLE	

STAMP 85 AMP 22-16* APPROX AS SHOWN
 22-16 TERMINALS ARE STAMPED 22-18 IN
 ACCORDANCE WITH MILITARY SPECIFICATION
 MIL-T-7928, COMMERCIAL WIRE RANGE IS 22-16
 85 INDICATES STUD SIZE



AMP INCORPORATED CUSTOMER SERVICE SYSTEMS		MAX RECOMMENDED OPERATING TEMPERATURE: 170°C MAX
FOR ADDITIONAL PRODUCT INFORMATION OR COPIES OF DRAWINGS AND TECHNICAL DOCUMENTS	PRODUCT INFORMATION CENTER 1-800-522-6752	VOLTAGE RATING: NOT APPLICABLE
FOR APPLICATION TOOLING INFORMATION	TOOLING ASSISTANCE CENTER 1-800-722-1111	WIRE CROSS SECTIONAL AREA RANGE: 0.26-1.65mm ² (509-3,2601 CIR MILS) SOLID OR STRANDED
FOR ORDER ENTRY	1-800-526-5142	FINISH TIN PLATE 0.00254 [L.000100] MIN THK PER MIL-T-10727

DO NOT SCALE PRINT. UNLESS SPECIFIED DIMENSIONS IN mm - (INCHES) - TOLERANCES ON: 1. DIMENSIONS IN mm - ±0.10 2. PLG DEC ±0.05 3. PLG DEC ANGLES ±0.5	DR 3-29-93 TA BRINKMAN CHK 3-29-93 DA PATTERSON APPD 3-29-93 DE MILLER APPD 3-29-93 JL MECKLEY PRODUCT SPEC
---	---

QUANTITY	PACKAGING TYPE	PART NO
100	LOOSE PIECE, BOX	8-53831-1
5000	ON TAPE	53831-2
---	LOOSE PIECE	53831-1

DR 3-29-93 TA BRINKMAN CHK 3-29-93 DA PATTERSON APPD 3-29-93 DE MILLER APPD 3-29-93 JL MECKLEY PRODUCT SPEC	NAME TERMINAL, SHORT SPRING SPADE, SOLISTRAND™
APPLICATION SPEC	SIZE CAGE CODE DRAWING NO
WEIGHT	SCALE 10:1
	SCALE 10:1