

PART NAME: KNOB

SCALE: 1:1

DATE: 5/10/43

DR. BY H.M.

DAVIES MOLDING COMPANY

CAROL STREAM, ILLINOIS 60188

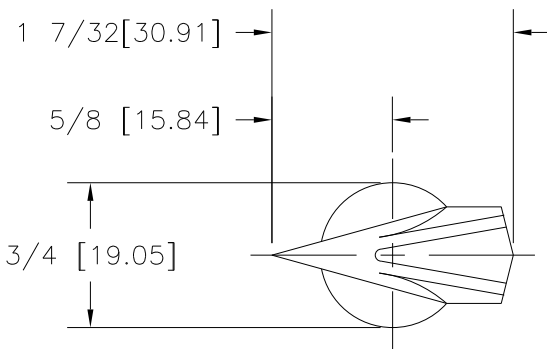
P/N 2300-A

THIS DRAWING IS THE PROPERTY OF DAVIES MOLDING COMPANY, IS SUBMITTED SOLELY AS A DESIGN OR ENGINEERING PROJECT. WE ACCEPT NO RESPONSIBILITY WHATSOEVER FOR THE PRACTICAL APPLICATION OF THE PIECES MADE TO THIS DESIGN.

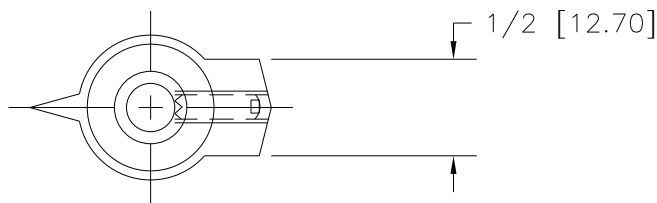
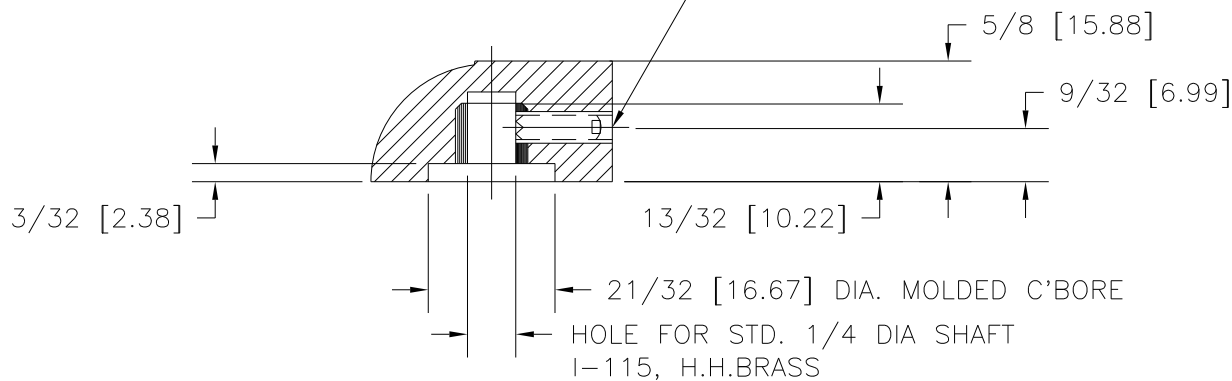
BASE PART 2300-04

CAD/REDRAWN : 11/5/92 : HD

SET SCREW I-22



USE # 28 DR. (.140 DIA.); # 8-32 TAP.  
 # 8-32 THD. X 7/16 LG. CUP POINTED,  
 SLOTTED TYPE, HEADLESS, I-22; ONE REQ'D.



MATERIAL : G.P. PHENOLIC (B11)

COLOR : BLACK

TOLERANCES: UNLESS OTHERWISE SPECIFIED	DO NOT SCALE DRAWING			
DECIMALS: X.XXX ± .005 X.XX ± .015	MM: X.XX ± 0.15MM X.X ± 0.4MM	-	UPDATED TOOLBOX	JAM 10/18/02
FRACTIONS ± 1/64	ANG. ± 1°	CHANGES		