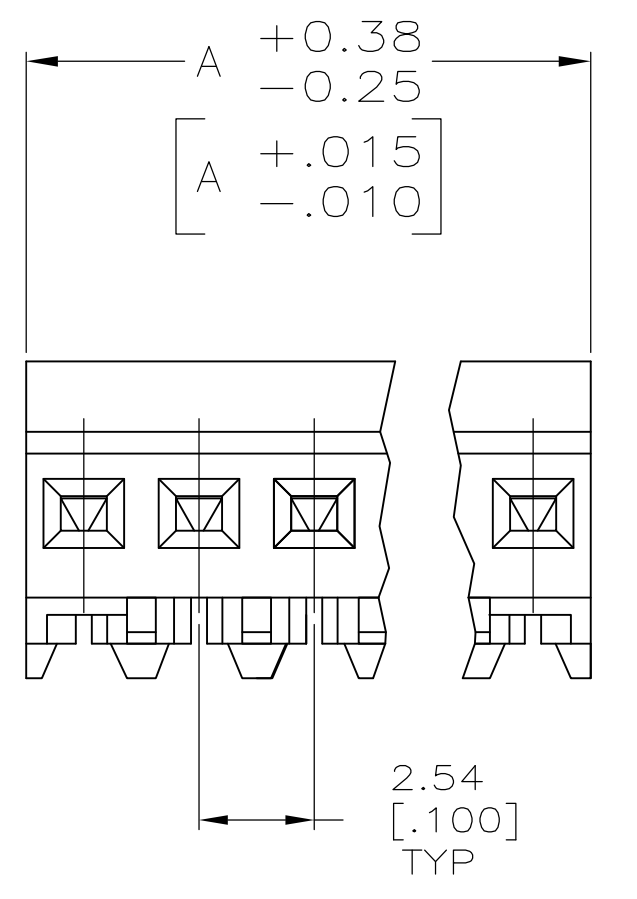
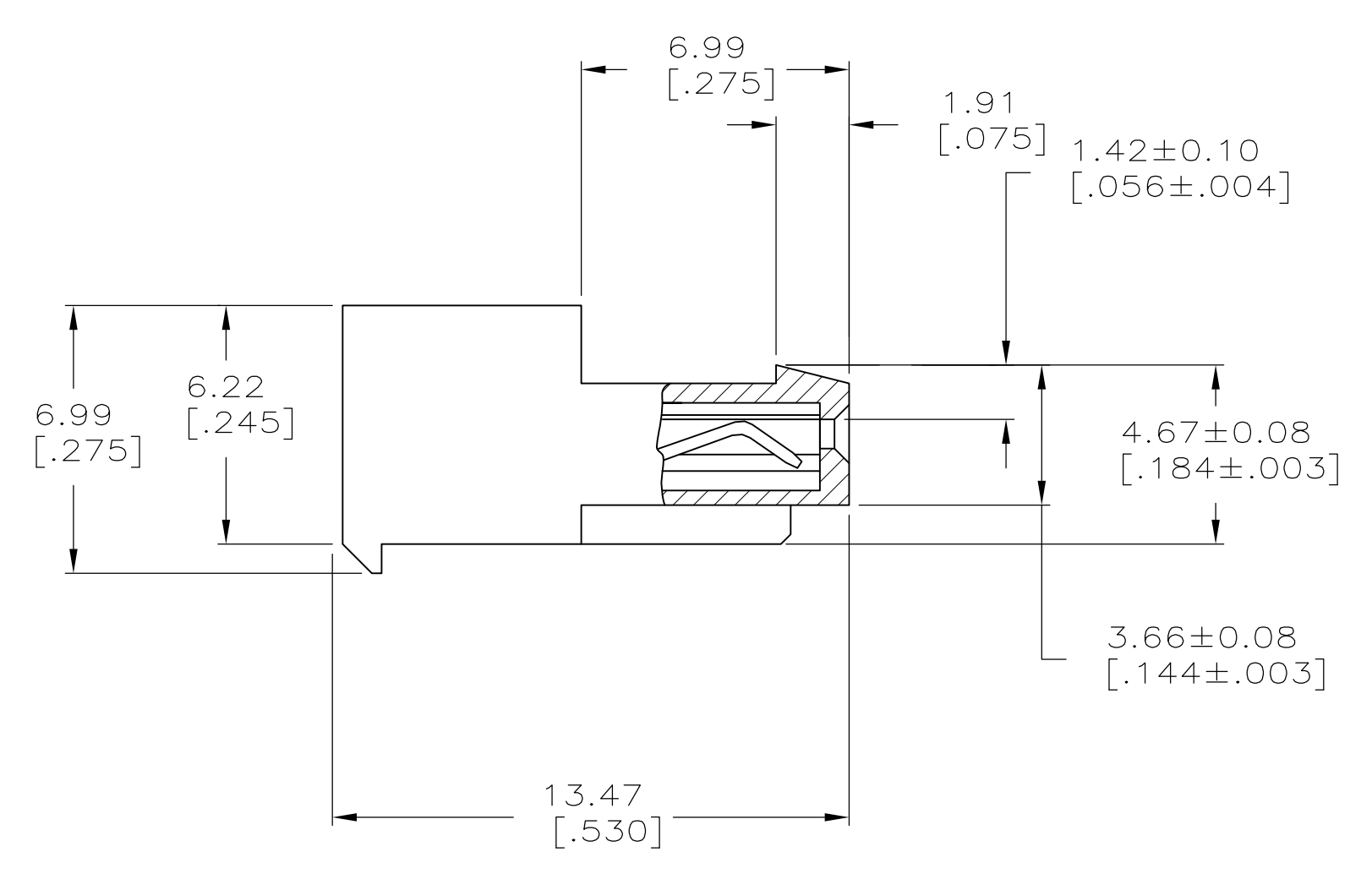
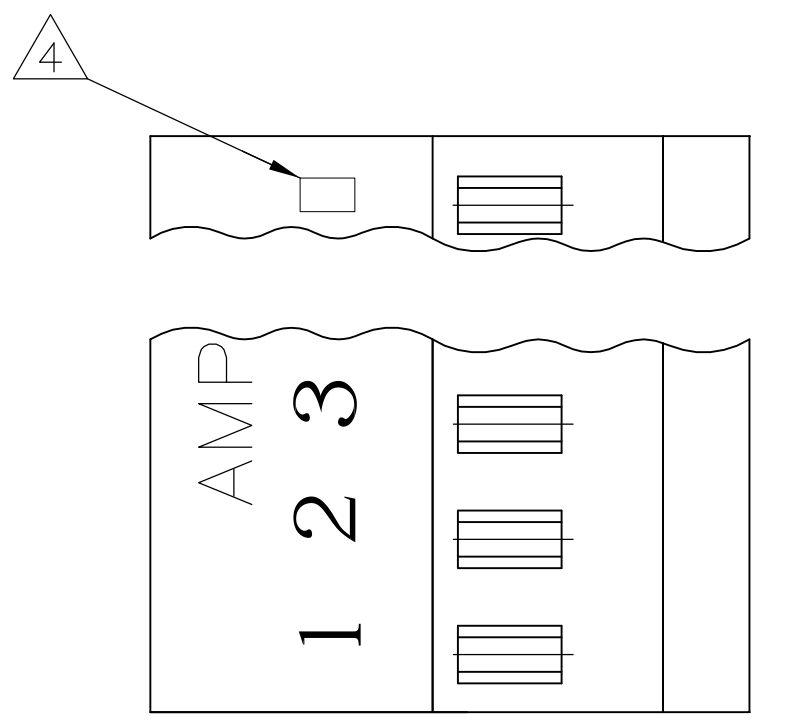


- 1 MATERIAL: CONNECTOR-NYLON UL94V-2 (WHITE).
CONTACTS-0.30 [.012] THICK COPPER ALLOY
BRIGHT TIN-LEAD 0.00203 [.000080] MINIMUM THICK FOR CONTACTS
641535-2 THRU 641535-6,
MATTE WHISKER MITIGATED TIN PLATE 0.00203 [.000080] MINIMUM THICK OVER
NICKEL UNDERPLATE FOR CONTACTS 3-641535-2 THRU 3-641535-6.
- 2. CONTACTS ACCEPT 24 AWG WIRE WITH 1.52 [.060] MAXIMUM INSULATION DIAMETER.
- 3. CONTACTS MUST ACCEPT 0.36-0.51 [.014-.020] SQUARE OR ROUND POST AND
REMAINED LOCKED IN POSITION.
- 4 IDENTIFICATION NUMBER FOR LAST CIRCUIT MAY NOT APPEAR ON ALL ASSEMBLIES.
- 5. DIMENSIONS IN BRACKETS ARE IN INCHES.
- 6. HOUSING FEATURES ARE: CLOSED END WITH LOCKING RAMP & LED CONTACT.
- 7 OBSOLETE PARTS: OBSOLETE CIS STREAMLINING PER D.RENAUD/D.SINISI



LEAD FREE	15.24 [.600]	6	3-641535-6
	12.70 [.500]	5	3-641535-5
	7.62 [.300]	3	3-641535-3
	5.08 [.200]	2	3-641535-2
	DIM A	NO.OF POSN	ASSEMBLY

CONTAINS LEAD	15.24 [.600]	6	641535-6
	12.70 [.500]	5	641535-5
	7.62 [.300]	3	641535-3
	5.08 [.200]	2	641535-2
	DIM A	NO.OF POSN	ASSEMBLY

7 SUPERSEDED
7 SUPERSEDED



THIS DRAWING IS A CONTROLLED DOCUMENT.		DIN S. HOOVER 10-DEC-2004	TE Connectivity
DIMENSIONS: mm [INCHES]		CJK D. BOSSI 10-DEC-2004	
TOLERANCES UNLESS OTHERWISE SPECIFIED:		APVD D. BOSSI 10-DEC-2004	NAME
0 PLC ±			MTA-100 CONNECTOR ASSEMBLY,
1 PLC ±			24 AWG, FOR .014 TO .020 POST, SPECIAL
2 PLC ± 0.13 [.005]			PRODUCT SPEC
3 PLC ±			108-1050
4 PLC ±			APPLICATION SPEC
ANGLES ±			114-1019
MATERIAL 1	FINISH 1	WEIGHT	SIZE CAGE CODE DRAWING NO. RESTRICTED TO
		A1 00779 641535	SCALE 5:1 SHEET 1 OF 1 REV N2
CUSTOMER DRAWING			