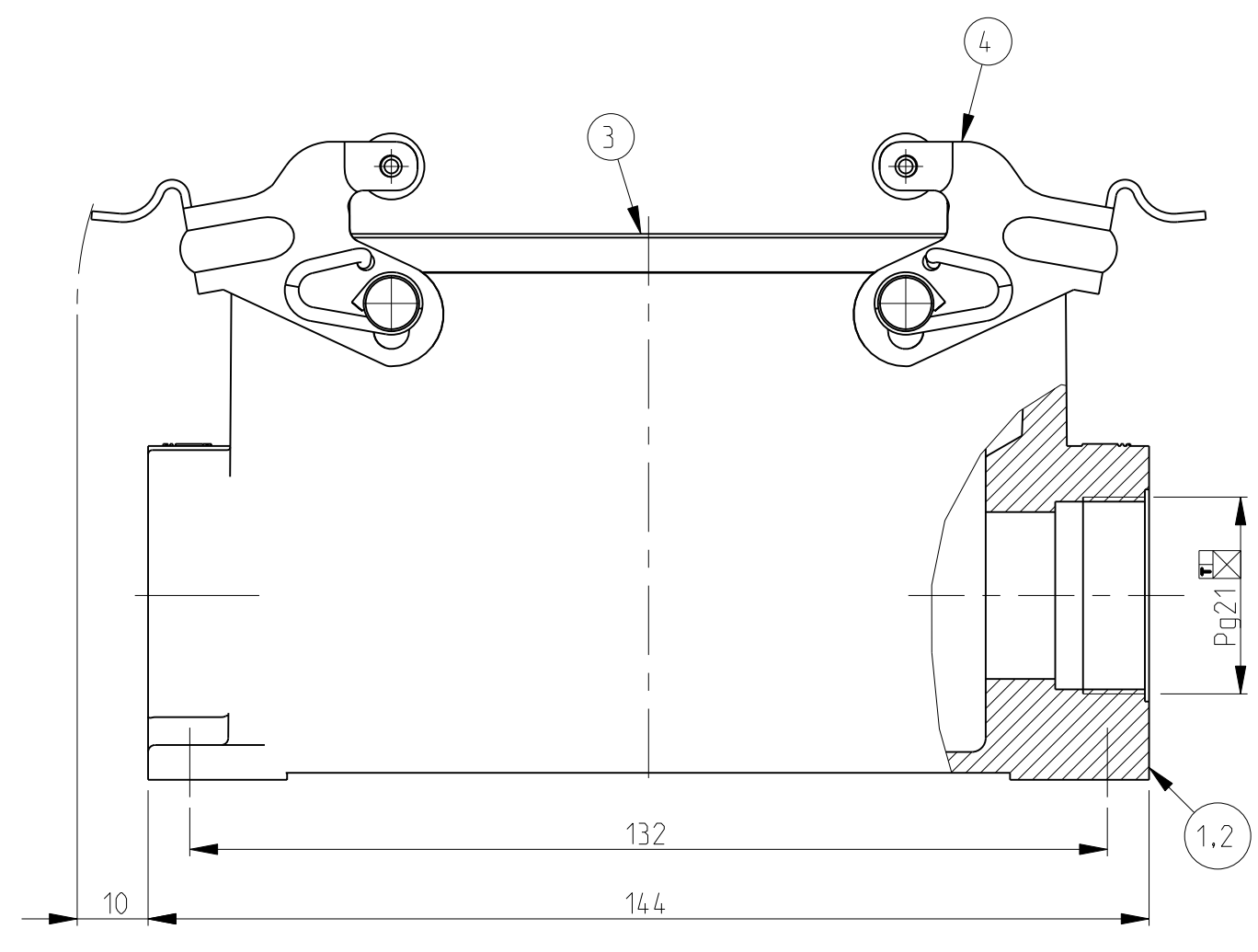
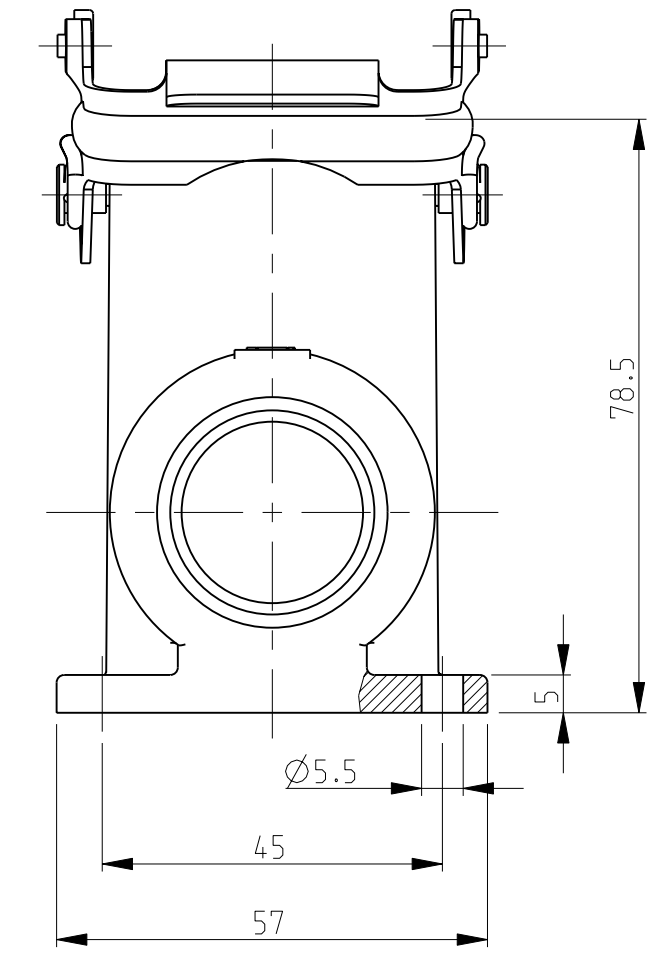


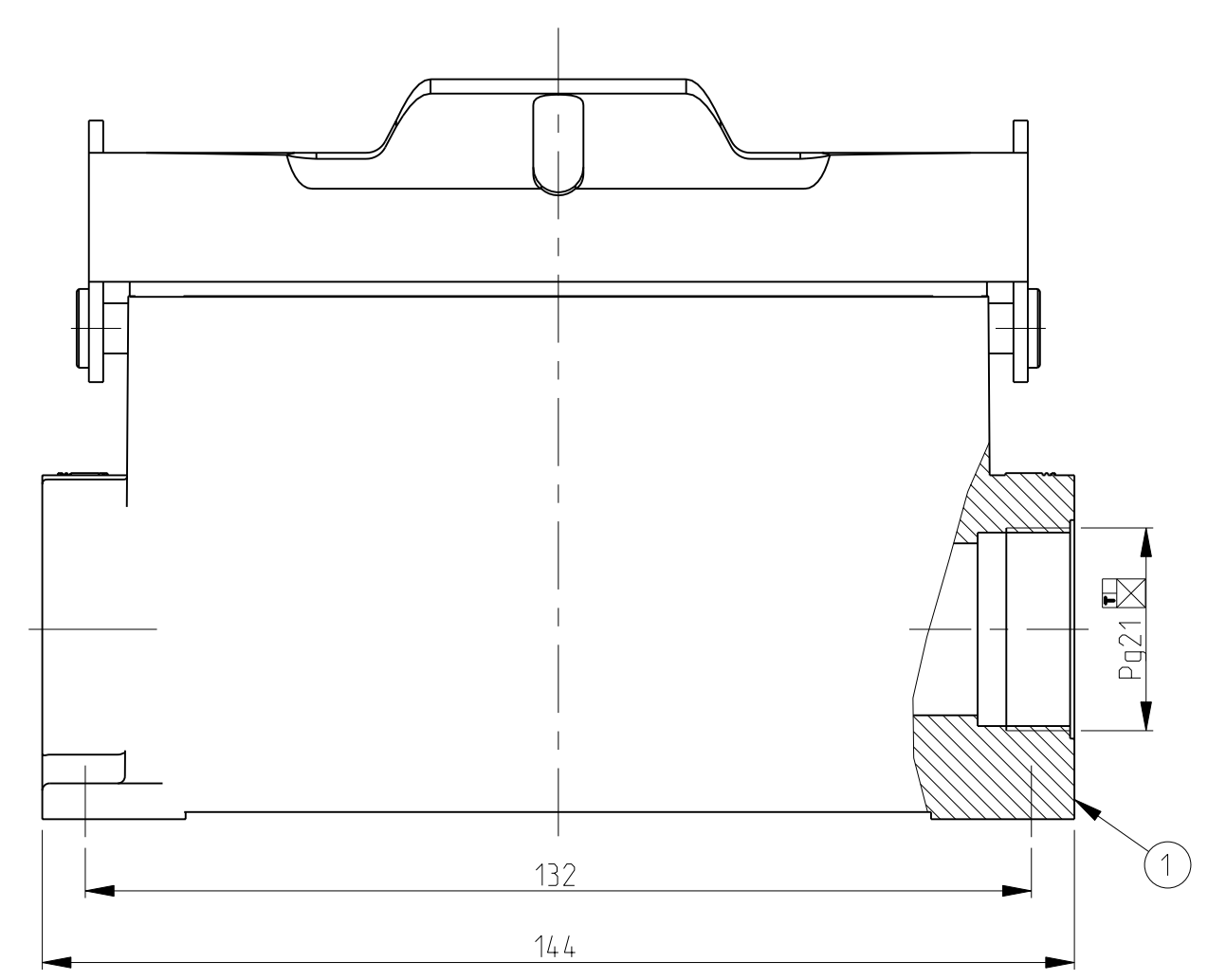
LOC	DIST	REV	DESCRIPTION	DATE	DWN	APVD
A1	-	A2	Released as per ECR-08-017219	09.July.2008	SP	TS



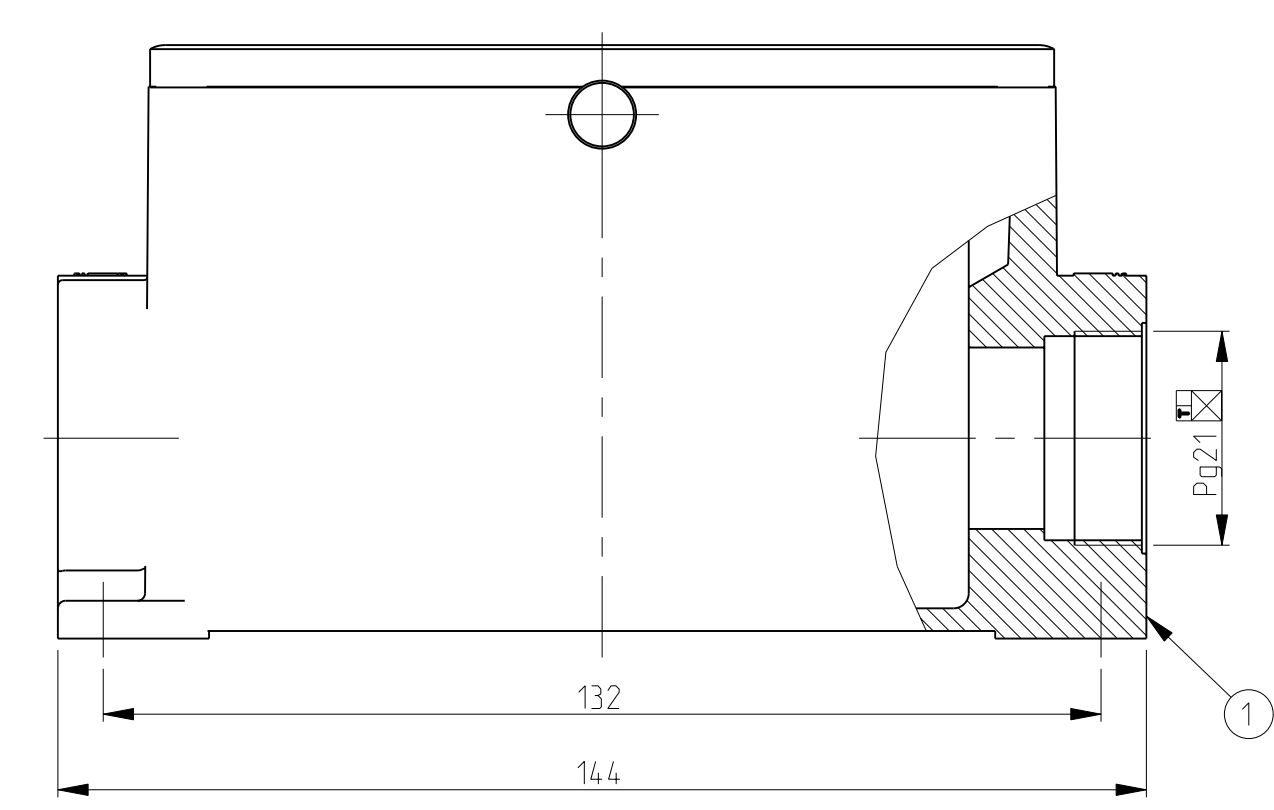
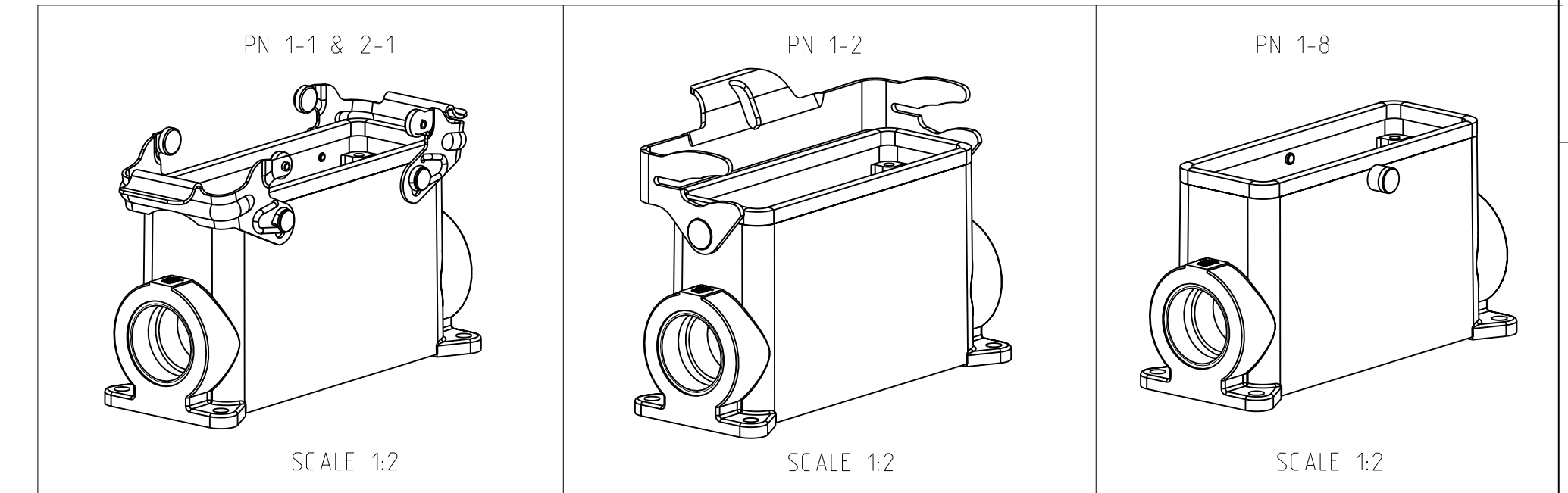
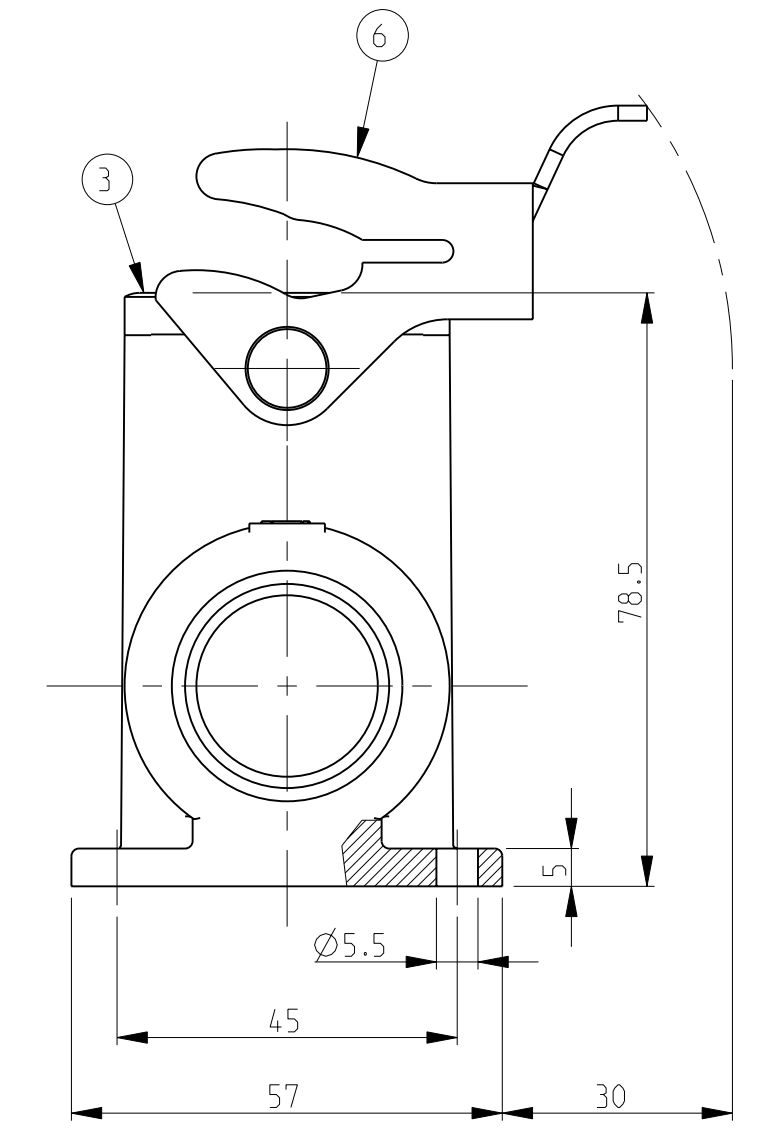
PN 1-1 & 2-1



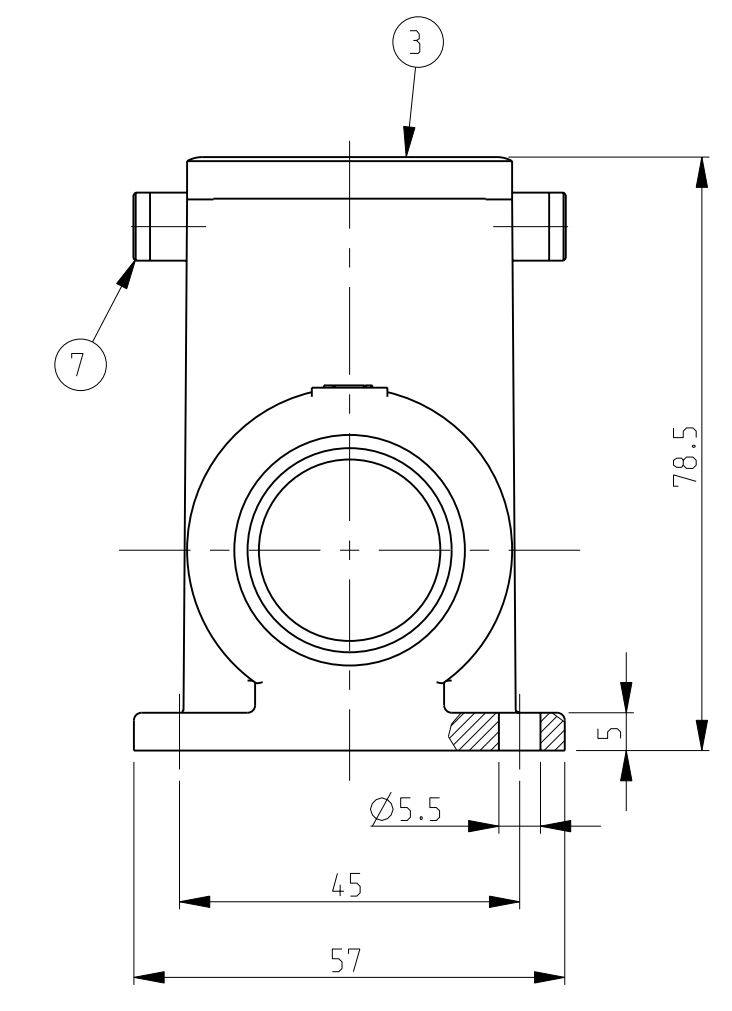
- NOTES.
- 1 Material:Housing:Aluminium Diecasting Alloy  
Seals:Neoprene
  - 2 Surface:Varnish grey  
-Aluminium Oxide +Varnish Black
  - 3 Varnish on the inside not necessary
  - 4 Packaging  
Quantity 5 Pieces in a box



PN 1-2



PN 1-8



QTY	DESCRIPTION	MATERIAL	SURFACE	COLOR	ITEM NO	REMARKS
2	ZB-Clip bolt	Steel	Zinc plated	Blue	7	
1	LB-Side clip	Steel	Zinc plated	Blue	6	
2	VS-Side clip	Stainless steel			5	
1	VS-Side clip	Steel	Zinc plated	Blue	4	
1	Profile seal	Neoprene		Black	3	
1	Surface mounted housing side entry HD-K	Aluminium	Aluminium oxide	Black	2	
1	Surface mounted housing side entry HD	Aluminium		Grey	1	

ORDERING TEXT  
 HD.64.SG.VS.1.21.Z  
 HD-K.64.SG.VS.1.21.Z  
 HD.64.SG.LB.1.21.Z  
 HD-Z.64.SG-ZVGR.1.21.Z

DIMENSIONS:	TOLERANCES UNLESS OTHERWISE SPECIFIED:	DWN	Schweiger	30.09.03	Tyco Electronics,AMP.GmbH 0-53819,Neunkirchen,Germany
mm	0 PLC ± 1 PLC ± 2 PLC ± 3 PLC ± 4 PLC ± ANGLES ±	CHK	M.Schweiger	30.09.03	
MATERIAL	FINISH	APVD			NAME
					Surface mounted housing side entry HD.64.SG.1.21.Z
					SIZE CAGE CODE DRAWING NO RESTRICTED TO
					A1 00779 C=1103346 -
					CUSTOMER DRAWING SCALE 1:1 SHEET 1 OF 1 REV A2