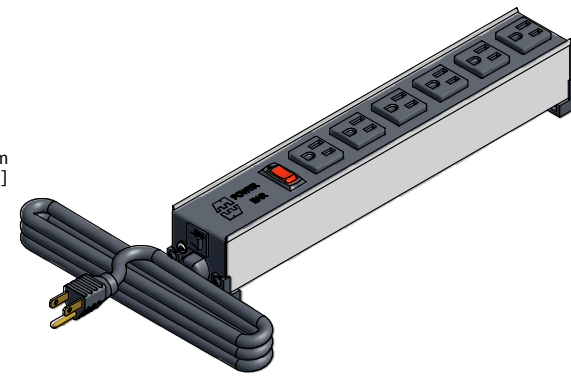
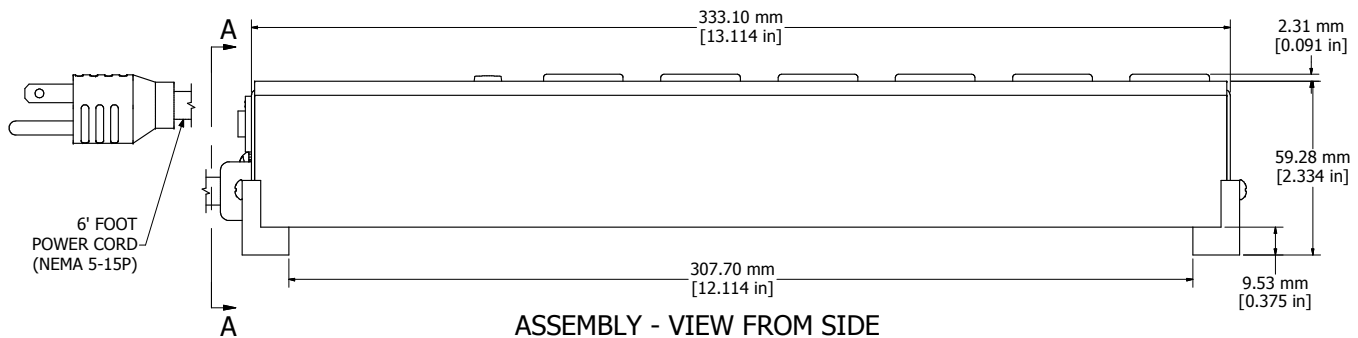


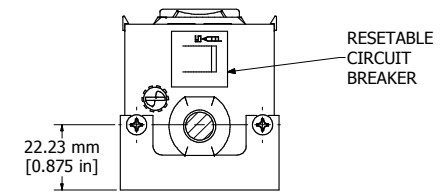
ASSEMBLY - VIEW FROM TOP



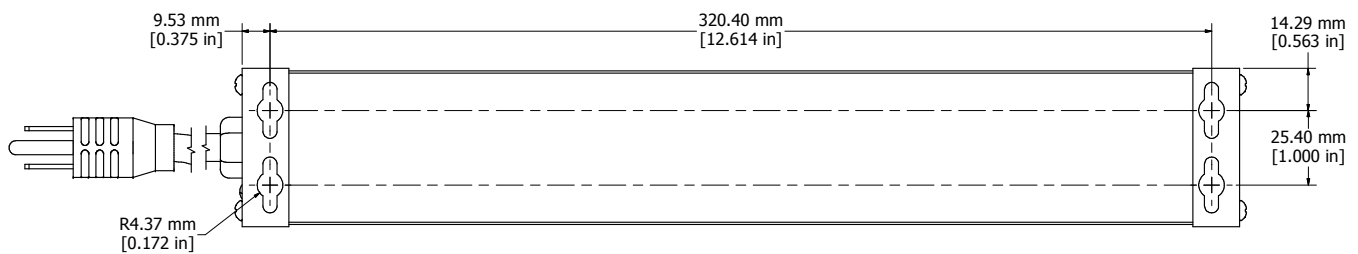
ISOMETRIC VIEW



ASSEMBLY - VIEW FROM SIDE



SECTION A-A



ASSEMBLY - VIEW FROM BOTTOM

1584H6**
Finish - Top - Black Painted Steel
Bottom - Aluminum Extrusion
Rated - 120 VAC, 60 Hz, 15 Amps
Approvals - CSA Certified Standards C22.2 (No. 21-95, 42-99)
- UL Listed, Standard UL1363
Cord Length
1584H6A1 - 6' Foot Power Cord (NEMA 5-15P)
1584H6B1 - 15' Foot Power Cord (NEMA 5-15P)

HAMMOND MANUFACTURING™
1584H6**
www.hammondmfg.com