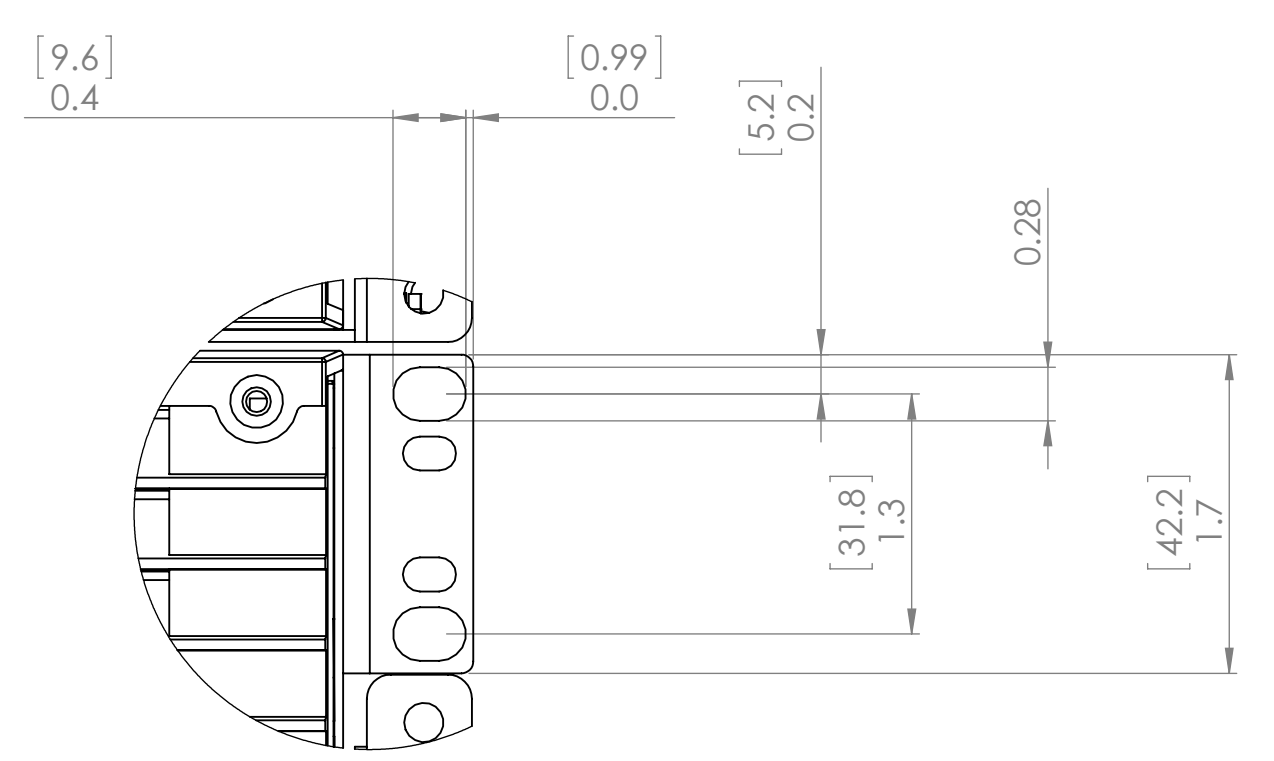
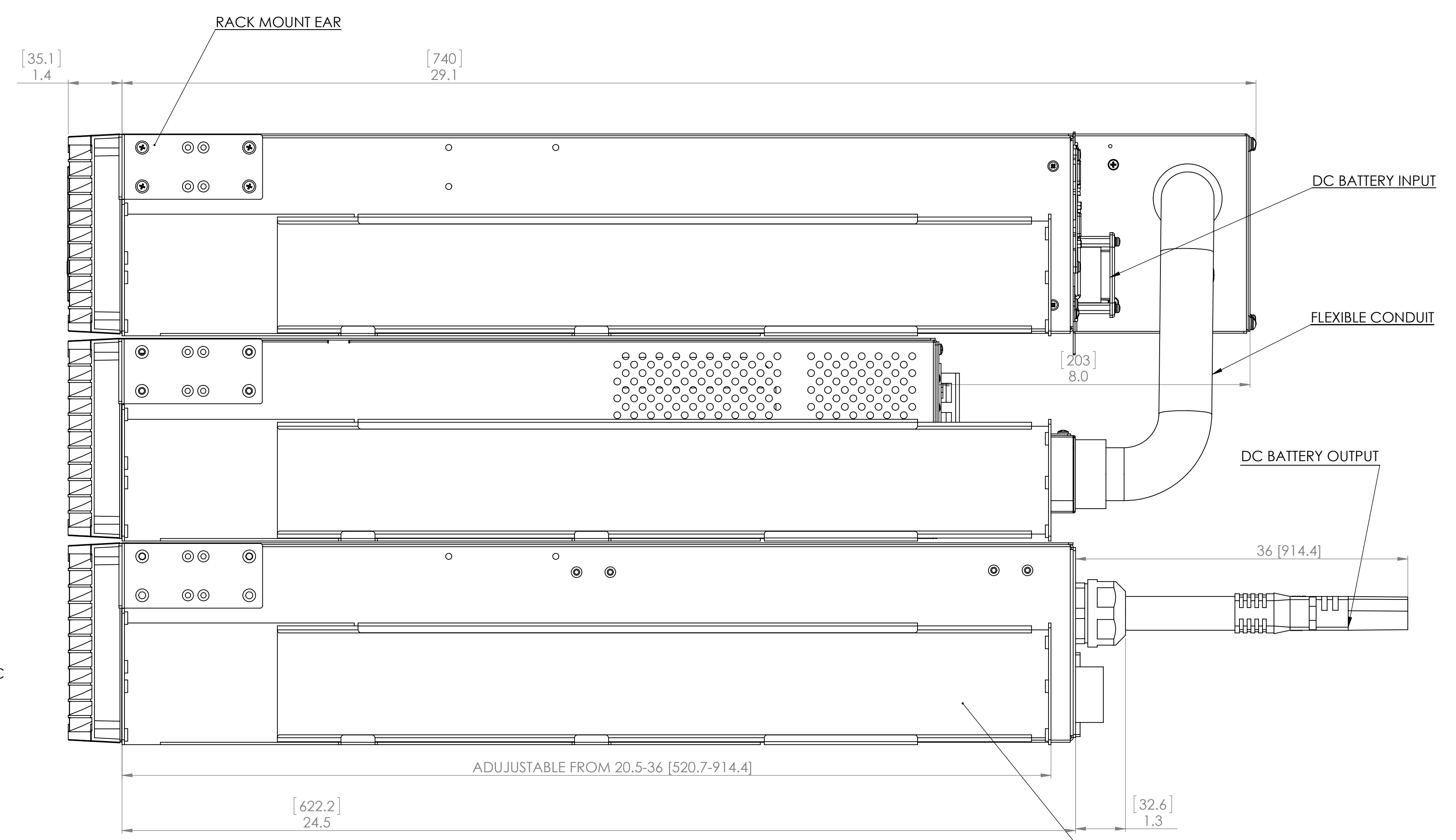
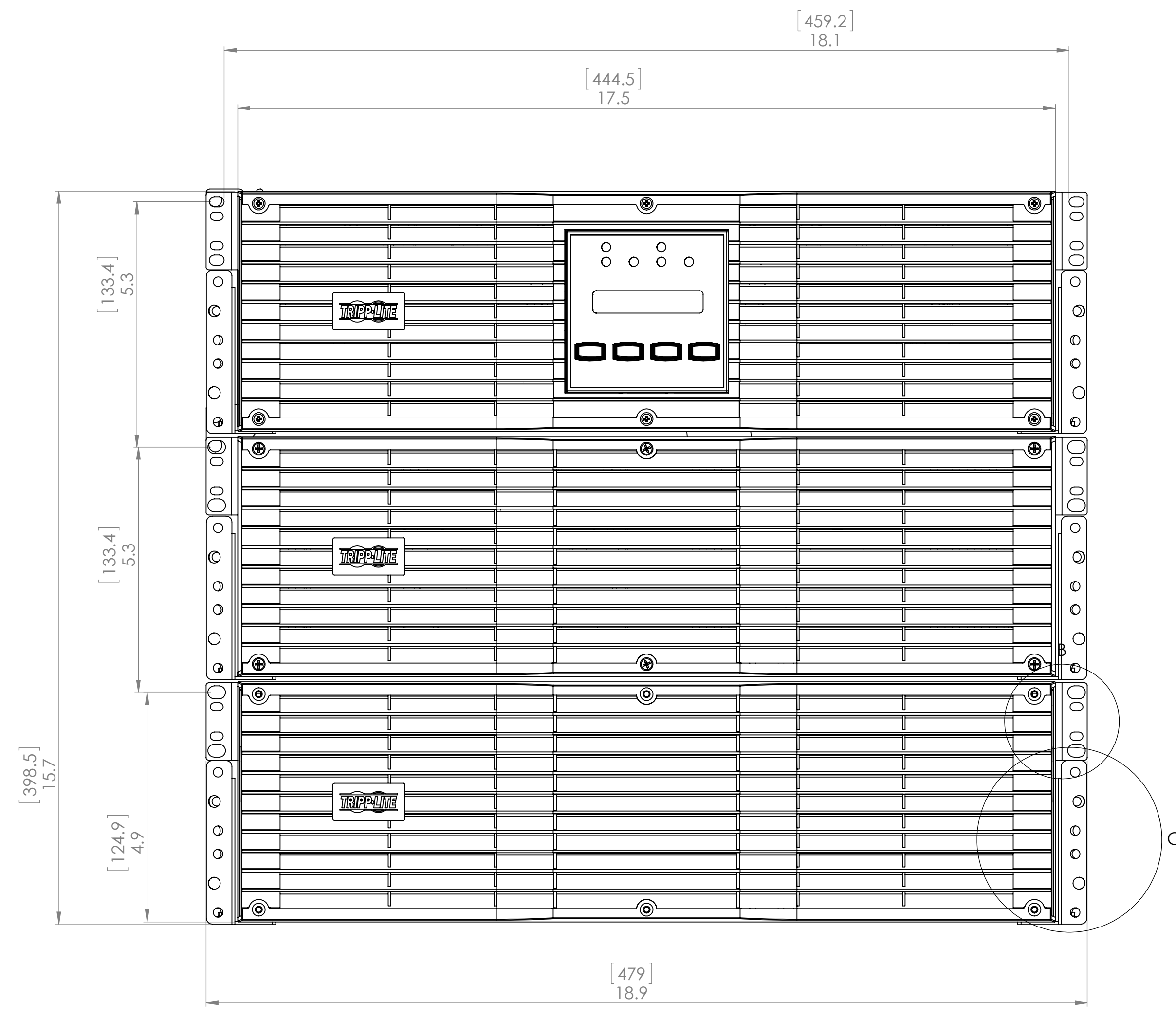
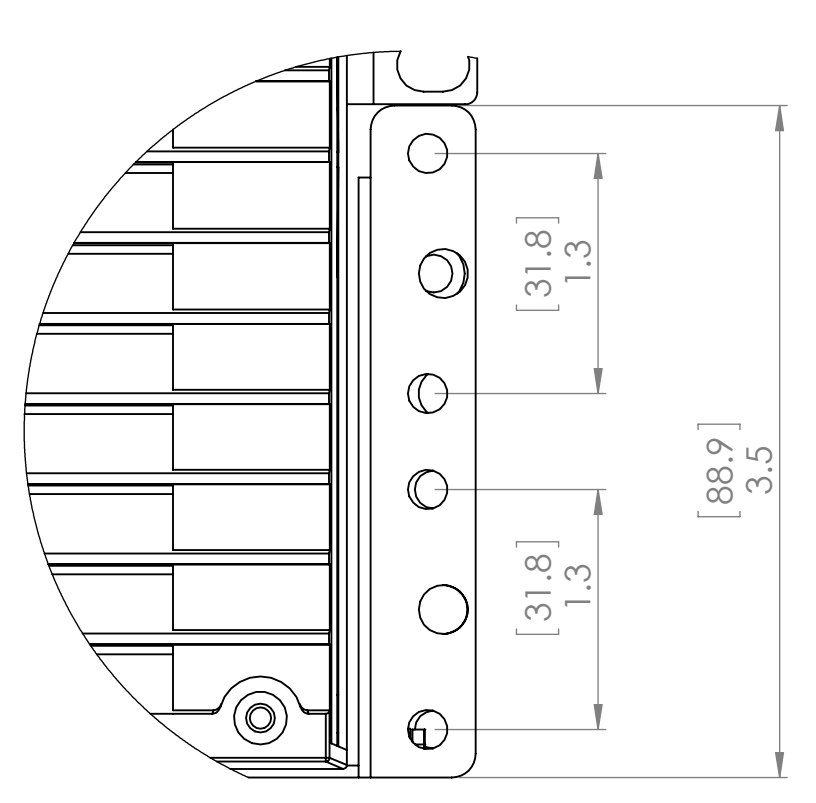


THE INFORMATION CONTAINED IN THIS DRAWING IS THE SOLE PROPERTY OF TRIPPE MANUFACTURING. ANY REPRODUCTION IN PART OR WHOLE WITHOUT THE WRITTEN PERMISSION OF TRIPPE MANUFACTURING IS PROHIBITED.

REV.	DESCRIPTION	REVISIONS	DATE	REVISED BY
A	INITIAL RELEASE		02/04/13	KMH

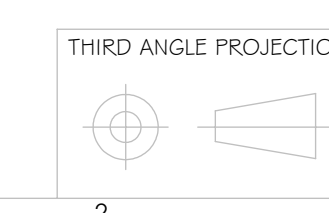
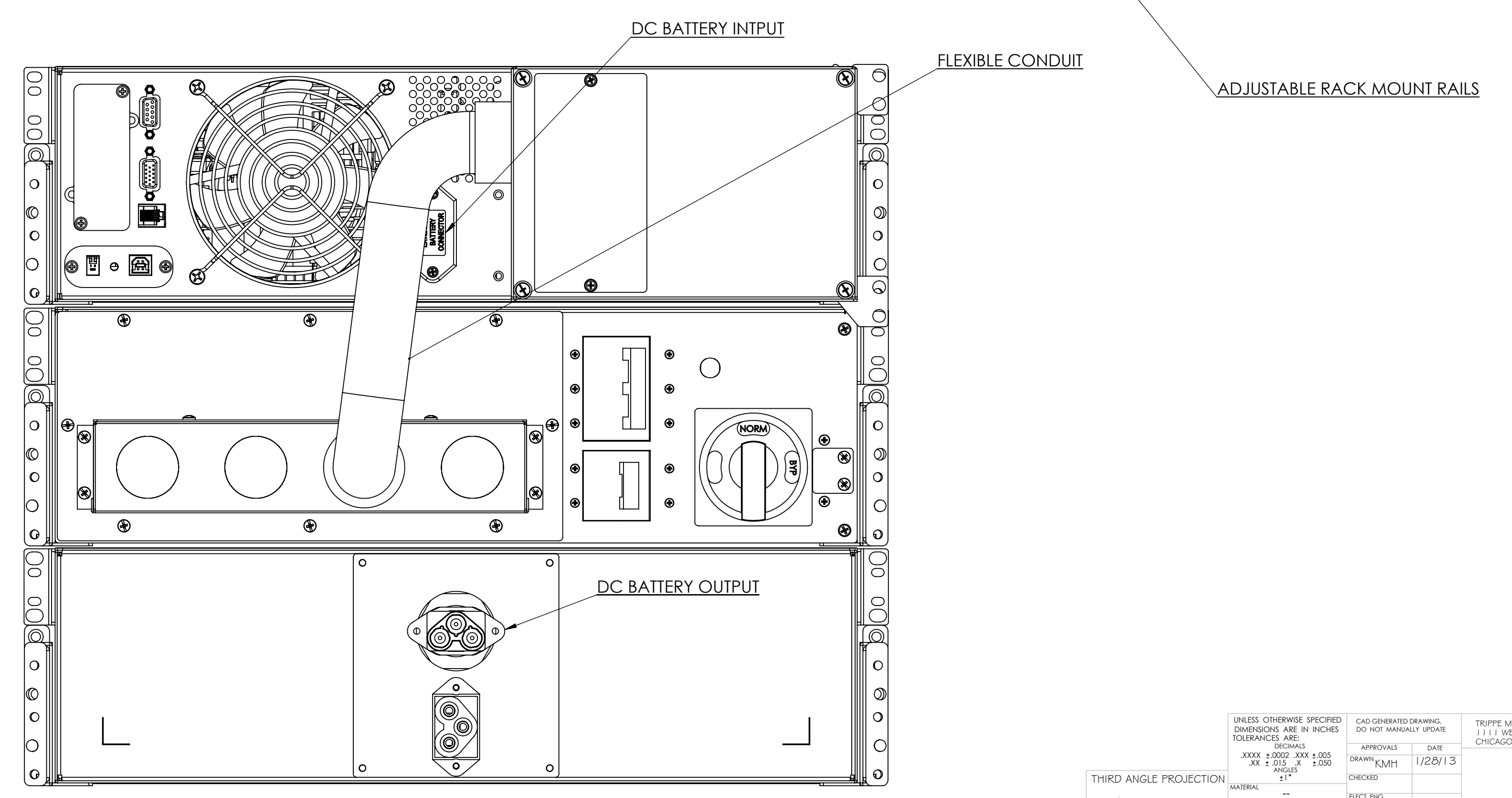


DETAIL B
SCALE 1:1



DETAIL C
SCALE 1:1

- NOTES:
1. ALL DIMENSIONS IN INCHES [MILLIMETERS].
 2. APPROX. BUNDLE WEIGHT 460 LBS



UNLESS OTHERWISE SPECIFIED DIMENSIONS ARE IN INCHES TOLERANCES ARE: DIMENSIONS XXXX ± 0.002 XXX ± 0.005 XX ± 0.015 XX ± 0.050 ANGLES ± 1°	CAD GENERATED DRAWING DO NOT MANUALLY UPDATE	TRIPPE MANUFACTURING COMPANY 1111 WEST 35th STREET CHICAGO, IL 60609
MATERIAL ---	APPROVALS DRAWN: KMH CHECKED: --- ELECT ENG: --- MFG ENG: --- QUAL ENG: ---	DATE 1/28/13
FINISH ---	DO NOT SCALE DRAWING	SCALE: N.T.S. CAD FILE
		SHEET 1 OF 1

SU1OKRT3U
BUNDLE

REV. A
9114AD