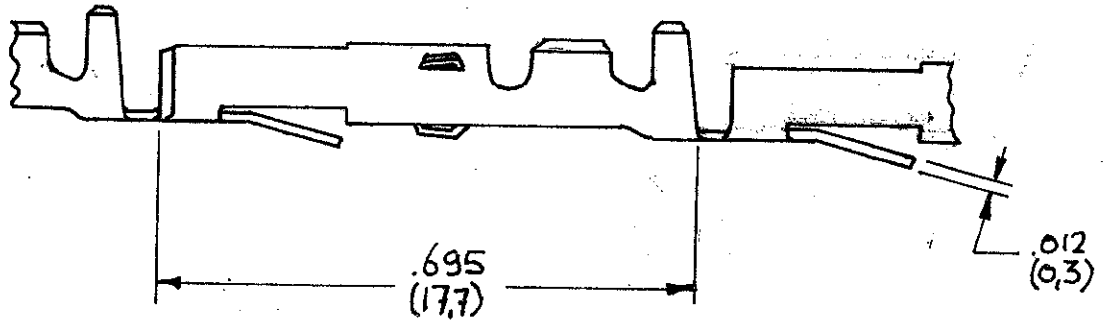
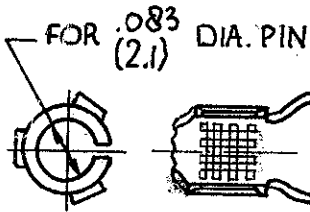
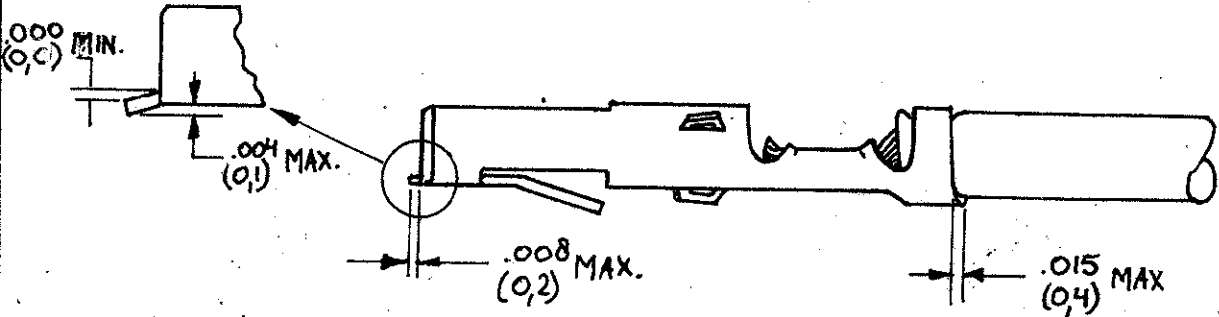
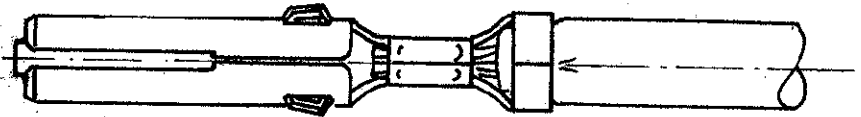


DRAWING MADE IN AMERICAN PROJECTION

NUMBER C-160495



DIMENSIONS IN (M.M.) DO NOT SCALE PRINT

160495-4	PHOSPH. BR	PRE-TIN
160495-3	PHOSPH. BR	NONE
160495-2	BRASS	PRE-TIN
160495-1	BRASS	NONE
ORDER NO.	MATERIAL	PLATING
DR A.BUNEN 11.4.72	DATE 11.4.72	DE DATE
CHK	DATE	APP DATE 11.4.72

CUSTOMER COPY FOR REFERENCE ONLY

©1972 BY AMP-HOLLAND N.V. ALL RIGHTS RESERVED A-MP PRODUCTS COVERED BY PATENTS AND/OR PATENTS PENDING.



AMP-HOLLAND N.V.
's-Hertogenbosch

WIRE-RANGE 0,5-1,0 mm ²	INSUL.-RANGE .070-.130 DIA (1,8-3,3)	FIRST USED 4
---------------------------------------	--------------------------------------------	-----------------

SCALE 4:1	SIZE A	NO C-160495	REV B
--------------	-----------	----------------	----------

NAME MATE-N-LOK SOCKET