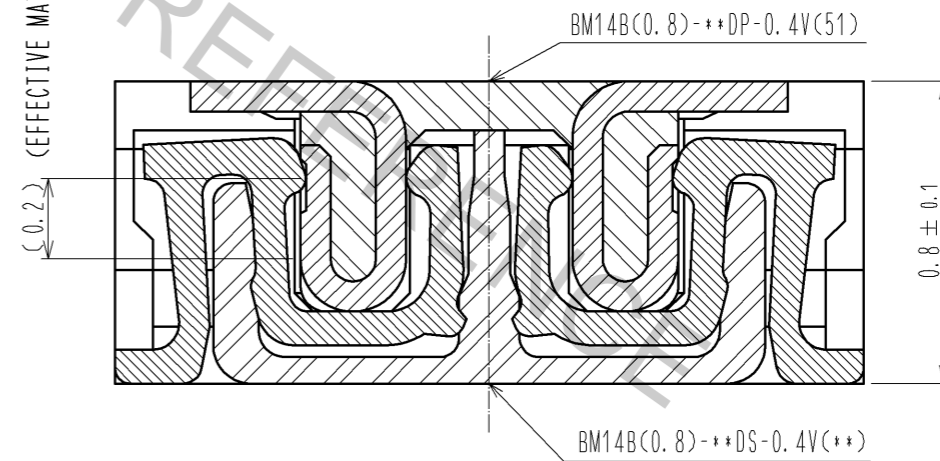


ENGAGEMENT FIGURE (50:1)



- NOTE) 1. ALL LEAD CO-PLANARITY SHALL BE 0.08mm MAX
 2. CONTACT PLATING SPECIFICATIONS
 CONTACT AREA : GOLD 0.05 μm MIN
 SMT LEAD : GOLD 0.05 μm MIN
 UNDERPLATING : NICKEL 1 μm MIN
 (SURFACE : SEALING)
 3. EACH CONTACTS AT 4 CORNERS ARE PROVIDED FOR METAL FITTINGS AND GROUNDING PURPOSE. THEY CAN BE USED ALSO AS A SIGNAL CONTACT.
 4. HRS MARK AND CAV No. ARE INDICATED IN APPROX POSITION SHOWN.
 5. A PART OF THE WALL COULD BE NOTCHED.

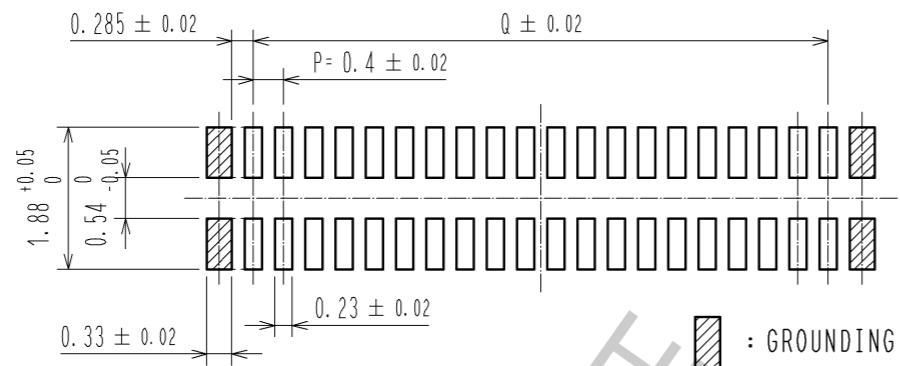
| PART No. | CODE No. | B | C |
|--------------------------|-----------------|-------|------|
| BM14B(0.8)-10DP-0.4V(51) | CL684-8010-0-51 | 3.66 | 2.4 |
| BM14B(0.8)-12DP-0.4V(51) | CL684-8042-7-51 | 4.06 | 2.8 |
| BM14B(0.8)-20DP-0.4V(51) | CL684-8011-3-51 | 5.66 | 4.4 |
| BM14B(0.8)-22DP-0.4V(51) | CL684-8047-0-51 | 6.06 | 4.8 |
| BM14B(0.8)-24DP-0.4V(51) | CL684-8012-6-51 | 6.46 | 5.2 |
| BM14B(0.8)-30DP-0.4V(51) | CL684-8013-9-51 | 7.66 | 6.4 |
| BM14B(0.8)-34DP-0.4V(51) | CL684-8014-1-51 | 8.46 | 7.2 |
| BM14B(0.8)-40DP-0.4V(51) | CL684-8015-4-51 | 9.66 | 8.4 |
| BM14B(0.8)-50DP-0.4V(51) | CL684-8016-7-51 | 11.66 | 10.4 |
| BM14B(0.8)-60DP-0.4V(51) | CL684-8002-2-51 | 13.66 | 12.4 |

| NO. | MATERIAL | FINISH | REMARKS | NO. | MATERIAL | FINISH | REMARKS |
|-----|-----------------|--------|-------------------------------|-----|-----------|--------|------------------------------|
| 3 | PS | | CLEAR (ENBOSSED CARRIER TAPE) | 6 | PS | | CLEAR (REINFORCEMENT COLLAR) |
| 2 | PHOSPHOR BRONZE | | 2 | 5 | PS | | BLACK (PLASTIC REEL) |
| 1 | LCP | | UL94 V-0, BLACK | 4 | POLYESTER | | CLEAR (COVER TAPE) |

| UNITS | SCALE | COUNT | DESCRIPTION OF REVISIONS | DESIGNED | CHECKED | DATE |
|-------|-------|-------|--------------------------|------------|-------------|----------|
| mm | 10:1 | 1 | DIS-H-008082 | SH. HOSODA | YH. MICHIDA | 13.08.03 |

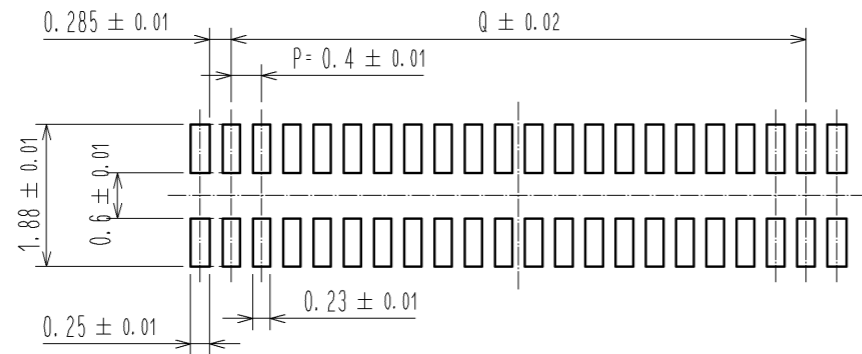
| APPROVED | CHECKED | DESIGNED | DRAWN | DRAWING NO. | PART NO. | CODE NO. |
|-----------|-------------|--------------|--------------|----------------|-------------------------|----------|
| KH. IKEDA | WR. FUKUCHI | YH. HASEGAWA | YH. HASEGAWA | EDC3-322328-04 | BM14B(0.8)-*DP-0.4V(51) | CL684 |

◆ RECOMMENDED PCB LAYOUT

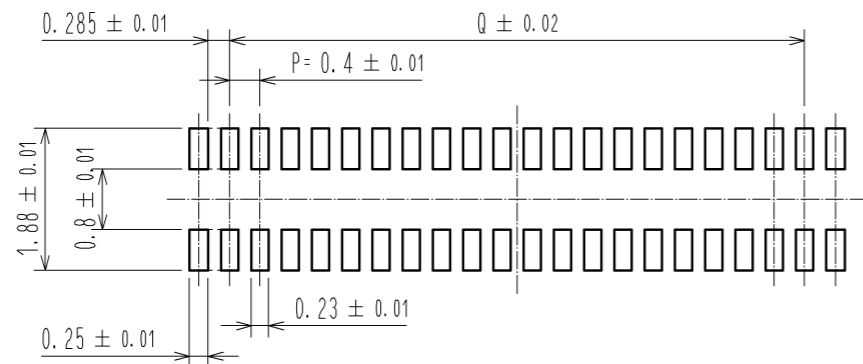


◆ RECOMMENDED METAL MASK DIMENSIONS

METAL MASK THICKNESS : 100 μm

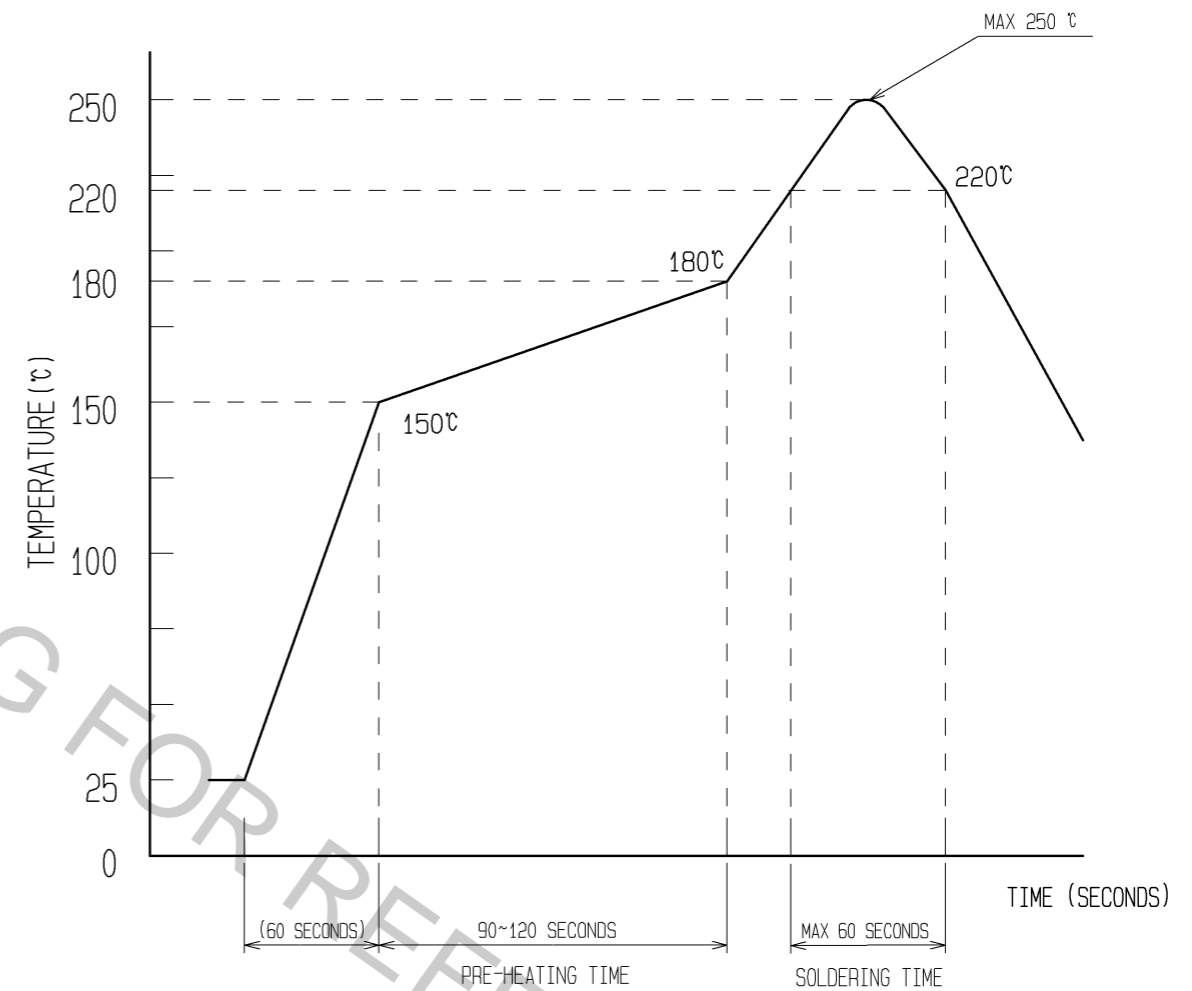


METAL MASK THICKNESS : 120 μm



| PART No. | Q |
|--------------------------|------|
| BM14B(0.8)-10DP-0.4V(51) | 1.6 |
| BM14B(0.8)-12DP-0.4V(51) | 2.0 |
| BM14B(0.8)-20DP-0.4V(51) | 3.6 |
| BM14B(0.8)-22DP-0.4V(51) | 4.0 |
| BM14B(0.8)-24DP-0.4V(51) | 4.4 |
| BM14B(0.8)-30DP-0.4V(51) | 5.6 |
| BM14B(0.8)-34DP-0.4V(51) | 6.4 |
| BM14B(0.8)-40DP-0.4V(51) | 7.6 |
| BM14B(0.8)-50DP-0.4V(51) | 9.6 |
| BM14B(0.8)-60DP-0.4V(51) | 11.6 |

⑥ RECOMMENDED REFLOW TEMPERATURE PROFILE USING LEAD-FREE SOLDER PASTE.



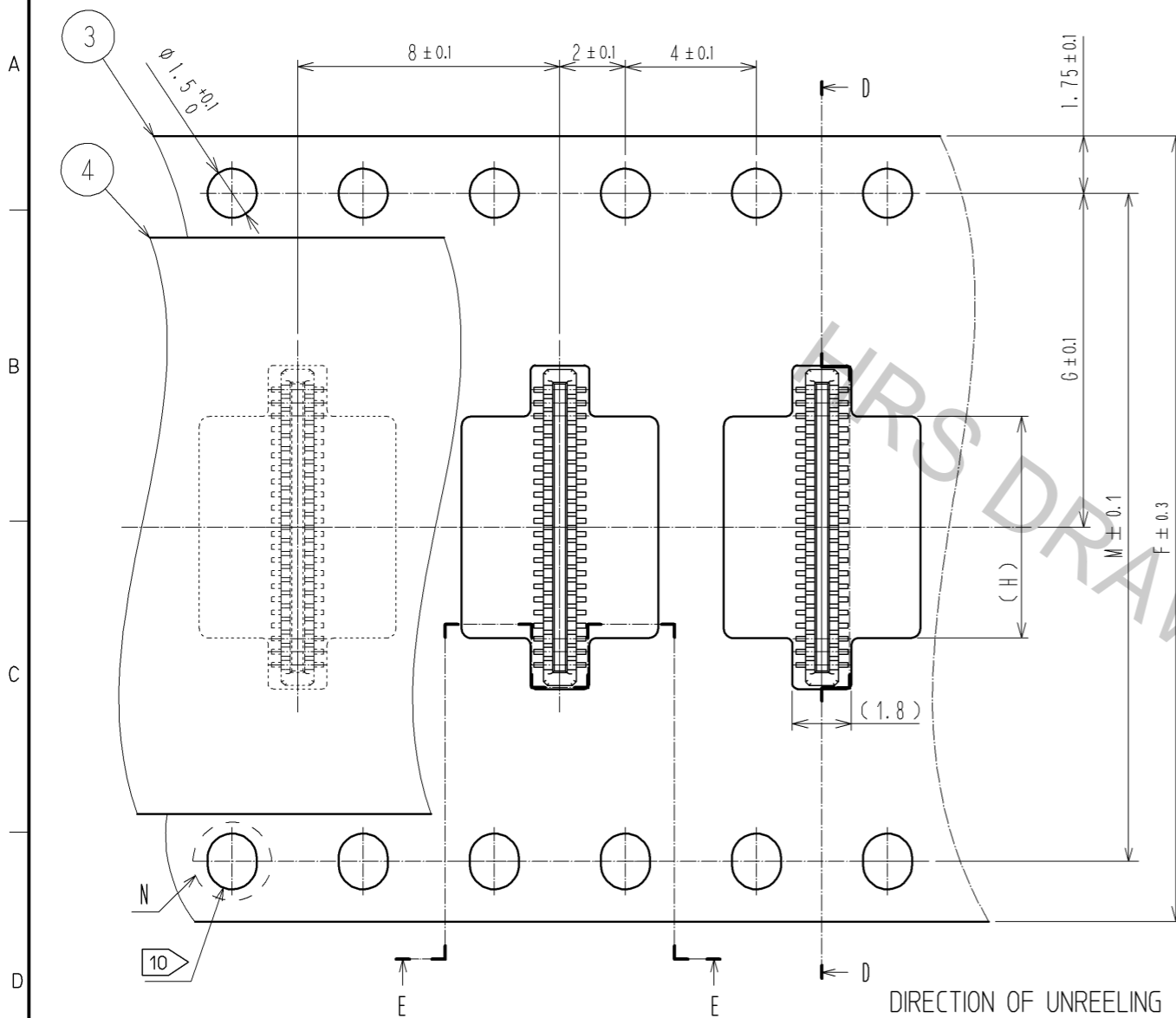
- REFLOW METHOD: IR REFLOW
 NUMBER OF REFLOW CYCLES: 2 CYCLES MAX.
- REFLOW TIME
 DURATION ABOVE 220°C, 60 SEC. MAX.
 (PEAK TEMPERATURE: 250°C MAX)
 - PRE-HEAT TIME
 PRE-HEAT TEMPERATURE(MIN): 150°C
 PRE-HEAT TEMPERATURE(MAX): 180°C
 PRE-HEAT TIME: 90-120 sec.

⑥ THIS TEMPERATURE PROFILE IS PER THE CONDITIONS SHOWN ABOVE. ADDITIONAL FACTORS, SUCH AS SOLDER PASTE TYPE, PCB SIZE AND OTHER MOUNTED COMPONENTS COULD AFFECT THE PROFILE, THEREFORE, A THOROUGH EVALUATION OF MOUNTING CONDITION IS REQUIRED PRIOR TO PRODUCTION. TEMPERATURE IS MEASURED AT CONTACT LEAD.

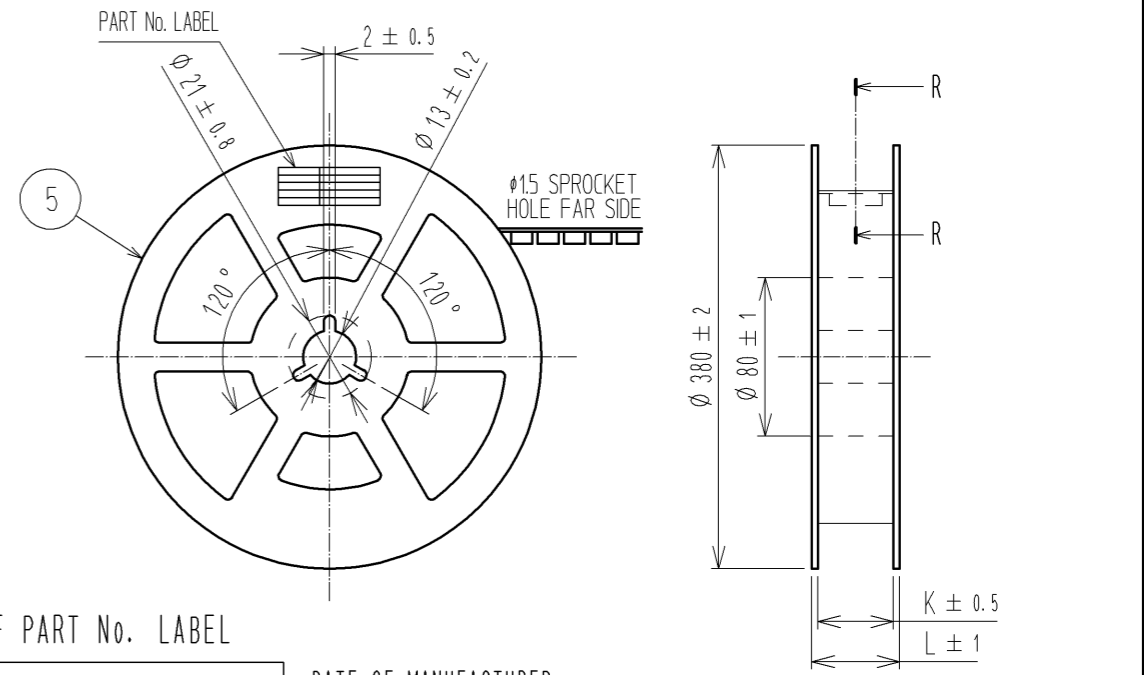
| | | |
|------------|-------------|-------------------------|
| HRS | DRAWING NO. | EDC3-322328-04 |
| | PART NO. | BM14B(0.8)-*DP-0.4V(51) |
| | CODE NO. | CL684 |
| | | 2/3 |

EMBOSSED CARRIER TAPE PACKAGING (5:1)

STYLE AND DIMENTION OF REEL (FREE)



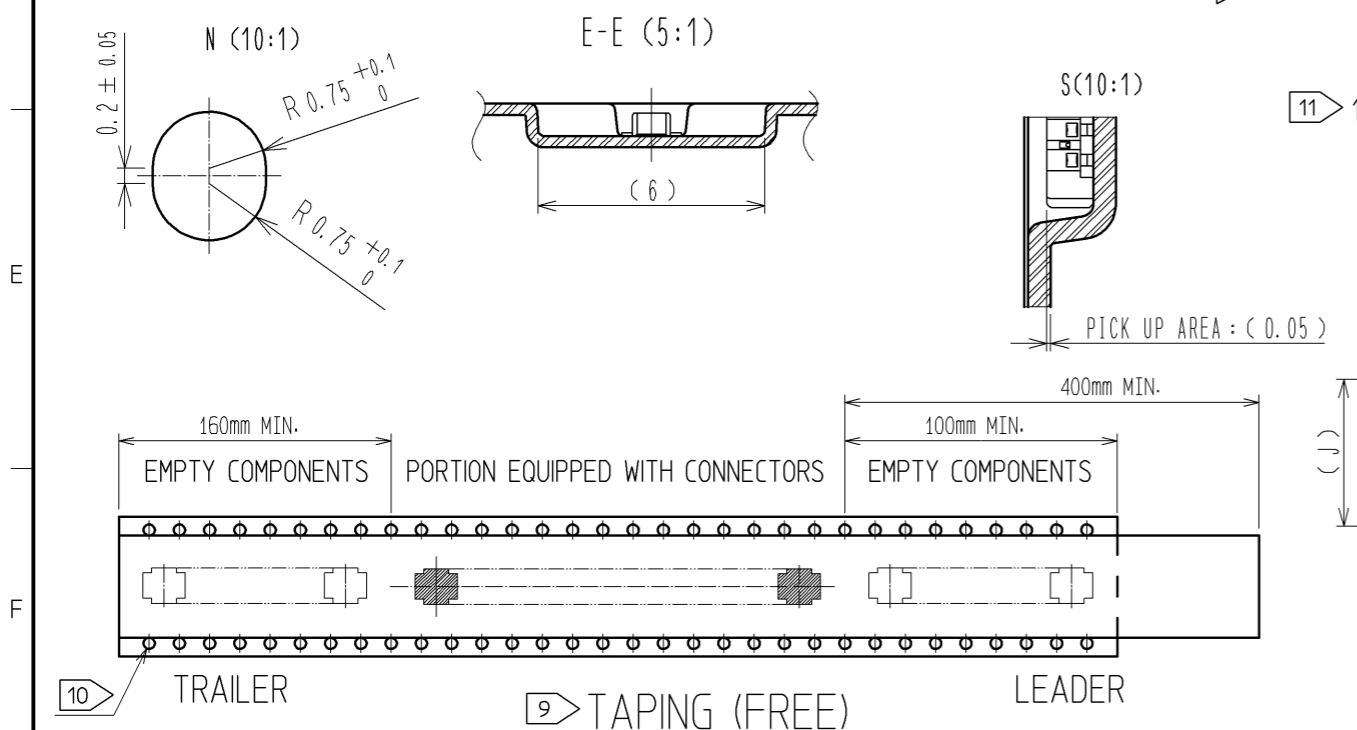
D-D (5:1)



DETAIL OF PART No. LABEL

| | |
|-------|-------------------------|
| 製造年月日 | ** ** * |
| 製品コード | CL684-****-**-** |
| 製品名 | BM14B(0.8)-*DP-0.4V(51) |
| 数量 | 8,000 |
| 納入者 | ヒロセ電機(株) |

DATE OF MANUFACTURED
CODE No.
PART No.
QUANTITY
SUPPLIER



| PART No. | F | G | H | J | K | L | M |
|--------------------------|----|------|-------|-------|------|------|---|
| BM14B(0.8)-10DP-0.4V(51) | 12 | 5.5 | — | 3.88 | 13.5 | 17.5 | — |
| BM14B(0.8)-12DP-0.4V(51) | 12 | 5.5 | — | 4.28 | 13.5 | 17.5 | — |
| BM14B(0.8)-20DP-0.4V(51) | 16 | 7.5 | 2.77 | 5.88 | 17.5 | 21.5 | — |
| BM14B(0.8)-22DP-0.4V(51) | 16 | 7.5 | 3.17 | 6.28 | 17.5 | 21.5 | — |
| BM14B(0.8)-24DP-0.4V(51) | 16 | 7.5 | 3.57 | 6.68 | 17.5 | 21.5 | — |
| BM14B(0.8)-30DP-0.4V(51) | 24 | 11.5 | 4.77 | 7.88 | 25.5 | 29.5 | — |
| BM14B(0.8)-34DP-0.4V(51) | 24 | 11.5 | 5.57 | 8.68 | 25.5 | 29.5 | — |
| BM14B(0.8)-40DP-0.4V(51) | 24 | 11.5 | 6.77 | 9.88 | 25.5 | 29.5 | — |
| BM14B(0.8)-50DP-0.4V(51) | 24 | 11.5 | 8.77 | 11.88 | 25.5 | 29.5 | — |
| BM14B(0.8)-60DP-0.4V(51) | 24 | 11.5 | 10.77 | 13.88 | 25.5 | 29.5 | — |

- 7. PER REEL 8000 CONNECTORS.
- 8. THE DIMENSIONS IN PARENTHESES ARE FOR REFERENCE.
- 9. REFER TO JIS C 0806(PACKAGING OF COMPONENTS FOR AUTOMATIC HANDLING)
- 10. EMBOSSED CARRIER TAPE USED ON 10 TO 60 POSITIONS HAS THE SPROCKET HOLE ON ONE SIDE.
- 11. 10 POS AND 12 POS POCKET SHAPE ARE AS SHOWN IN THE FIGURE.
- 12. AFTER PACKAGING, ROLL 2 METERS OF THE REINFORCEMENT COLLAR TO OUTER CIRCUMFERENCE OF TAPE AND REEL POCKET, AND TAPE DOWN AT THE END THE COLLAR.

| | | |
|------------|-------------|-------------------------|
| HRS | DRAWING NO. | EDC3-322328-04 |
| | PART NO. | BM14B(0.8)-*DP-0.4V(51) |
| | CODE NO. | CL684 |
| | | 3/3 |

Apr.1.2017 Copyright 2017 HIROSE ELECTRIC CO., LTD. All Rights Reserved.