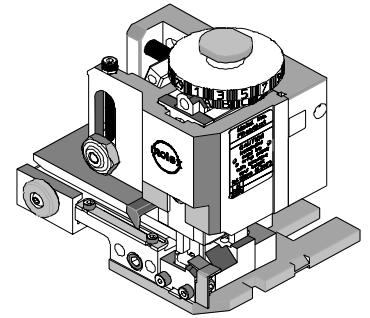




**FineAdjust Applicator  
Specification Sheet  
Part No. 63864-1000**



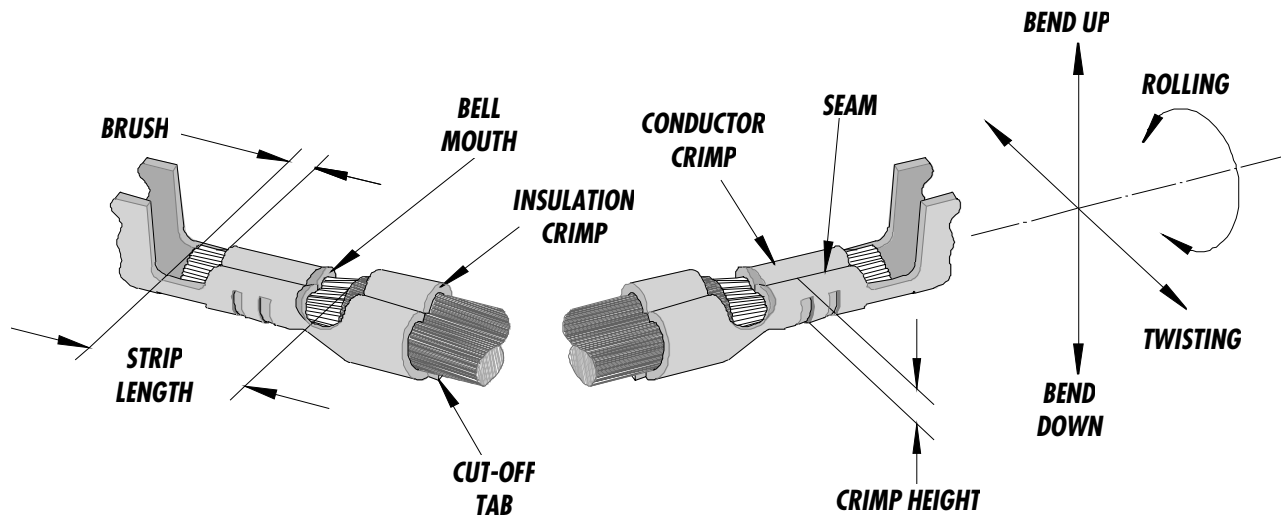
**FEATURES**

- Quick punch removal with the push of a button for fast and easy tooling change
- Applicator designed to industry standard mounting and shut height 135.80mm (5.346")
- Quick set-up time; plus the crimp height, track and feed adjustments can be set without removing the applicator from the press
- Fine adjustment allows users to achieve target with little effort by adjusting in increments of 0.15mm (.0006") for conductor crimp height and .063mm (.0025") for insulation height
- Independent adjustment rings allow users to quickly adjust the conductor or insulation crimp height without affecting each other
- Directly adapts to most automatic wire processing machines

**SCOPE**

Terminal Series No.	Wire Size		Insulation Diameter		Strip Length	
	AWG	mm <sup>2</sup>	mm	In.	mm	In.
5479	22-28	0.35-0.08	1.20-1.80	.047-.071	1.20-3.00	.047-.118

**DEFINITION OF TERMS**



*The above terminal drawing is a generic terminal representation. It is not an image of a terminal listed in the scope.*

**CRIMP SPECIFICATION**

Terminal Series No.	Bell mouth		Cut-off Tab Max.		Conductor Brush	
	mm	In.	mm	In.	mm	In.
5479	0.10-0.40	.004-.016	0.30	.012	0.00-1.20	.000-.047

Terminal Series No.	Bend up	Bend down	Twist	Roll	Punch Width (Ref)				Seam Seam shall not be open and no wire allowed out of the crimping area
	Degree		Degree		Conductor		Insulation		
					mm	In	mm	In	
5479	3	3	4	5	1.40	.055	1.80	.071	

*After crimping, the conductor profile should measure the following.*

Terminal Series No.	Wire Size		Crimp Height		Pull Force Min.	
	AWG	mm <sup>2</sup>	mm	In.	N	Lb.
5479	22	0.35	0.77-0.85	.030-.033	39.1	8.80
5479	24	0.20	0.71-0.78	.028-.031	29.3	6.60
5479	26	0.12	0.66-0.72	.026-.028	19.6	4.40
5479	28	0.08	0.63-0.69	.025-.027	9.8	2.20

*Pull Force should be measured with no influence from the insulation crimp.*

*The above specifications are guidelines to an optimum crimp.*

**PARTS LIST**

<b>Item</b>	<b>Order No</b>	<b>Engineering No.</b>	<b>Description</b>	<b>Quantity</b>
	<b>63864-1000</b>	<b>63864-1000</b>	<b>FineAdjust Applicator (Fig. 1)</b>	<b>REF</b>
<b>1</b>	<b>63444-1405</b>	<b>63444-1405</b>	<b>Conductor Punch</b>	<b>1 Y</b>
<b>2</b>	<b>63445-1415</b>	<b>63445-1415</b>	<b>Conductor Anvil</b>	<b>1 Y</b>
<b>3</b>	<b>63446-1806</b>	<b>63446-1806</b>	<b>Insulation Punch</b>	<b>1 Y</b>
<b>4</b>	<b>63445-1810</b>	<b>63445-1810</b>	<b>Insulation Anvil</b>	<b>1 Y</b>
<b>5</b>	<b>63443-0002</b>	<b>63443-0002</b>	<b>Cut-Off Plunger</b>	<b>1 Y</b>
<b>6</b>	<b>63443-0012</b>	<b>63443-0012</b>	<b>Front Plunger Retainer</b>	<b>1 Y</b>
<b>7</b>	<b>11-18-4083</b>	<b>60707-8</b>	<b>Front Cover</b>	<b>1</b>
<b>8</b>	<b>11-24-1067</b>	<b>4996-4</b>	<b>Cut-off Plunger Spring</b>	<b>1</b>
<b>9</b>	<b>11-40-4039</b>	<b>8302-5</b>	<b>Front Plunger Striker</b>	<b>1</b>
<b>10</b>	<b>63443-0009</b>	<b>63443-0009</b>	<b>Scrape Chute</b>	<b>1</b>
<b>11</b>	<b>63443-0021</b>	<b>63443-0021</b>	<b>Lower Tooling Key</b>	<b>1</b>
<b>12</b>	<b>63443-2418</b>	<b>63443-2418</b>	<b>Anvil Mount</b>	<b>1</b>
<b>13</b>	<b>63443-4017</b>	<b>63443-4017</b>	<b>Wire Stop</b>	<b>1</b>
<b>14</b>	<b>63443-6003</b>	<b>63443-6003</b>	<b>Rear Cover</b>	<b>1</b>
<b>15</b>	<b>63800-4900</b>	<b>63800-4900</b>	<b>Fine Adjust Applicator Frame</b>	<b>1</b>
<b>16</b>	<b>N/A</b>	<b>N/A</b>	<b>M3 by 6Lg. SHCS</b>	<b>2**</b>
<b>17</b>	<b>N/A</b>	<b>N/A</b>	<b>M4 by 6Lg. SHCS</b>	<b>1**</b>
<b>18</b>	<b>N/A</b>	<b>N/A</b>	<b>M4 by 12Lg. BHCS</b>	<b>2**</b>
<b>19</b>	<b>N/A</b>	<b>N/A</b>	<b>M4 by 16Lg SHCS</b>	<b>1**</b>
<b>20</b>	<b>N/A</b>	<b>N/A</b>	<b>M4 by 20Lg. SHCS</b>	<b>1**</b>
<b>21</b>	<b>N/A</b>	<b>N/A</b>	<b>M4 by 50Lg. SHCS</b>	<b>1**</b>
<b>22</b>	<b>N/A</b>	<b>N/A</b>	<b>3MM by 6Lg. Roll Pin</b>	<b>1**</b>
<b>23</b>	<b>N/A</b>	<b>N/A</b>	<b>#10-32 by 1/4"Lg. BHCS</b>	<b>1**</b>
	<b>63864-1070</b>	<b>63864-1070</b>	<b>Tool Kit (All Y Items)</b>	<b>REF</b>

**\*\* The following purchased parts are available from an Industrial supply company such as MSC (1-800-645-7270).**

Assembly Drawing

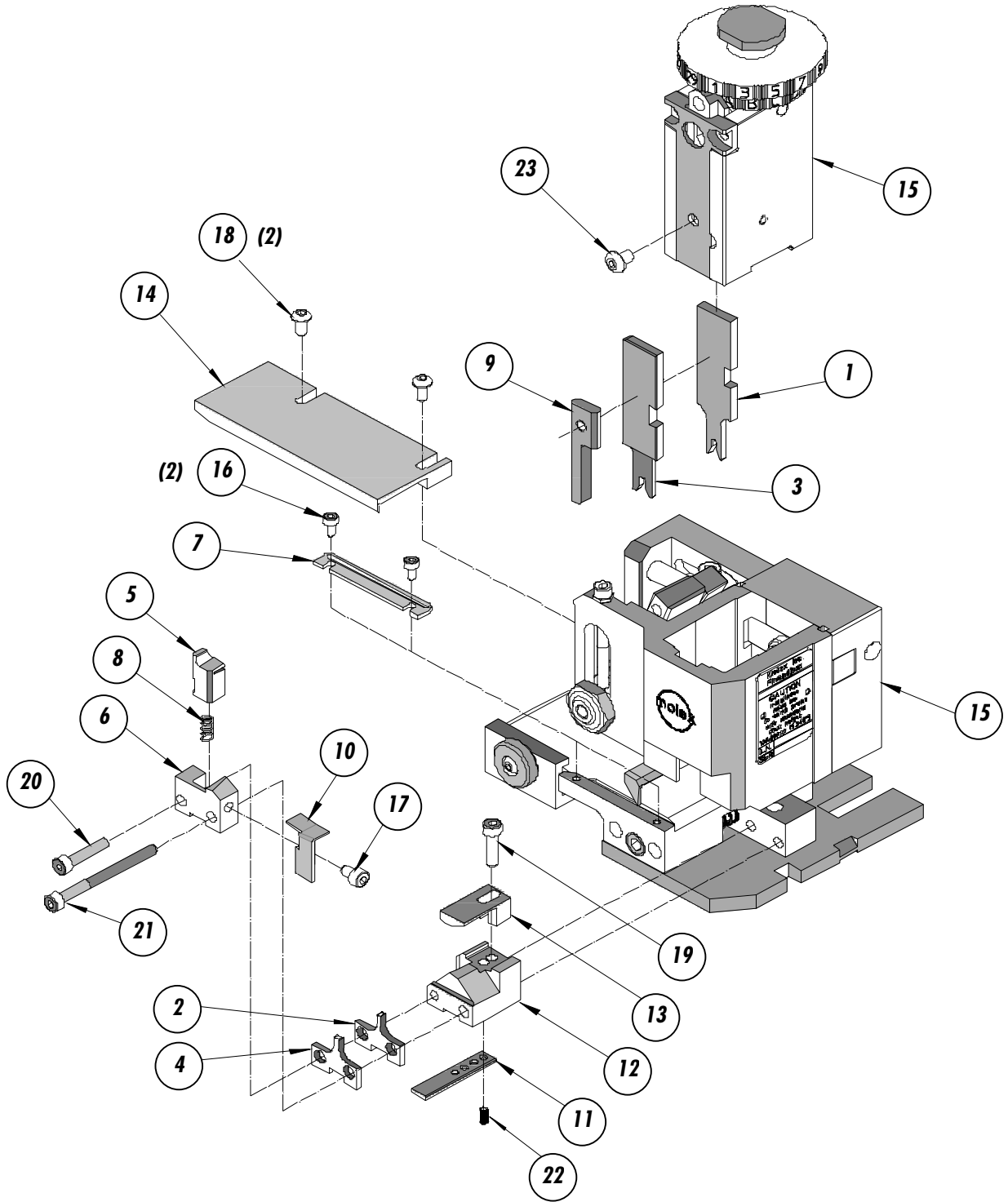


Figure 1

## NOTES

1. Molex recommends an extra perishable tooling kit be maintained at your facility.
2. Verify tooling alignment by manually cycling the press and Applicator before crimping under power. Check that all screws are tight.
3. Slugs, Terminals, Dirt and Oil should be kept clear of work area.
4. Wear safety glasses at all times.
5. For recommended maintenance refer to the FineAdjust Manual.

**CAUTION:** This applicator should only be used in a press with a shut height of 135.8 mm (5.346"). Tooling damage could result at a lower setting.

**CAUTION:** To prevent injury never operate this Applicator without the guards supplied with the press or wire-processing machine in place. Reference the press or wire processing manufacturer's instruction manual.

**CAUTION:** Molex crimp specifications are valid only when used with Molex terminals, applicators and tooling.

**Molex Application Tooling Group**  
1150 E. Diehl Road  
Naperville, IL 60563  
Tel: (630) 969-4550  
Fax: (630) 505-0049

Visit our Web site at <http://www.molex.com>